



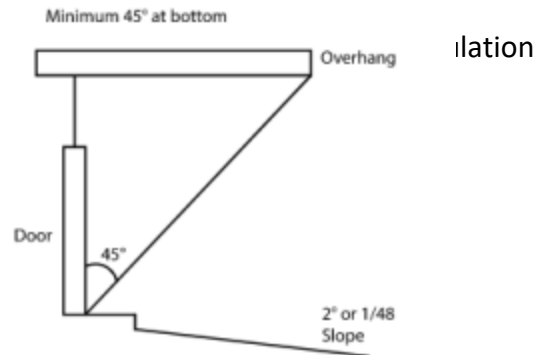
Pivot Door Install Instructions

Materials for Installation

- Provided: Head, jambs, sill, frame covers, panel, anchoring screws (#10 x 2.5" pan head) and masonry plugs
- Other: Waterproof flashing membrane, shims, backer rod, foam, window/door installation sealant

Unbox and Opening Preparation

Before purchasing and installing, verify performance of product meets the requirements of the application and region. Not all products or sill types are rated for water performance. To reduce the likelihood of water infiltration where application exceeds product performance, install doors under an overhang that extends to meet a 45° line from the door sill and slope the exterior 2 degrees away from the door or use a stepdown.

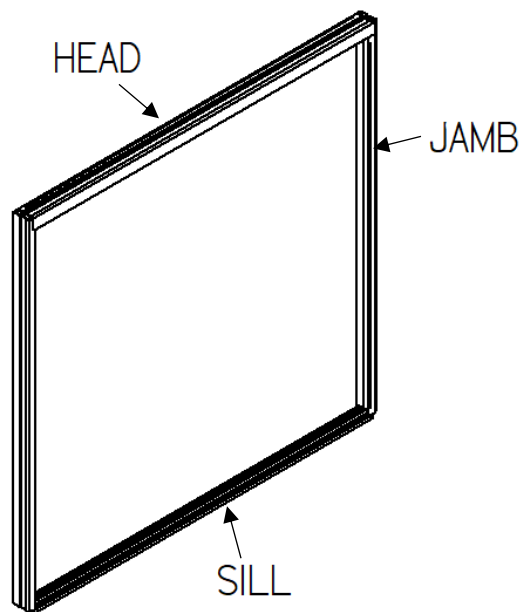
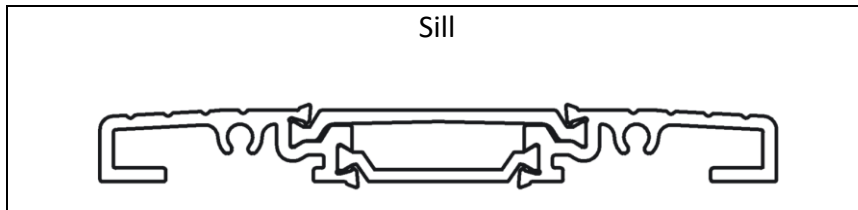


1. Check the Rough Opening for the unit and verify that there is adequate clearance to insert the frame into the opening.
 - a. To Ensure proper operation:
 - 1.A. Prior to installation, inspect the rough opening to ensure it is plumb, level, and square. Confirm sill subfloor is level, using shims as needed
 - 1.B. Header must be designed to bear the weight of all building (roofing) and construction loads. Maximum allowable header deflection of 1/8" over total span of the opening.
 - 1.C. Check the Rough Opening for the unit and verify that there is adequate clearance to insert the frame into the opening
2. Unwrap bundled frame:
 - a. Ensure that all required parts are present: 1 Head, 1 Right Jamb, 1 Left Jamb, 1 Sill, and 4 head/jamb covers – Cross-sections are shown in the table below.

Head	Jamb	Jamb/Head Cover



Pivot Door Install Instructions



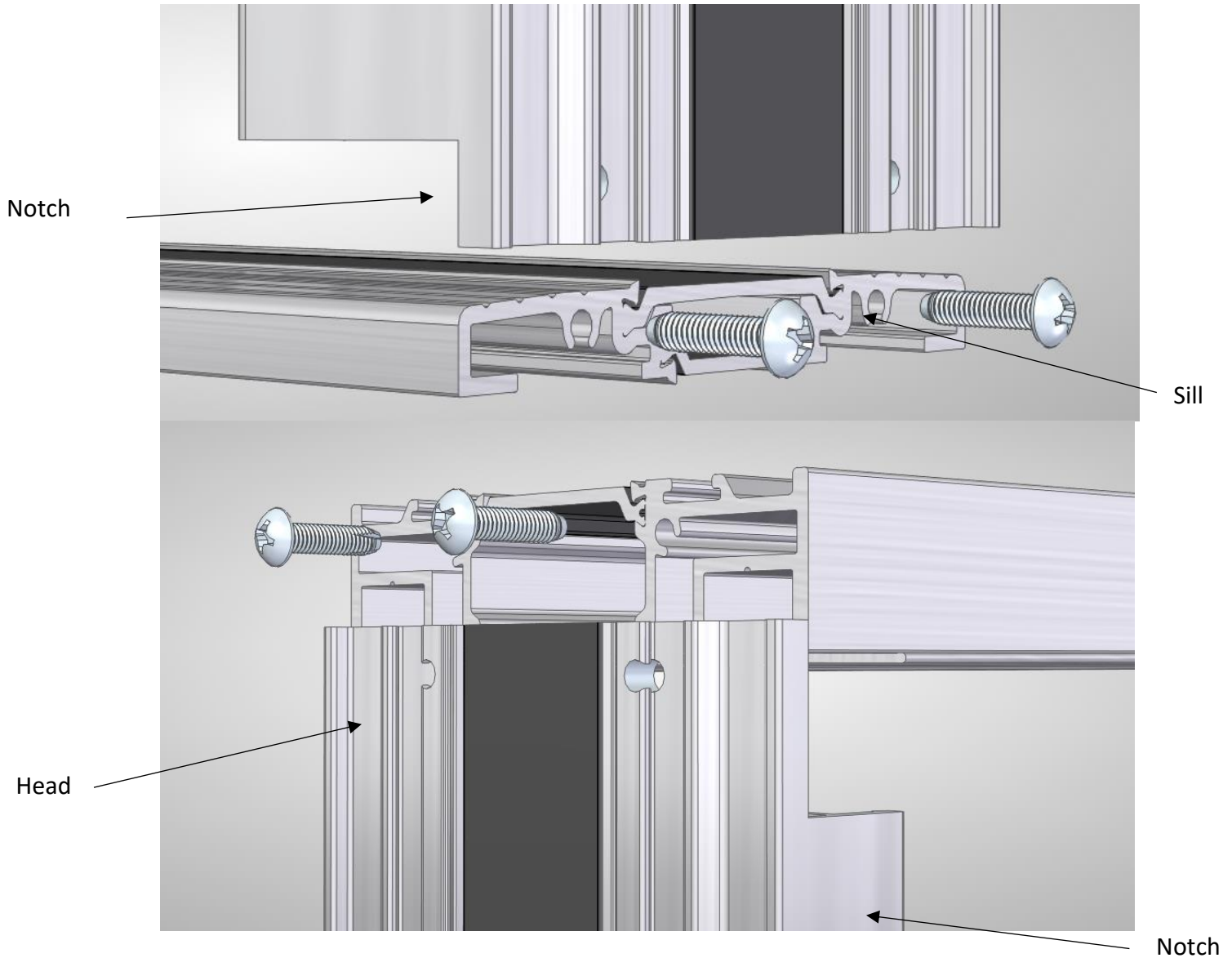
- b. Ensure that the Jambs have weatherstrips inserted along the entire length of the part.

Frame Assembly

1. On a level surface, lay out the frame's head with the jamb placed securely in the notch made for the head. Silicone all mating surfaces
2. Align the left or the right jamb holes to the head and secure it in place with #10-32 screws.
 - Repeat the same process on the sill.



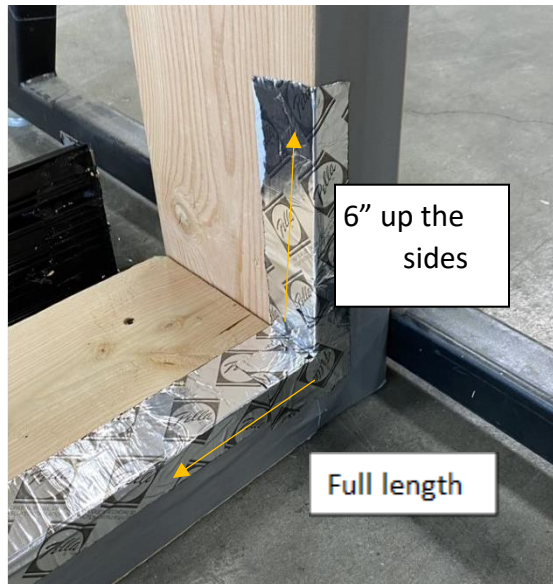
Pivot Door Install Instructions



Opening Preparation

1. Ensure clean bearing surfaces so the frame may be caulked and sealed to the opening. Scarpe, sand and fill caps as required.
2. Use flashing membrane to fully cover the sill exterior surface and extend flashing membrane 6" into the jambs.

Pivot Door Install Instructions



3. Extend flashing membrane towards the interior to fully cover the sill opening surface.



4. Apply a generous bead of sealant across the entire length of the sill and up to 6" into the jamb on the **interior** side of the opening. Also, place sealant across the corner of the opening similar to the picture below.



Pivot Door Install Instructions

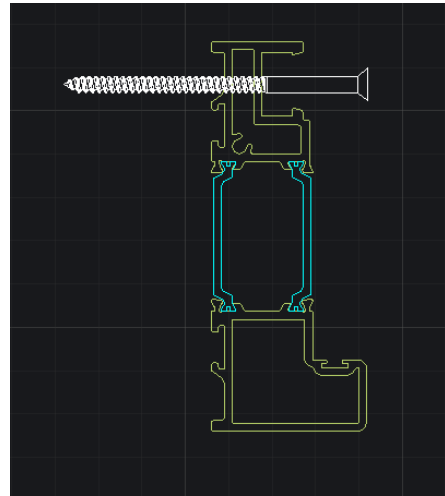
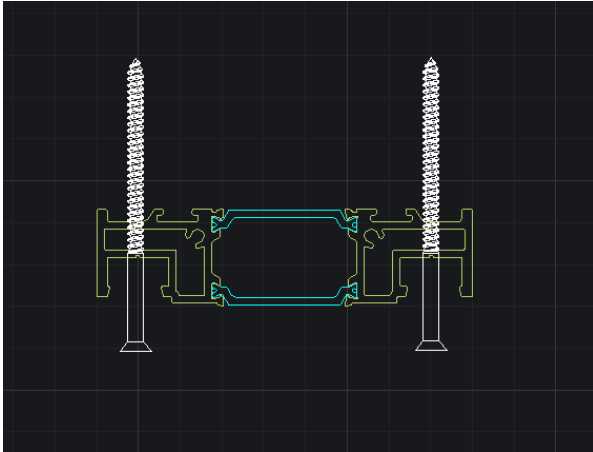


Install Into Opening

NOTE (if predrilling into concrete is necessary) we recommend

- a. Dry installing the frame in it's the location in the opening and marking sill pivot through hole locations.
- b. Remove the frame and drill the pilot holes for concrete anchors.
1. Place the frame into the opening and hold with shims or a temporary anchor while leveling, plumbing, and squaring the frame.
2. Anchor the frame with the recommended anchors, through the screw paths highlighted below.
 - a. Screw Spacing
 - i. 6" from each corner, 15" OC
3. The floor pivot support will need to be anchored into the structure using ¼" Flat Head Concrete anchors.
4. * NOTE* - Bottom pivot cover should not be applied until Pivot base is anchored with masonry screws

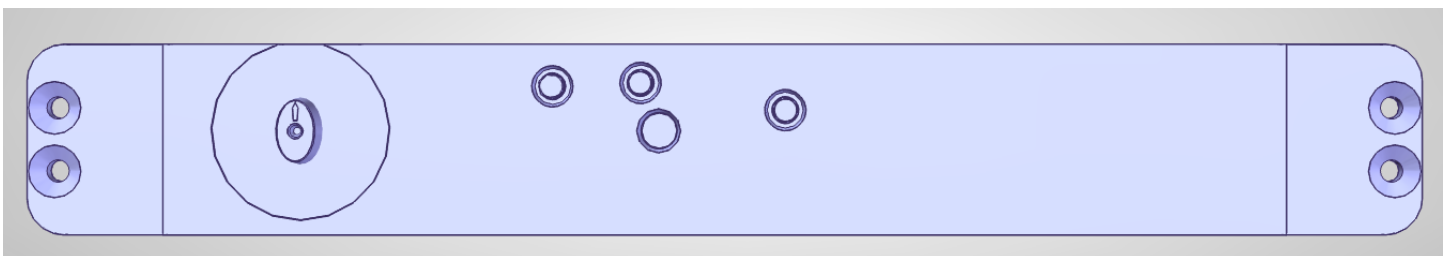
Pivot Door Install Instructions



- a. The head has two locations on the profile to accept anchors. It is recommended that, during installation, screws are alternated in each location to ensure that the door will remain level and square over time.
5. Ensure the frame is still level, plumb, and square.
6. Snap on frame anchor covers. Use a small amount of sealant on the covers to ensure there will be no metal-to-metal rattle when the door is operated.
7. Seal perimeter frame for waterproofing using backer rod and recommended sealant.
8. Inspect frame one more time to make sure there are no cosmetic or structural problems and is ready for the panel.

Installing the Panel

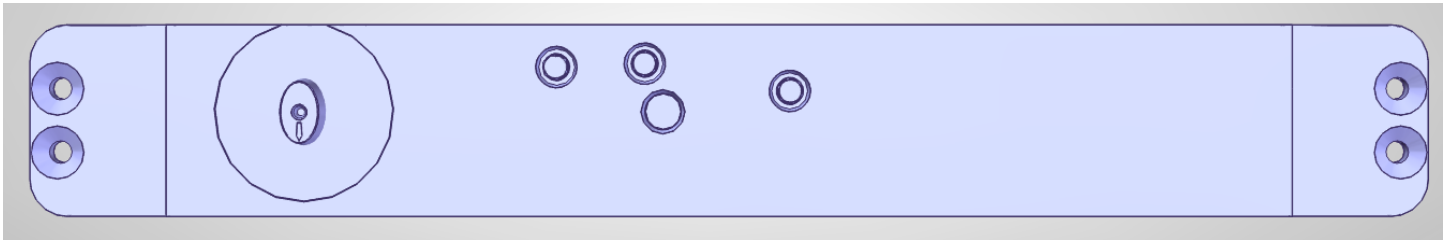
1. Panels will come with some of the hardware installed and some loose as it will make the panel installation easier.
2. Use the provided Fritsjurgens adhesive on the back of the Fritsjurgens bottom pivot mount, then press fit into the sill plate that is anchored into the structure.



- Pivot Right Outswing / Pivot Left Inswing



Pivot Door Install Instructions

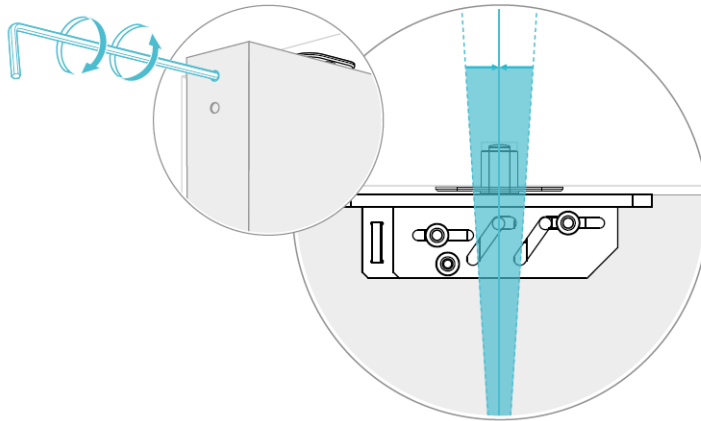


- Pivot Right Inswing / Pivot Left Outswing
3. Bring the panel to the installed frame and set the panel into the frame in the opened position, pivot hardware will be preloaded in this orientation
 4. Lean the panel up so that the top rail aligns with the head pivot support.
 - a. Note: the supplied hex key is only 280mm (~11") long, if the pivot is greater than 12" away from the edge of the panel, a longer hex key is required or the Fritsjurgens Hexagon Guide. *Possibly included*
 5. Slide the long hex key through the stile until you contact the top pivot that is mounted in the top rail. The bottom hole on this hardware dictates how protruded the top pivot is.
 6. Turn the key clockwise until you see the top pivot fully extended into the head support.
 7. The panel has two roller catches to help retain the panel in the frame when the lock is not engaged. From the factory, they are adjusted all the way down.
 - a. To adjust the roller catch, turn the two screws on the face of the roller catch.
 - b. This should be done in sync with the other screw to not put an angle on the roller.
 - c. Adjust and test until the roller catches and pivot hardware retain the door at the desired functionality.

Adjustments and Finishing Touches

1. Ensure the panel sits flush in the frame.
 - a. The bottom pivot (sitting on the sill) has four (3mm) hex keys that will allow for +/- 2.5 degrees to ensure the door will close to the point it should.
 - b. There is also an adjustment in the top rail pivot that will allow installer to adjust if the panel is tilted in the opening. Using the same hex key that was used to activate the top pivot during installation use the top hole to adjust the panel.

Pivot Door Install Instructions



2. Make sure the panel operates as expected.

Adjustment Guide



1. The Fritsjurgens hardware that is inside the panel has three adjustment points. The adjustment tool is included in the kit of auxiliary parts.
 - a. The left most point (closest to the pivot) adjusts the latching mechanism, which is the last 10° of the operation.
 - b. The middle point adjusts the damper (back-check), which is how the door acts prevent slamming into a wall when opened to its most extreme +80°.
 - c. The right most point adjusts the closing speed.
2. The Fritsjurgens box that was provided with the unit will have other documentation to adjust the pivot door if necessary.
3. Or follow the QR code/website link below for the Fritsjurgens instructions
4. [Downloads Fritsjurgens - Fritsjurgens Documentation](#)



Pivot Door Install Instructions

