
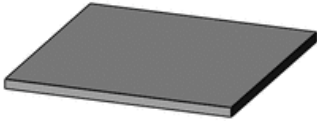

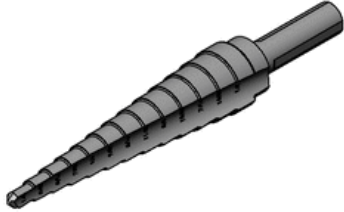






## Bifold Install Instructions

### Bill of Materials for Installation

<p>Backer Rod (0.25" suggested) 01'=-</p> 	<p>Flashing Membrane (0.265" suggested)</p> 	<p>Perimeter Caulk (recommended per AAMA specifications)</p> 
<p>Stepped Hole Bit – up to ½"</p> 	<p>Shims</p> 	<p>Masonry Plugs for No 10 anchors (If anchoring into concrete)</p> 
<ul style="list-style-type: none"> <li>• Recommend at least No 10 x 3" bolts to adequately provide structure to the head</li> </ul> 	<p>Anchoring Fasteners – Minimum #10 – 3.5" recommended</p> 	

## Bifold Install Instructions

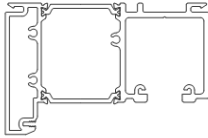
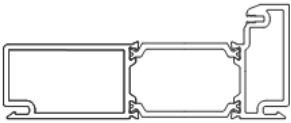
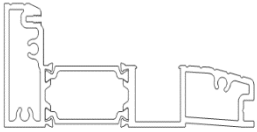
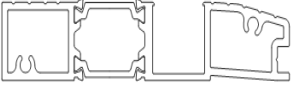

### Unbox and Opening Preparation

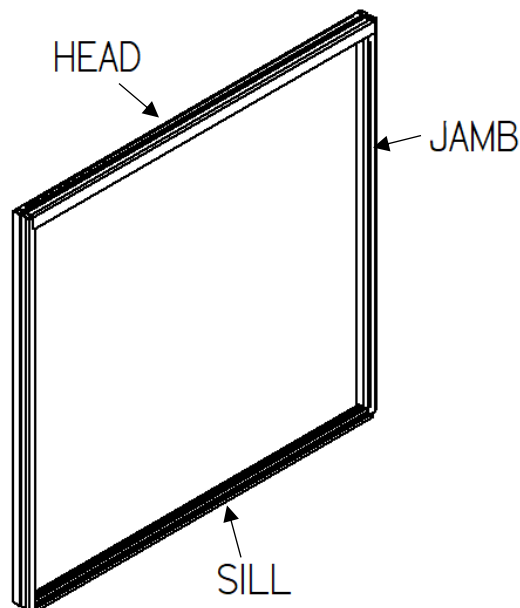
1. Check the Rough Opening for the unit and verify that there is adequate clearance to insert the frame into the opening.

**Note: This is a head-loaded product and should have adequate structure at the head.**

- a. To Ensure proper operation:
  - i Opening header must not bow into the opening and is less than 0.125" out of the level.
  - ii Opening sill must not be greater than 0.125" out of level.
2. Unwrap bundled frame:

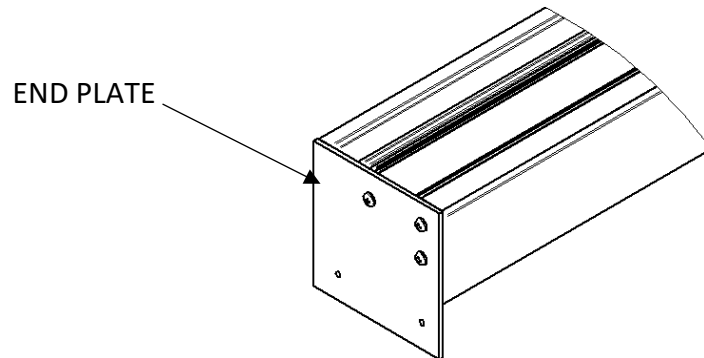
- a. Ensure that all required parts are present: 1 Head, 1 Right Jamb, 1 Left Jamb, and 1 Sill (Standard, Flush Sill, Or U-Channel) – Cross-sections are shown in the table below.

<p>Head</p> 	<p>Jamb</p> 	<p>Standard Sill</p> 
<p>Flush Sill</p> 	<p>U-Channel</p> 	



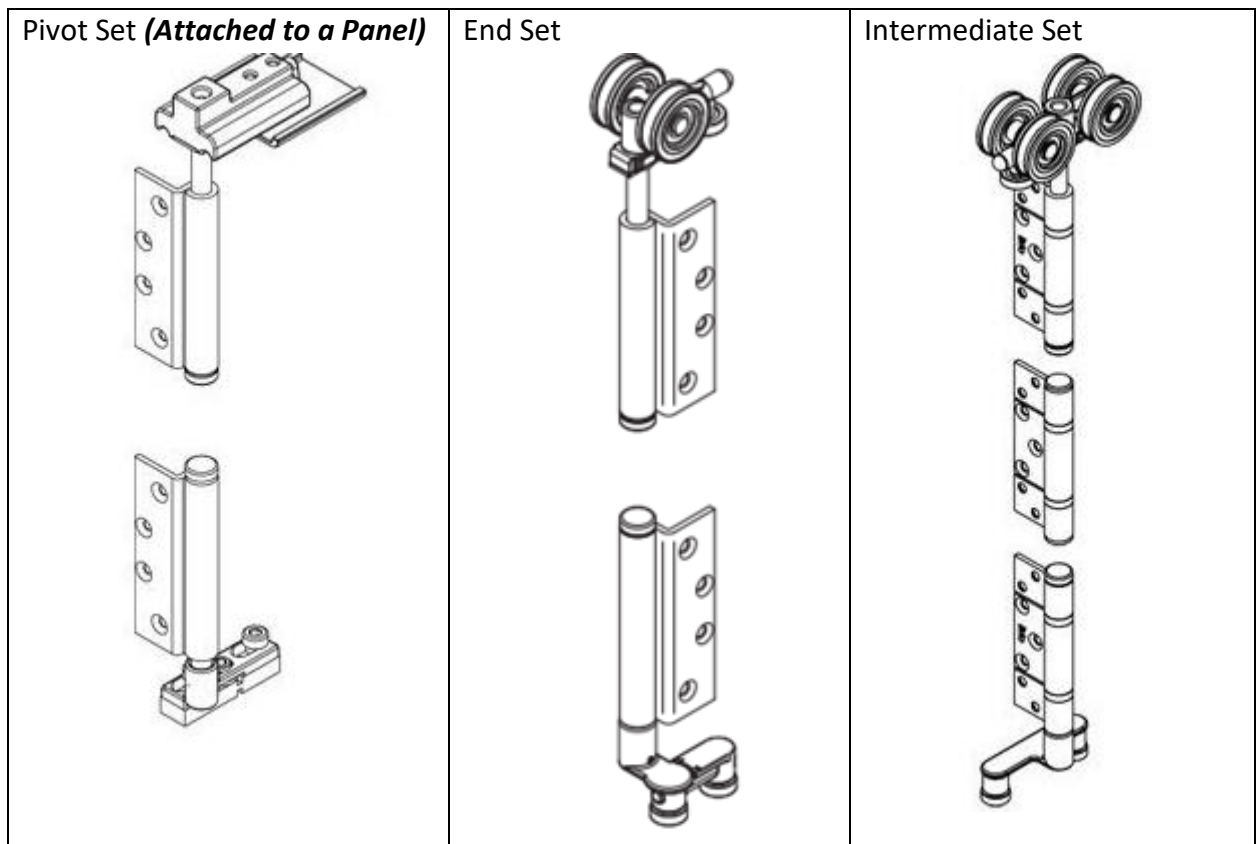
- b. Ensure the end plates on both ends of the Head and Sill (if applicable) are secured.

## Bifold Install Instructions

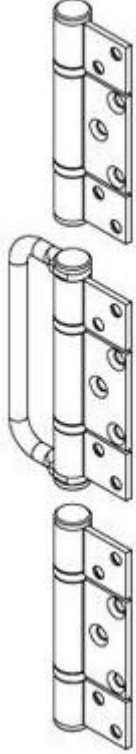
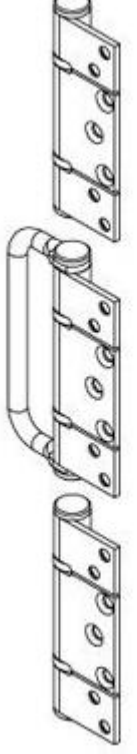
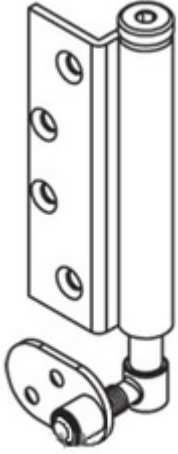





c. Ensure that the Head and the Jamb have weatherstrips inserted along the entire length of the part.

3. Ensure the supplied Hardware kit(s) contain the following pieces



## Bifold Install Instructions

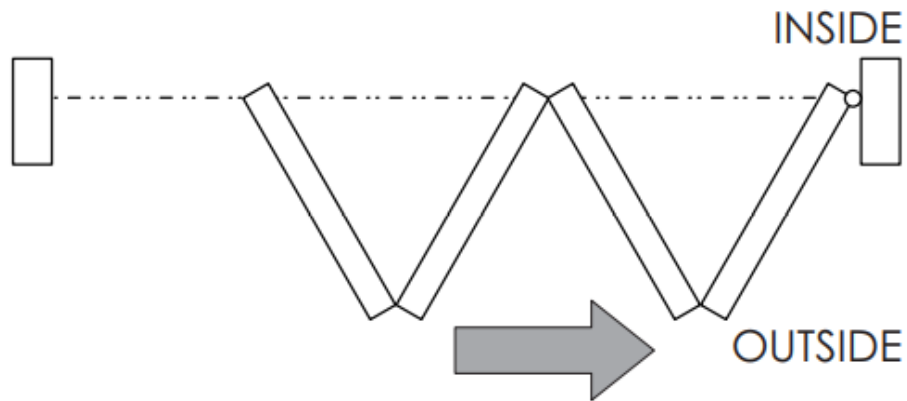
<p>Hinge Handle Set (<i>Attached to a Panel</i>)</p> 	<p>Offset Hinge Handle Set (<i>Attached to a Panel</i>)</p> 	<p>Jamb Pivot</p> 
<p>Additional Hinge Screws. #10 - 32 x 3/4".</p> 	<p>Inactive Strikes (2 per inactive panel)</p> 	<p>Frame assembly screws - #10 - 32 x 3/4" PH - Thread Forming Type F - (8 screws)</p> 

4. Determine the door configuration; Left Folding or Right Folding:

- To do so, count the number of panels and determine the direction in which they fold/stack looking at the door from an exterior view.

Ex: 4 panels that fold to the right side → 4R

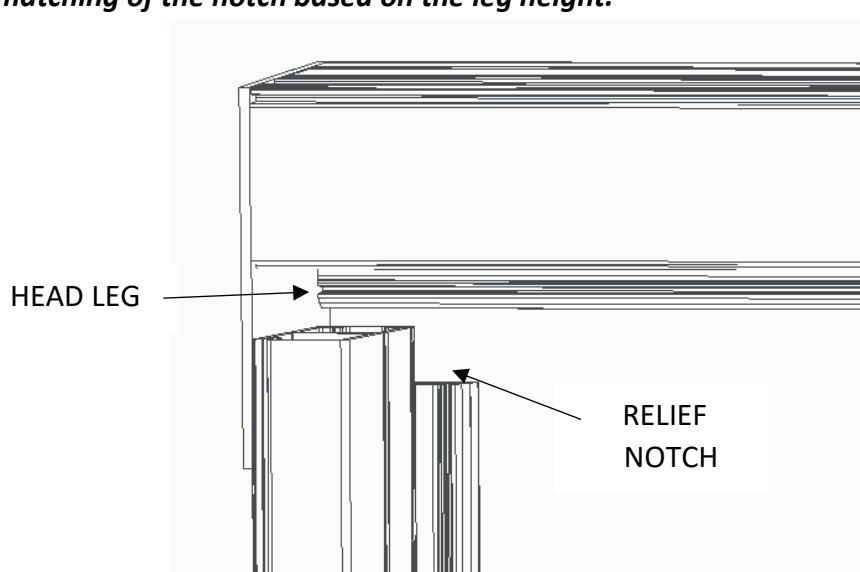
## Bifold Install Instructions



### Frame Assembly

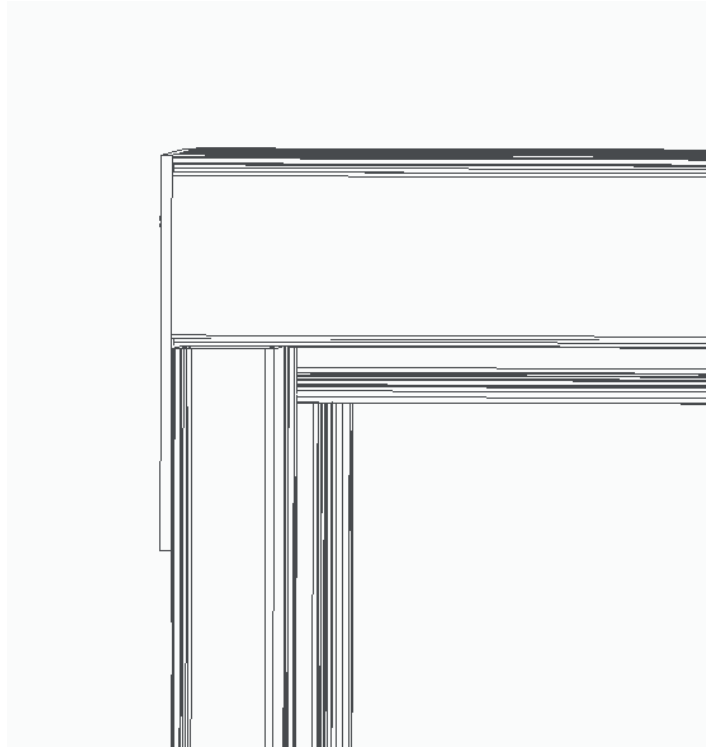
1. On a level surface, lay out the frame's head with the endplate securely fastened to each end.
2. Bring the left or the right jamb to the head and set it in place.
  - Match the relief notch on the jamb to the leg height on the head.

**Note: the jamb might have two different relief notches depending on the type of sill used. Ensure accurate matching of the notch based on the leg height.**



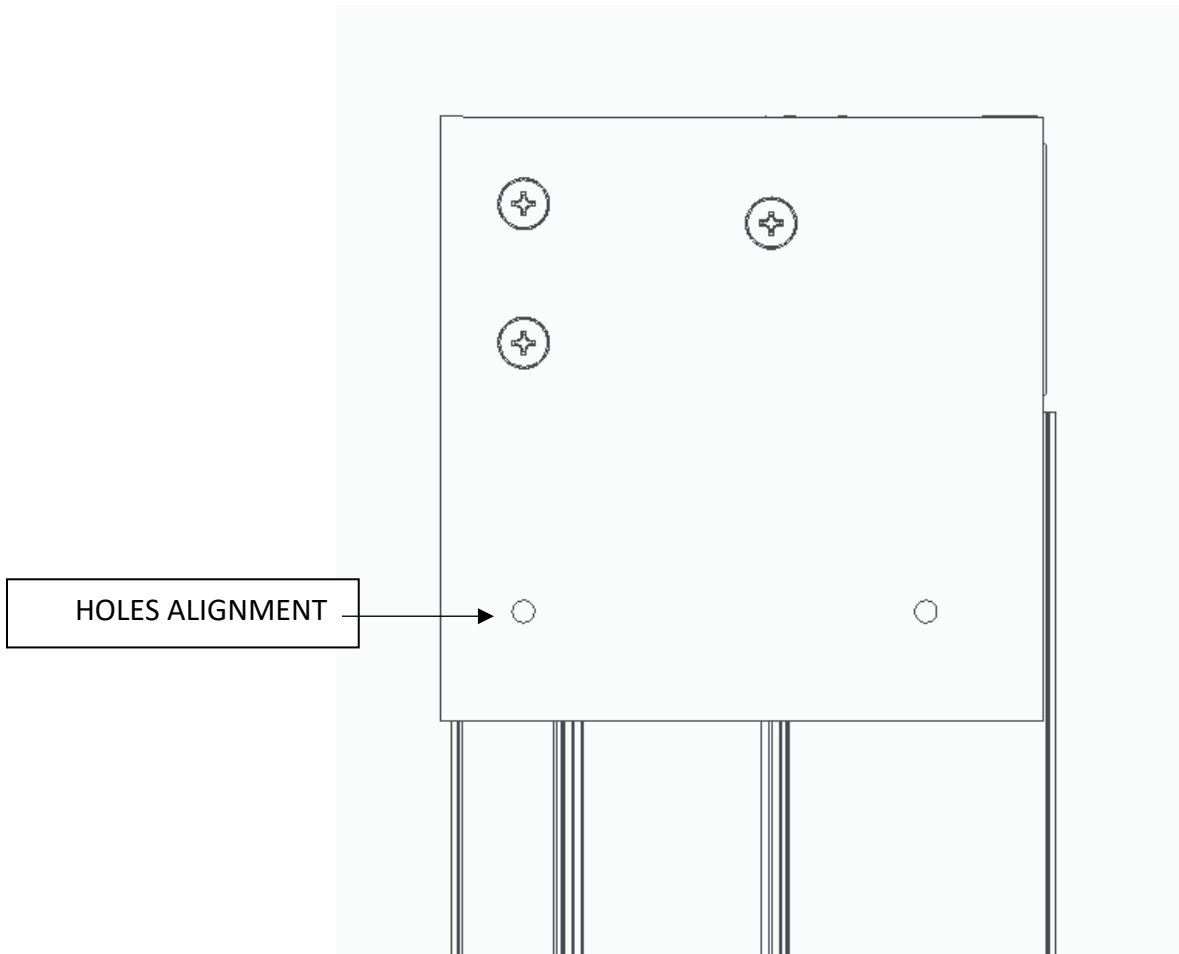
3. Justify the end of the jamb to the bottom surface of the head and the back of the jamb to the endplate.

## Bifold Install Instructions



4. Locate holes in the jamb and confirm alignment with the through holes on the endplate.

## Bifold Install Instructions

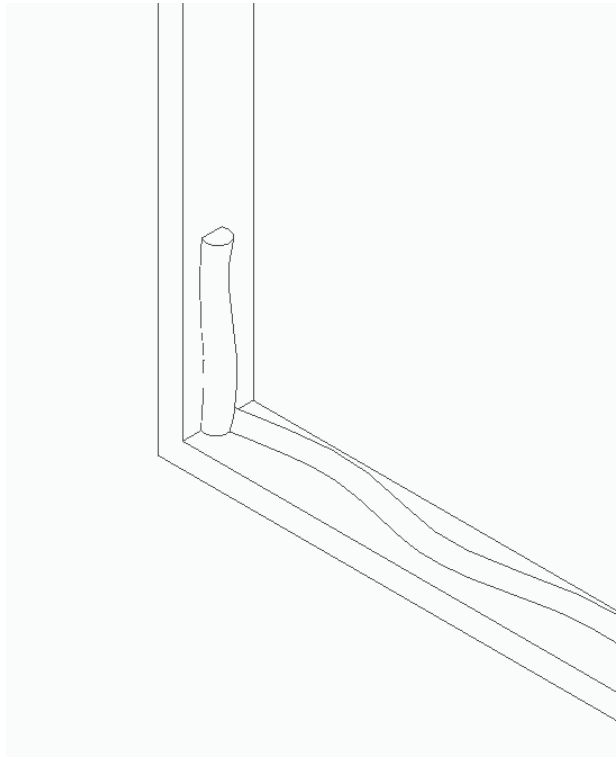


5. Seal on mating surfaces with AAMA-approved silicone to ensure a watertight joint.
6. Use provided frame assembly screws (#10 - ¾") to anchor through the endplate and into the backside of the jamb to secure the jamb to the head.
7. Repeat for another jamb-to-head connection
8. Repeat the process for the frame's sill on Standard and Flush Sill options.

### Install Into Opening

1. (IF SILL IS MASONRY MOUNTED, DO THIS PRIOR TO INSERTING FRAME INTO THE OPENING):
  - For the sill, remove the plastic guide channel (**U-Channel Only**), mark anchoring spots on the floor, and predrill anchor location prior to mounting the frame.
2. Apply a 3/8" bead of silicone across the width of the opening on the sill and 6-12" up the jambs.

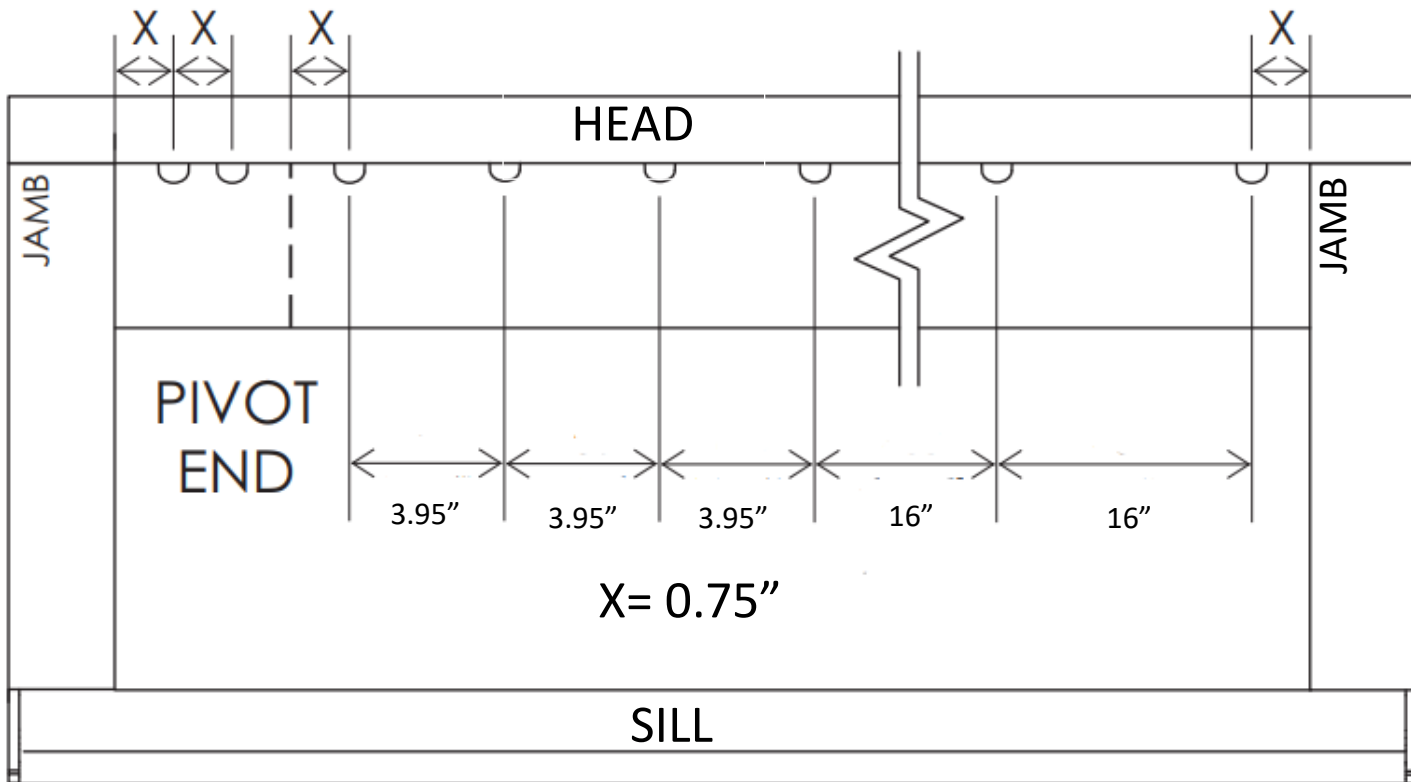
## Bifold Install Instructions



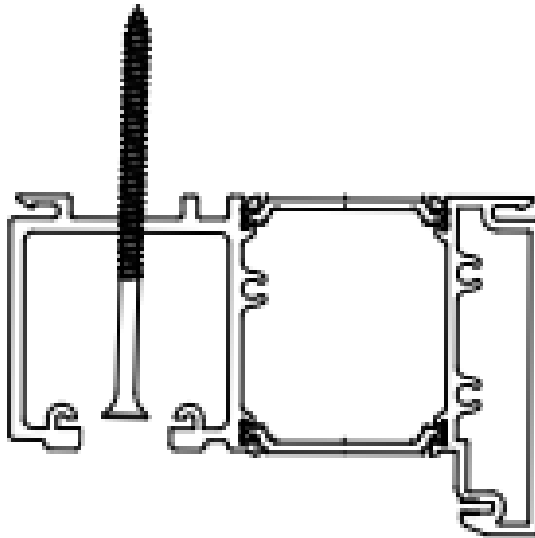
3. Place the frame into the opening and hold with shims or a temporary anchor while leveling, plumbing, and squaring the frame.
4. Locate the cutout on the head's Pivot side and dry fit the top pivot hardware. This cutout is for the insertion of the hardware.
5. All installation holes for securing the head into the header should be predrilled. However, if installation holes are missing, use the suggested hole locations below:
  - **To secure the head**, mark the following suggested anchoring locations on the frame's head as follows:
    - From the **pivot end**, measure and mark the locations of the holes following:
      - i. Two marks 0.75" towards jamb (Two Marks Total).
      - ii. One mark 0.75" away from the jamb once, then three marks at 4" intervals away from each other (Four Marks Total).
      - iii. After the initial 6 marks, make 16" on center to the end of the head or until you have a mark 0.75" from the opposite jamb.



## Bifold Install Instructions

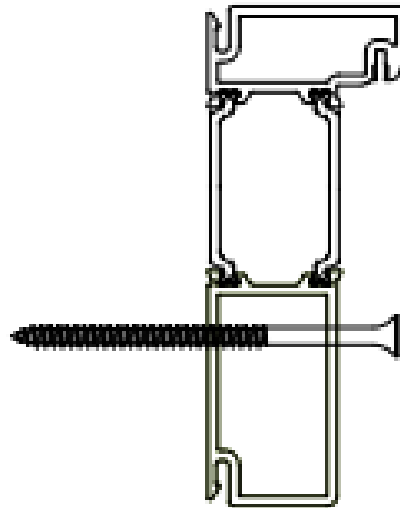


- Use recommended anchors (#10 - 3 ½") to secure the head to the header



- To secure the jambs**, measure, mark, and drill 4" from the corner and 16" OC on both jambs.
- Use recommended anchors (#10 - 3 ½") to secure jambs to the opening.
- Shim, plumb, level, and securely anchor the frame to the opening.

## Bifold Install Instructions

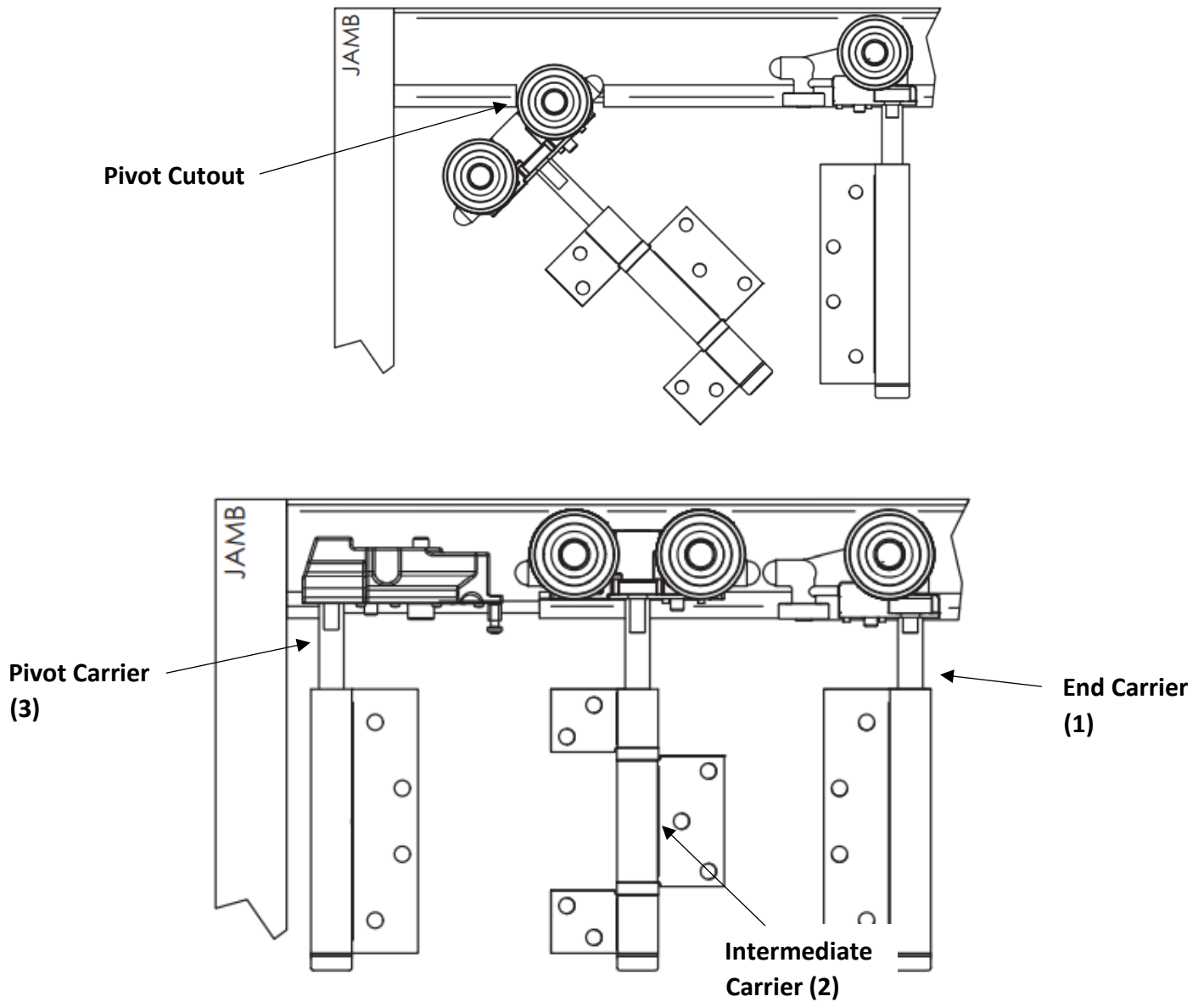


10. For the bottom placement of the sill pivot, mark 0.5" from the jamb to **the edge** of the sill pivot plate.
11. Secure the sill pivot using the attached installation screw.

### Hanging Panels

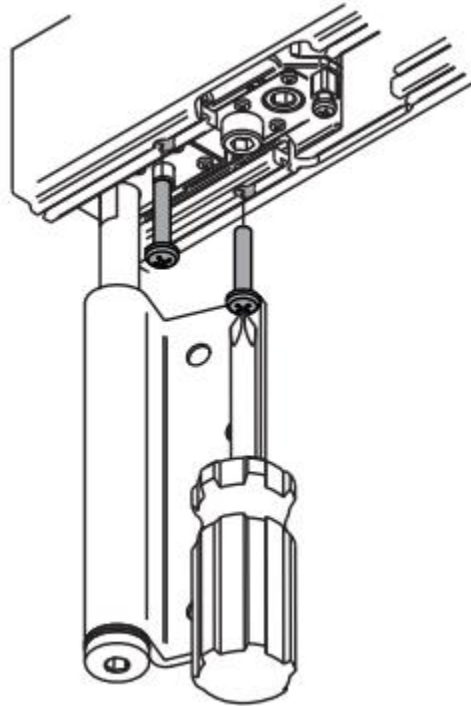
1. Panels will come with some of the hardware installed and some loose as it will make the panel installation easier.
2. Identify and locate all panels for the installation. You should have at least one pivot panel and one lead panel, the panels that remain are called intermediate panels.
3. Inserting Hardware Prior to Hanging Panels
  - a. It is critical that the hardware is inserted in proper order and is handled properly.
  - b. For configurations:
    1. with **Even** numbers (2L, 4R, 6L, etc.), the first hardware to insert is the End carrier.
    2. with **Odd** numbers (3L, 5R, 3R, etc.), the first hardware to insert is the Intermediate Carrier
  - c. For configurations with 4R/L or greater: Slide in the intermediate carrier.
  - d. Lastly, insert your pivot into the slot and anchor it through the two pilot holes in the head.

## Bifold Install Instructions

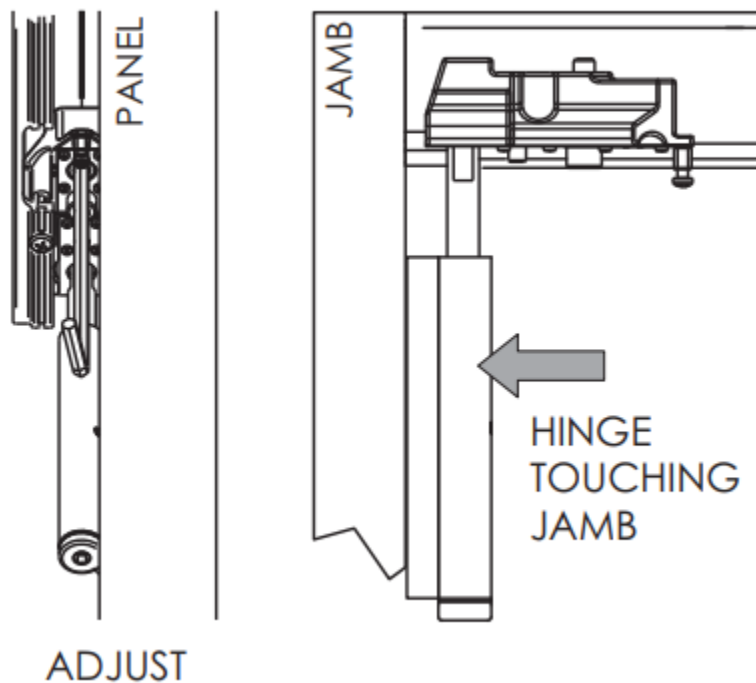


- e. After the insertions of hardware into the slot, anchor the Pivot carrier through the two pilot holes in the head.

## Bifold Install Instructions



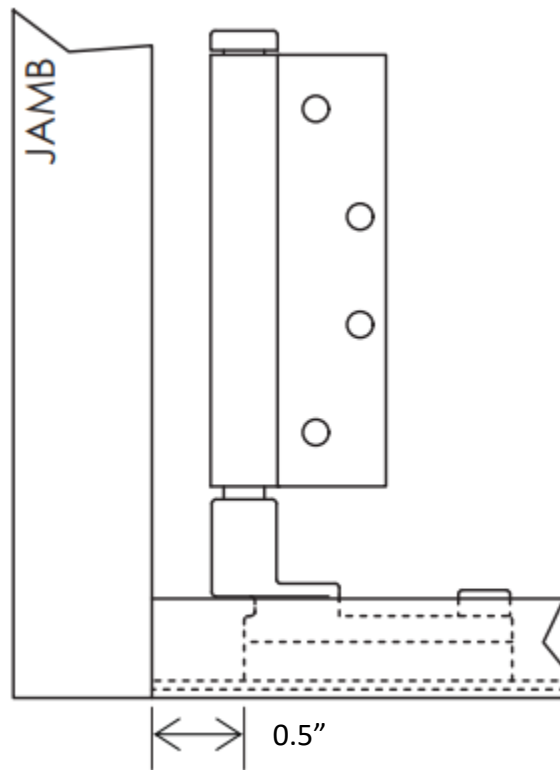
- f. Once the top pivot is installed, loosen the locking screw and turn the adjustment screw such that the top hinge is touching the surface of the jamb. (See *Brio* adjustment instructions for details).



- g. Tighten the locking screw  
4. Mount the bottom pivot:

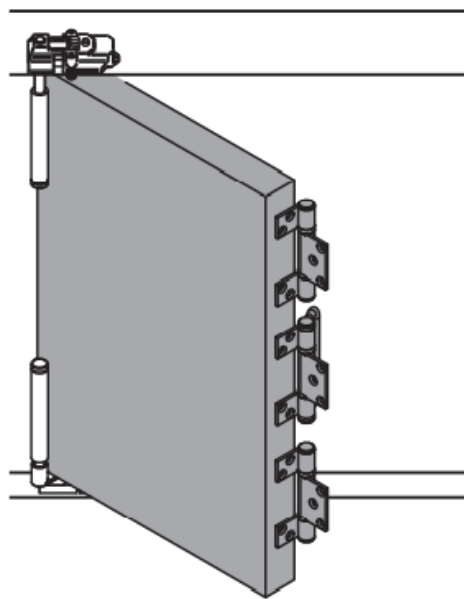
## Bifold Install Instructions

- a. The bottom side of the pivot panel will need to be kept in the channel, to do so, drill holes to anchor it in.
- b. Locate the jamb that will be closest to the pivot panel. Using the bottom pivot as a jig, locate the back face of the bottom pivot such that it is 0.5" off the surface of the frame.

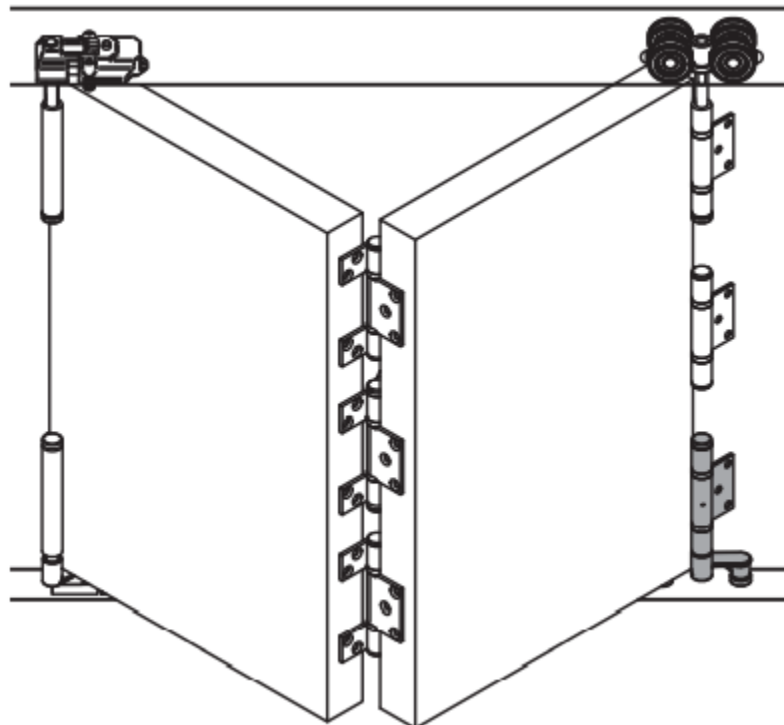


- c. Similar to the top pivot, loosen the lock screw on the bottom pivot and turn the adjustment screw until the back side of the hinge is touching the jamb.
  - d. Lock the adjustment screw.
5. Hanging Panels:
- a. Start with the pivot panel, mounting through the predrilled holes with the supplied hinge screws (#10-32 3/4") fasteners. Anchor the top and bottom pivot to the **pivot panel**.

## Bifold Install Instructions



- b. Hold the next panel in the sequence and attach the panel using the predrilled holes and provided anchors.



- c. Repeat until all panels are all hung.
6. Adjusting and Finishing Touches:
    - a. Ensure the reveals around the panel are equal, as well as the jambs.
    - b. The Brio hardware hangers and hinges have adjustment built in. (See *Brio* packet for adjustment instructions).