

Bonelli Hinge Door Install Instructions

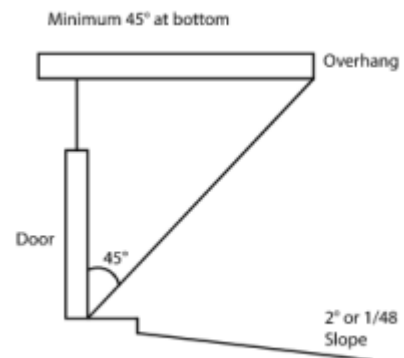


Bill of Materials for Installation

- 1- Backer Rod (0.25" suggested)
- 2- Flashing Membrane (0.265" suggested)
- 3- Perimeter Caulk (recommended per AAMA specifications)
- 4- Shims
- 5- Masonry Plugs for No 10 anchors (If anchoring into concrete)
- 6- Anchoring Fasteners – Minimum #10 – 3" recommended
- 7- Level
- 8- Drill
- 9- Impact

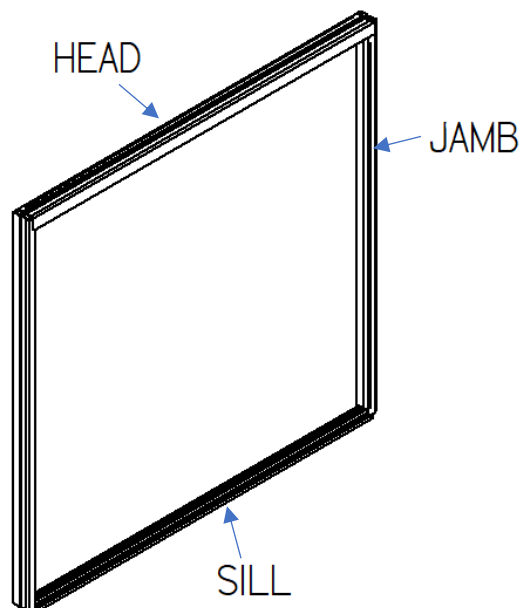
Unbox and Opening Preparation

Before purchasing and installing, verify performance of product meets the requirements of the application and region. Not all products or sill types are rated for water performance. To reduce the likelihood of water infiltration where application exceeds product performance, install doors under an overhang that extends to meet a 45° line from the door sill and slope the exterior 2 degrees away from the door or use a stepdown.

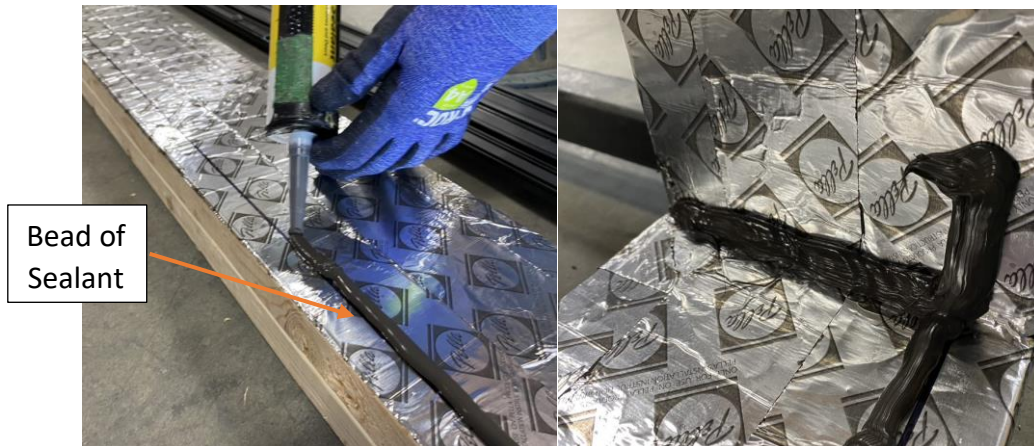


1. Unwrap bundled frame:

- a. Ensure that all required parts are present: 1 Frame, 3 head/jamb covers (**outswing doors only**).



Bonelli Hinge Door Install Instructions

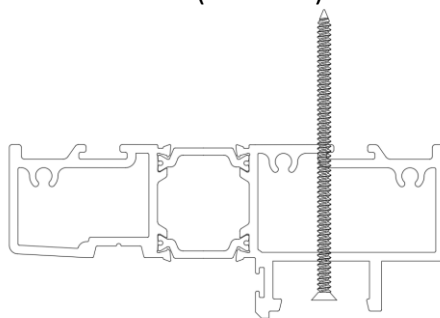


Install Into Opening

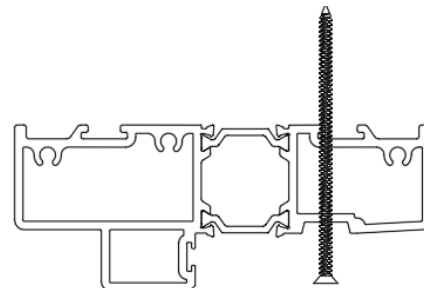
1. Place the frame into the opening and hold with shims or a temporary anchor while leveling, plumbing, and squaring the frame.
- **Note: If necessary, place a temporary anchor to hold the frame into the opening while the frame is installed**
2. All installation holes for securing the head into the header should be predrilled. However, if installation holes are missing, use the suggested hole locations below:
 - **To secure the head**, mark the following suggested anchoring locations on the frame's head as follows:

From the **jamb end**, measure and mark the locations of the holes following:

- i. One mark 6" away from the jamb.
 - ii. After the initial mark, make 16" on center to the end of the head or until you have a mark 6" from the opposite jamb.
 - iii. For double doors, add 2 holes for anchoring screws at head 6" from the center of the frame.
3. Use recommended anchors (#10 - 3 ") to secure the head to the header



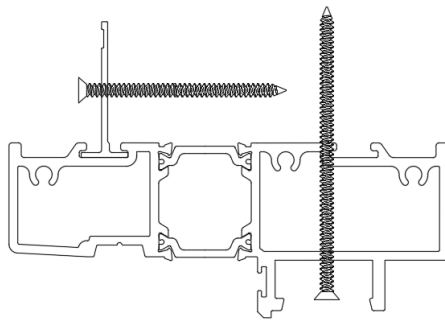
Outswing



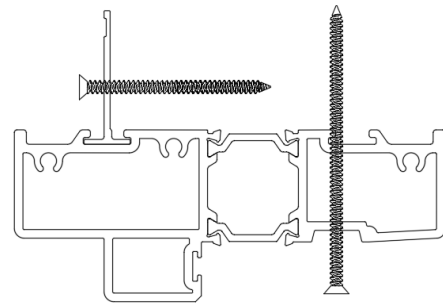
Inswing

NOTE: if the door is nail fin install, it is recommended to anchor through the frame and into the structure to ensure the door is secured into the opening. For anchoring through the nail fin, use #10- 2" screw.

Bonelli Hinge Door Install Instructions

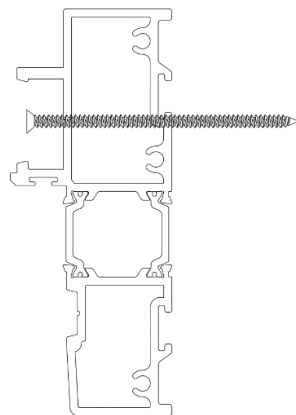


Outswing

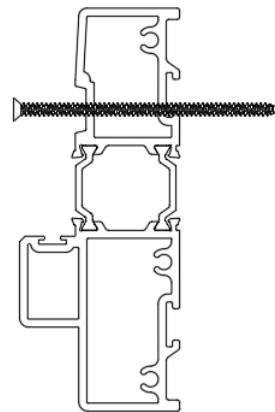


Inswing

4. **To secure the jambs**, measure, mark, and drill 6" from the corner and 16" OC on both jambs.
5. Use recommended anchors (#10 - 3 ") to secure jambs to the opening.
6. Shim, plumb, level, and securely anchor the frame to the opening.



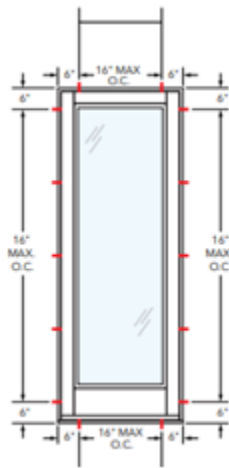
Outswing



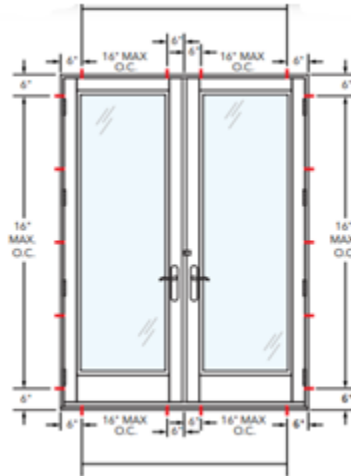
Inswing

7. For the anchoring of the sill, similar to the head:
 - i. One mark 6" away from the jamb.
 - ii. After the initial mark, make 16" on center to the end of the head or until you have a mark 6" from the opposite jamb.
 - iii. For double doors, add 2 holes for anchoring screws at sill 6" from the center of the frame.

Bonelli Hinge Door Install Instructions



Single Door

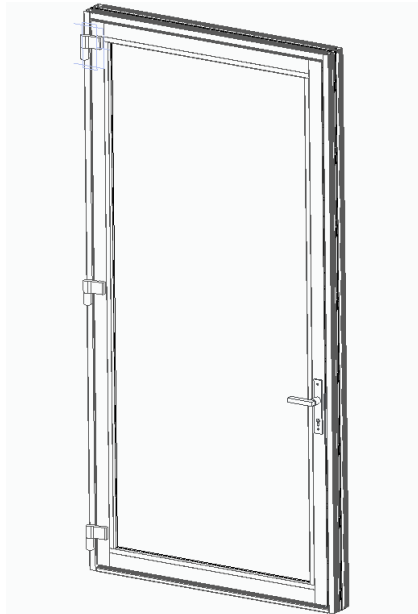


Double Door

8. Secure the sill using the attached 3" installation screw.
9. Place anchors 2" on either side of the strike into structure and for the center hole in the lock strike drill a lock screw into the opening.
10. Recheck the frame to ensure that the frame is still level plumb and square.
11. Seal the top of the screw heads to ensure water cannot ingress through screw holes.
12. For **outswing doors**, install the snap in screw covers to cover the anchors placed in the previous steps.

Hanging Panels and Adjustment:

1. Bring the leaf to the installed frame and slide the panel into the frame hinges.
- If the reveal is as expected and the door operates without issue lock the hinge by opening the leave to expose the locking hex screw on the panel side of the hinge that is typically concealed by the door in its closed position. Turn the screw to lock all the hinges and in turn the leaf in place.



Bonelli Hinge Door Install Instructions



2. If the reveal is uneven, the Dr. Hahn hinges have 3D adjustability:
 - a. To adjust the vertical reveal (+ 3mm / -2mm)
 - i. Starting with the bottom hinge
 - ii. Remove the bottom plastic cap on the frame portion of the hinge
 - iii. Use a hex key to adjust the reveal
 - iv. Repeat on the other hinges to match the new position of the door leaf
 - b. To adjust the horizontal reveal (+/- 2.5mm)
 - i. Ensure the locking screw mentioned above is not tightened down
 - ii. Remove the top plastic cap and located the small hex bolt on the exterior most of the hinge
 - iii. Using a hex key, turn that screw CW or CCW to adjust the panel closer or further from the hinge jamb
 - c. To adjust the sealing pressure (+/- .5mm)
 - i. Remove the bottom plastic cap from the hinge
 - ii. Unscrew and remove the metal internal piece to reveal the in/out adjustment
 - iii. Using a hex key, find the internal plastic adjustment sleeve and turn CW or CCW as need to adjust the sealing pressure

For more information scan the QR code below to reference the hinge manufacture website:

