

| | |
|--------------------------------------|-------|
| Features and Options | CD-2 |
| Size and Performance Data..... | CD-2 |
| Glazing Performance..... | CD-3 |
| Design Data | CD-4 |
| Detailed Product Descriptions | CD-5 |
| Unit Sections | |
| Dual-Pane Glazing Narrow Stile | CD-7 |
| Dual-Pane Glazing Wide Stile..... | CD-10 |

Document Navigation Tips:

Items listed in the table of contents above are active links that will take you to the corresponding page.
The logo on each page is a link back to this table of contents.
Bookmarks are also included in this PDF document and are available as an additional navigation option.

| Sizes | |
|-----------------|---|
| Standard Sizes | ● |
| Special Sizes | ● |
| 8' Door Heights | ● |

Features and Options

Glazing

Glazing Type

| |
|---------------------------------------|
| Dual-Pane Tempered Insulating Glass |
| Triple-Pane Tempered Insulating Glass |
| Dual-Pane Laminated Insulating Glass |

Insulated Glass Options/Low-E Types

| |
|---------------|
| Low-E 366 |
| Low-E 366/i89 |
| Low-E 270 |

Gas Fill

| |
|--|
| Argon (High-altitude is air-filled only) |
|--|

Frame and Panels

| |
|---------------------------|
| Thermally Broken Aluminum |
|---------------------------|

Finishes¹

| |
|--------------------------------|
| Satin Anodized, Black Anodized |
|--------------------------------|

Hardware

Finishes¹

| |
|---------------------|
| Satin Nickel, Black |
|---------------------|

| | Narrow Stile | Wide Stile |
|--|--------------------|--------------------|
| Performance Data² | | |
| Low Profile Sill - Non-Impact Glazing | | |
| Meets or Exceeds AAMA/WDMA Ratings | — Not Certified | — Not Certified |
| Air Infiltration (cfm/ft ² of frame @ 1.57 psf wind pressure) | — | — |
| Water Resistance | — | — |
| Design Pressure | — | — |

Other Performance Criteria

| | |
|---|---|
| Forced Entry Resistance Level (Minimum Security Grade) ³ | — |
|---|---|

(—) = Not Available

(1) Contact your local sales representative for current designs and color options.

(2) Maximum performance for single unit when glazed with the appropriate glass thickness. Doors supplied without latching hardware are not AAMA/WDMA performance certified. See Design Data pages in this section for specific product performance class and grade values.

(3) The higher the level, the greater the product's ability to resist forced entry. Valid only if Manufacturer supplied locking system is used.

NOTE: Performance with additional options may not be the same as Standard and Special size units. Please contact your local Pella representative for complete information.



| Glazing Thickness | Type of Glazing | NFRC Certified Product # | Glass (mm) | | Gap Fill | Performance Values ¹ | | | | Shaded Areas Meet ENERGY STAR® Performance Criteria in Zones Shown | | | | | | | | | |
|---|-----------------|--------------------------|------------|------|----------|---------------------------------|------|-------|----|--|-----------|-----------|----------|---------------------|------|--|--|--|--|
| | | | Ext. | Int. | | U-Factor | SHGC | VLT % | CR | U. S. | | | | Canada ² | | | | | |
| | | | | | | | | | | Zone | | | | ER | Zone | | | | |
| Outswing Dual-Pane Glazing - Narrow Stiles / Top Rail with 10" Bottom Rail | | | | | | | | | | N | NC | SC | S | CA | | | | | |
| 1" | 366/ clear | BNE-A-17-03527-00001 | 5 | 5 | Argon | 0.38 | 0.17 | 0.38 | 50 | | | | | | | | | | |
| 1" | 366/ i89 | BNE-A-17-03547-00001 | 5 | 5 | Argon | 0.35 | 0.17 | 0.37 | 49 | | | | | | | | | | |
| 1" | 270/ clear | BNE-A-17-03519-00001 | 5 | 5 | Argon | 0.39 | 0.23 | 0.41 | 50 | | | | | | | | | | |
| 1" | 366/ clear | BNE-A-17-03525-00001 | 5 | 5 | Air | 0.41 | 0.18 | 0.38 | 50 | | | | | | | | | | |
| 1" | 366/ i89 | BNE-A-17-03545-00001 | 5 | 5 | Air | 0.37 | 0.17 | 0.37 | 45 | | | | | | | | | | |
| 1" | 270/ clear | BNE-A-17-03517-00001 | 5 | 5 | Air | 0.41 | 0.23 | 0.41 | 50 | | | | | | | | | | |
| Outswing Dual-Pane Glazing - Wide Stiles / Top Rail with 10" Bottom Rail | | | | | | | | | | | | | | | | | | | |
| 1" | 366/ clear | BNE-A-17-03787-00001 | 5 | 5 | Argon | 0.40 | 0.15 | 0.32 | 49 | | | | | | | | | | |
| 1" | 366/ i89 | BNE-A-17-03807-00001 | 5 | 5 | Argon | 0.38 | 0.15 | 0.31 | 49 | | | | | | | | | | |
| 1" | 270/ clear | BNE-A-17-03779-00001 | 5 | 5 | Argon | 0.41 | 0.20 | 0.34 | 49 | | | | | | | | | | |
| 1" | 366/ clear | BNE-A-17-03785-00001 | 5 | 5 | Air | 0.43 | 0.15 | 0.32 | 49 | | | | | | | | | | |
| 1" | 366/ i89 | BNE-A-17-03805-00001 | 5 | 5 | Air | 0.39 | 0.15 | 0.31 | 46 | | | | | | | | | | |
| 1" | 270/ clear | BNE-A-17-03777-00001 | 5 | 5 | Air | 0.43 | 0.20 | 0.34 | 49 | | | | | | | | | | |

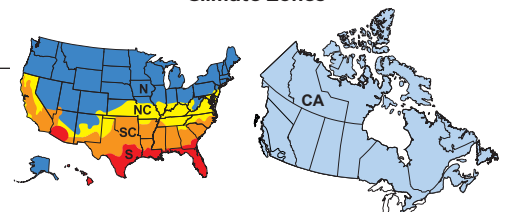
R-Value = 1/U-Factor
 SHGC = Solar Heat Gain Coefficient
 VLT % = Visible Light Transmission
 CR = Condensation Resistance
 ER = Canadian Energy Rating

(1) Glazing performance values are calculated based on NFRC 100, NFRC 200 and NFRC 500. ENERGY STAR® values are updated to 2023 (version 7) criteria.

(2) The values shown are based on Canada's updated ENERGY STAR® 2020 initiative.

Visit www.energystar.gov for Energy Star guidelines.

Climate Zones



| Commercial Out-Swing Hinged Door Design Data | | | | | | | | | | | |
|--|-------------------|-------------------------------------|----------------------|-------------------------|------------------------------|--|------------|--|---------------------|--|---|
| Unit | Actual Frame Size | Clear Opening (Inches) ₁ | | | Vent Area (Low Profile Sill) | Visible Glass Ft ² (Low Profile Sill) | | Standard Glass Thickness (mm) Tempered | | Performance Class & Grade ₂ | |
| | | Width (Inches) (172°) | Width (Inches) (90°) | Low Profile Sill Height | | Narrow Stile | Wide Stile | Dual-Pane Glazing | Triple-Pane Glazing | | |
| 3696 | L/R | 35.5 x 95.5 | 31.9 | 30.0 | 93.2 | 19.4 | 14.6 | 11.9 | 5 | 5 | - |
| 3896 | L/R | 37.5 x 95.5 | 33.9 | 32.0 | 93.2 | 20.7 | 15.7 | 13.0 | 5 | 5 | - |
| 4896 | L/R | 47.5 x 95.5 | 43.9 | 42.0 | 93.2 | 27.2 | 21.2 | 18.3 | 5 | 5 | - |
| 7296 | AP/PA | 71.5 x 95.5 | 67.9 | 66.0 | 93.2 | 42.7 | 30.7 | 25.3 | 5 | 5 | - |
| 7696 | AP/PA | 75.5 x 95.5 | 71.9 | 70.0 | 93.2 | 45.3 | 33.0 | 27.5 | 5 | 5 | - |
| 9696 | AP/PA | 95.5 x 95.5 | 91.9 | 90.0 | 93.2 | 58.3 | 44.1 | 38.0 | 5 | 5 | - |

| | Frame Width | | Frame Height | |
|--------------|-------------|---------|--------------|---------|
| | Minimum | Maximum | Minimum | Maximum |
| Single Doors | 32" | 47.5" | 80" | 120" |
| Double Doors | 61.616" | 92.616" | | |

Special Size widths available in 1" increments for single doors, 2" increments for double doors.

Special Size heights available in 1/4" increments

| Hardware Handle | Dimension from bottom of panel to center of lock thumbturn |
|----------------------|--|
| Offset Pull/Push Bar | 36" |

| Dimension | Single Doors | Double Doors |
|-----------------------------------|---|---|
| Rough Opening Width | FW + .5 | |
| Rough Opening Height | FH + .5 | |
| Clear Opening Width (Approximate) | 90 deg - FW - 5.4827 172 deg - FW - 3.581 | 90 deg - FW - 7.3866 172 deg - FW - 3.581 |
| Clear Opening Height | Low Profile Sill: FH - 2.291 | |
| Visible Glass Width | Narrow stiles: FW - 9.306 Wide Stiles: FW - 13.044 | Narrow stiles: FW - 16.226 Wide stiles: FW - 23.7028 |
| Visible Glass Height | Narrow stiles (Low profile sill): FH - 8.702 Wide stiles (Low profile sill): FH - 12.441 | |

(-) = Not Applicable

(1) All dimensions are approximate to the nearest 1/16".

(2) Maximum performance when glazed with the appropriate glass thickness. All doors and sidelights are Tempered glass.

To convert areas to square meters (m²), multiply square feet by 0.0929.



Detailed Product Description

Frame

- Extruded aluminum head and jambs with thermal breaks.
- Extruded aluminum low-profile sill with thermal breaks.
- Frame Finish is [Satin Anodized] [Black Anodized].
- Frame Depth 4-1/2"

Door Panels

- Extruded aluminum [Narrow Stiles/Rails] [Wide Stiles/Rails] and 10" lower rail with thermal breaks.
- Corners are secured with metal fasteners.

Weatherstripping

- Extruded pile with quiet fin on all sides of door panel.
- Dual-durometer extruded polymer on jambs and head.

Glazing System¹

- Quality fully-tempered float glass complying with ASTM C 1048.
- High altitude glazing available.
- Silicone-glazed, 1" double-pane, dual-seal, insulating glass
- [[366/Clear] [366/i89] [270/Clear] Low-E [with argon]].

Hardware

- Handles
 - Offset Pull/Push Bar [Satin Nickel] [Black].
- Hinges
 - Adjustable hinges to assist in installation.
 - Doors up to 9'0" have three (3) 2-leaf hinges.
 - Doors between 9'0" and 10'0" have four (4) 2-leaf hinges.
 - Hinge finish to match handle hardware color.

Optional Products

Grilles

- Simulated Divided Light
 - Interior and exterior grilles are [7/8"] [1-1/2"] flat profile that are extruded aluminum. Finishes are [satin anodized] [black anodized].
 - Patterns are [Traditional] [Contemporary] [Top Row] [Cross].
 - Insulating glass contains non-glare spacer between the panes of glass.
 - Grilles are adhered to both sides of the insulating glass with VHB acrylic adhesive tape and aligned with the non-glare spacer.
- Grilles-Between-The-Glass
 - Insulating glass contains 1/2" square aluminum grilles permanently installed between two panes of glass (exterior air-space on triple pane insulating glass).
 - Patterns are [Traditional] [Contemporary] [Top Row] [Cross].
 - Interior color is black.
 - Exterior color is black.

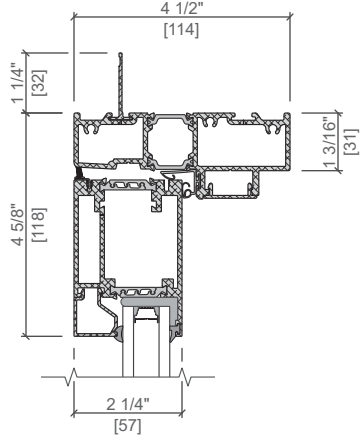
(1) Insulating glass with argon is Low-E coated. All other insulating glass is air-filled.

(2) Contact your local sales representative for current color options.

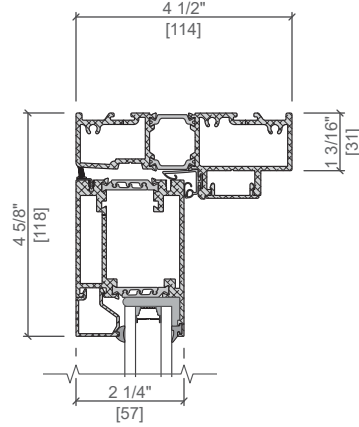


NARROW STILE

Standard Nailing Fin

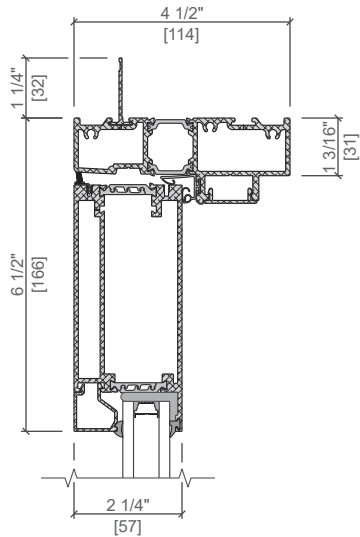


Standard Block Frame

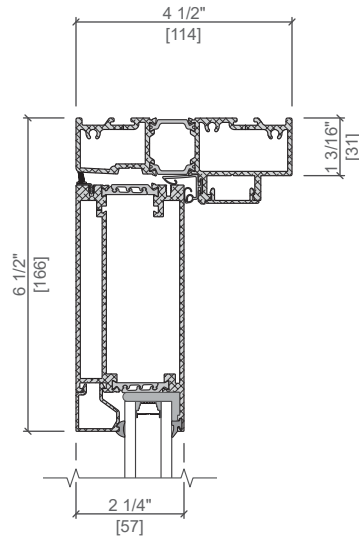


WIDE STILE

Standard Nailing Fin

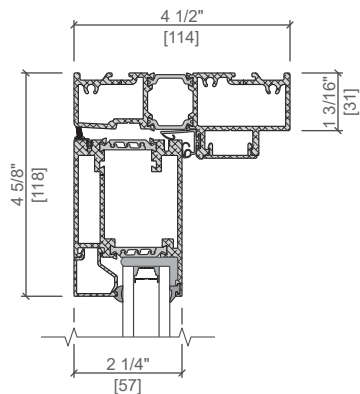


Standard Block Frame

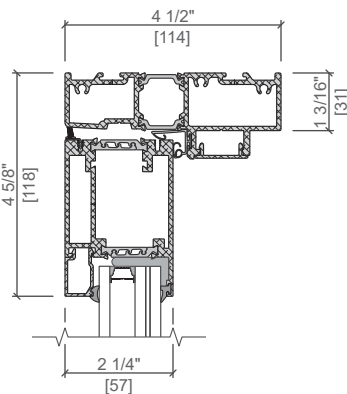


GLAZING OPTIONS

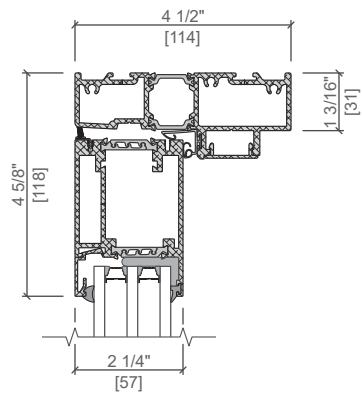
1" 6mm IG



1-1/4" 6mm Laminated IG

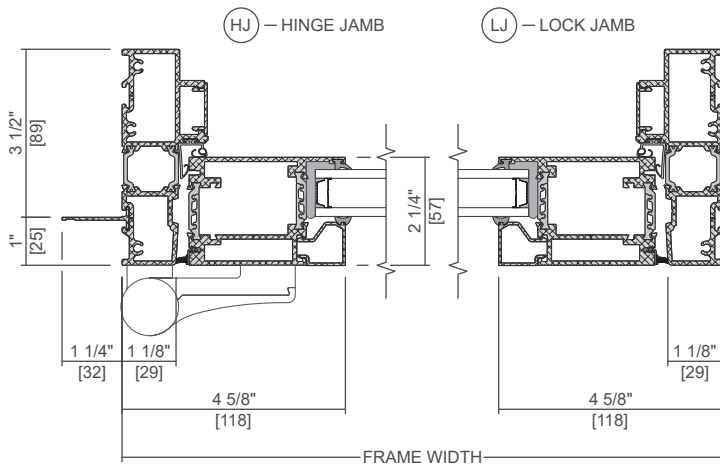
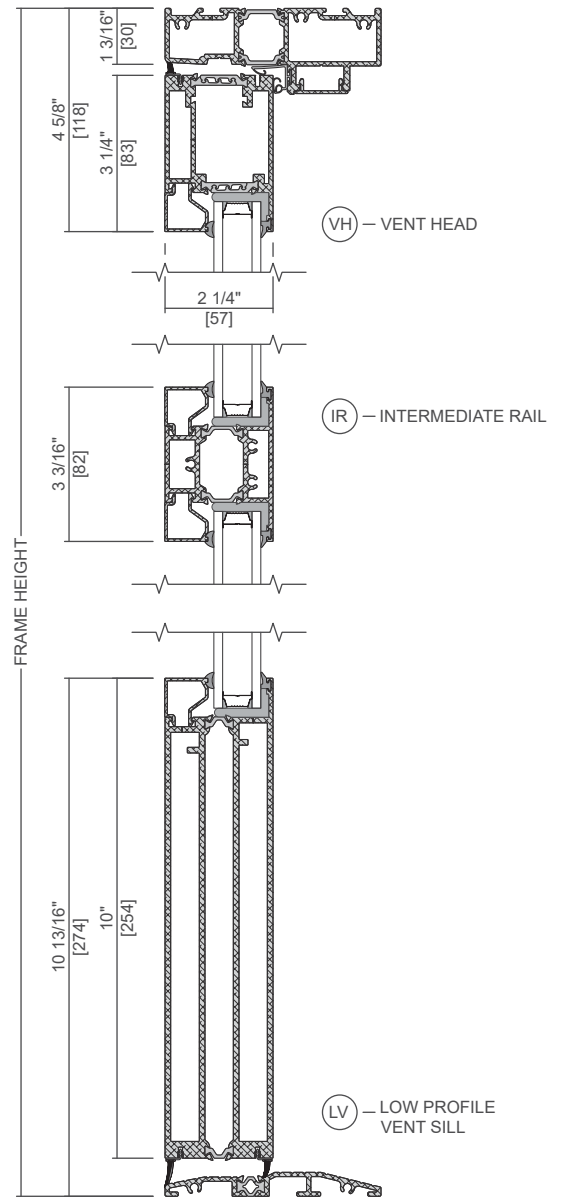
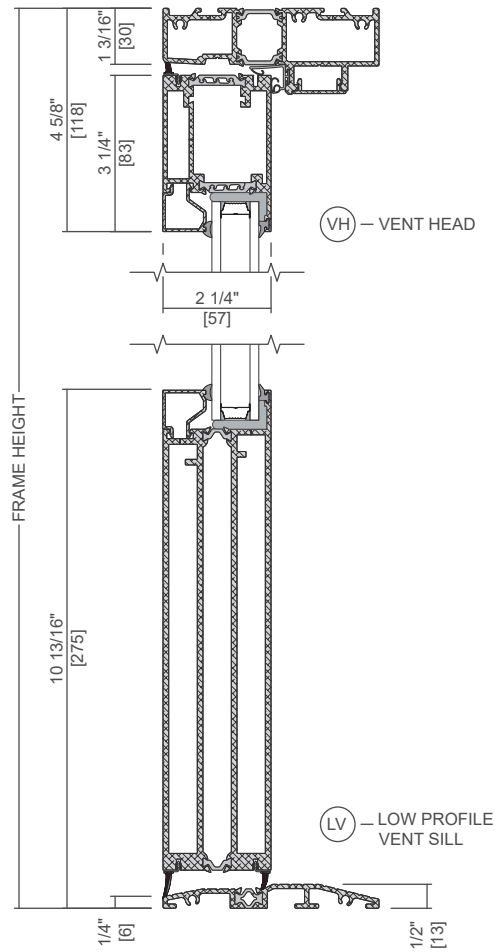
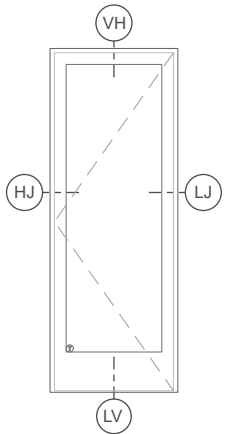
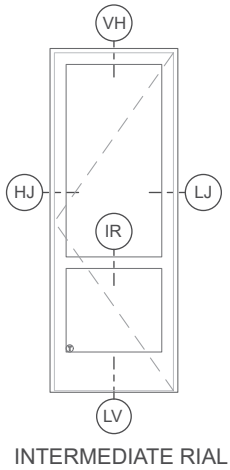


Triple 1-5/8" 6mm IG

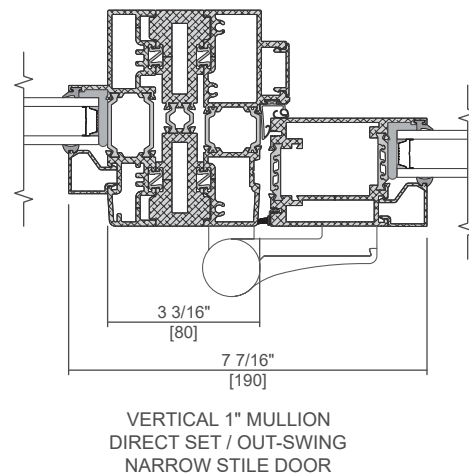
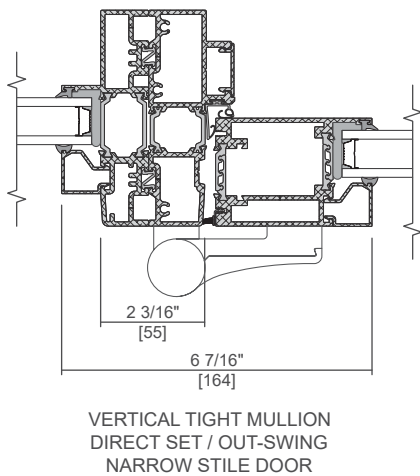
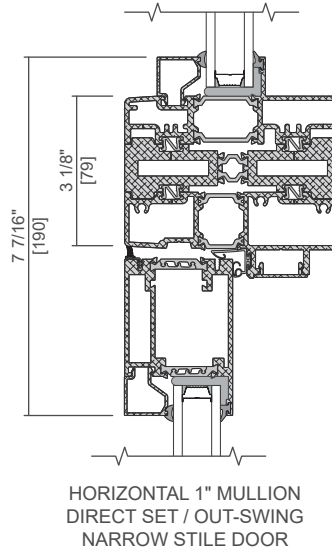
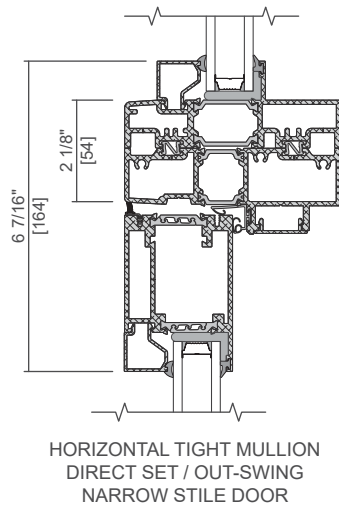
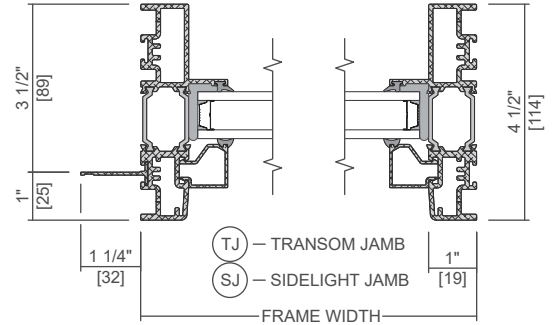
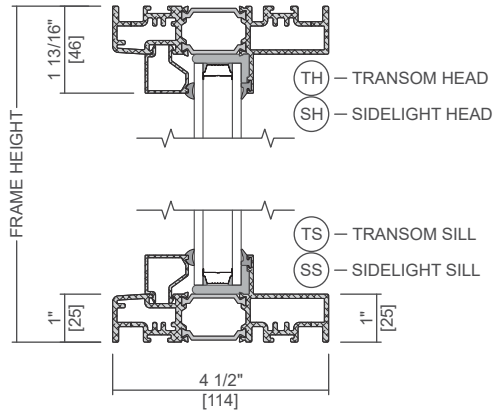
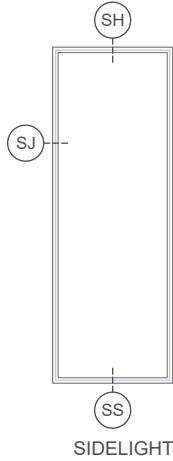
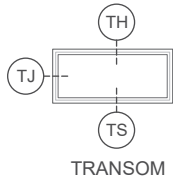


Scale 3" = 1' 0"

All dimensions are approximate.

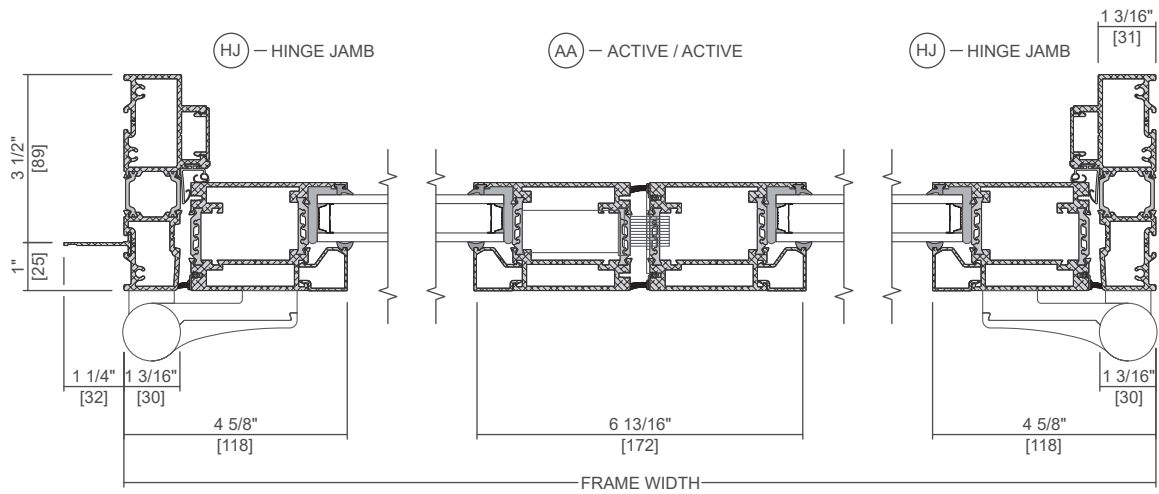
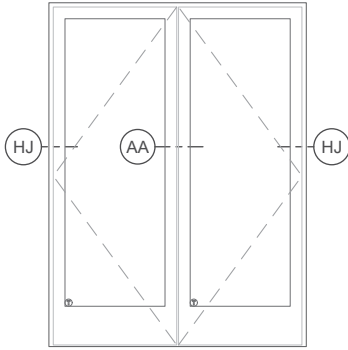


Scale 3" = 1' 0"
All dimensions are approximate.



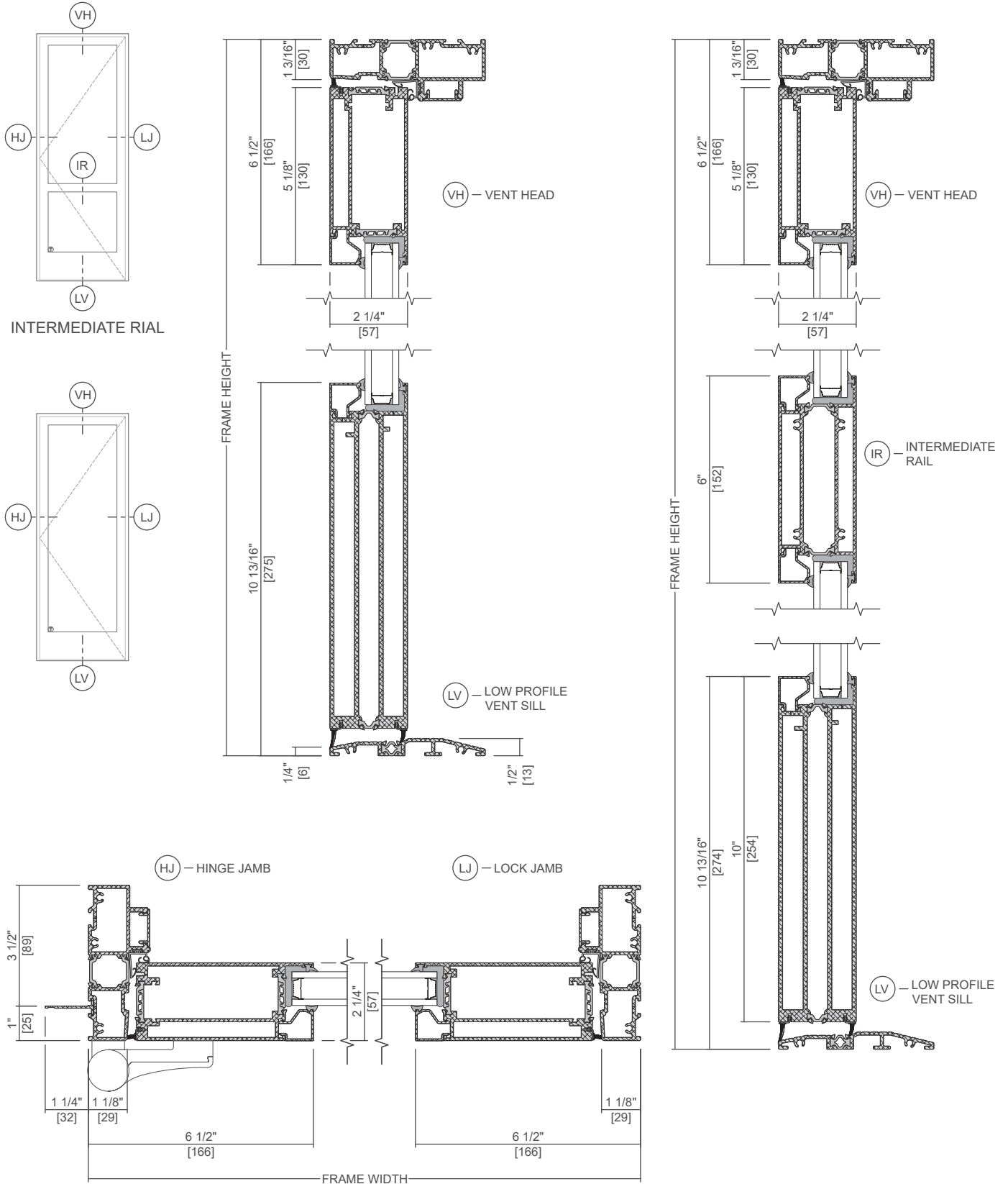
Scale 3" = 1' 0"

All dimensions are approximate.



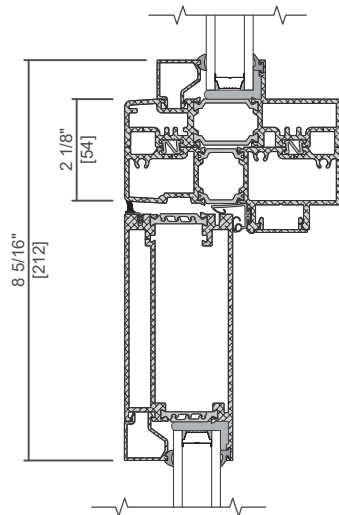
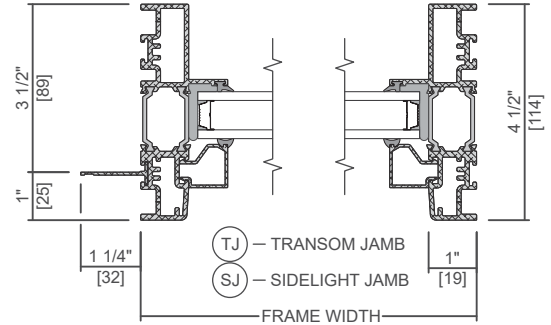
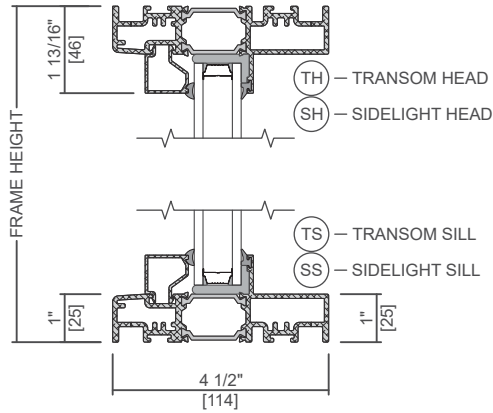
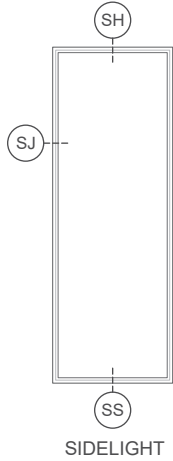
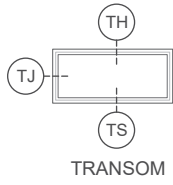
Scale 3" = 1' 0"

All dimensions are approximate.

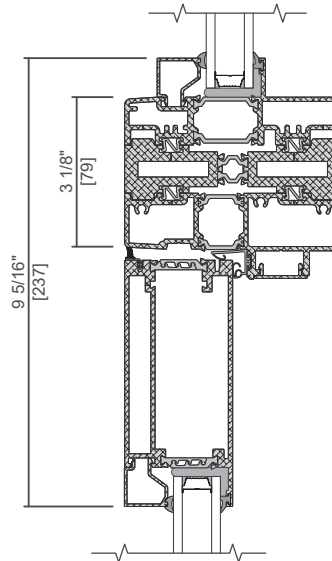


Scale 3" = 1' 0"

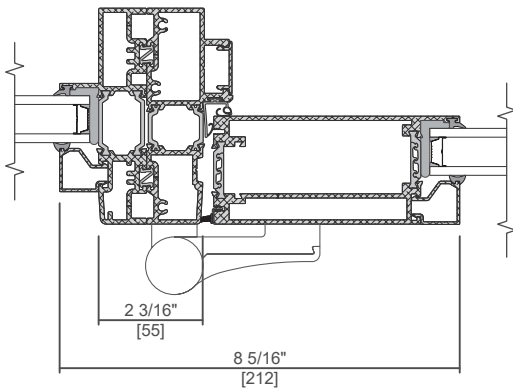
All dimensions are approximate.



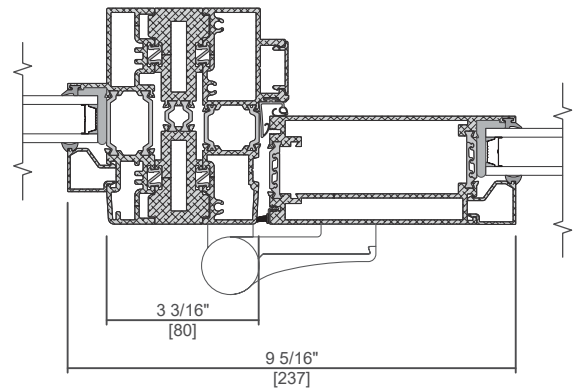
HORIZONTAL TIGHT MULLION
DIRECT SET / OUT-SWING
WIDE STILE DOOR



HORIZONTAL 1" MULLION
DIRECT SET / OUT-SWING
WIDE STILE DOOR



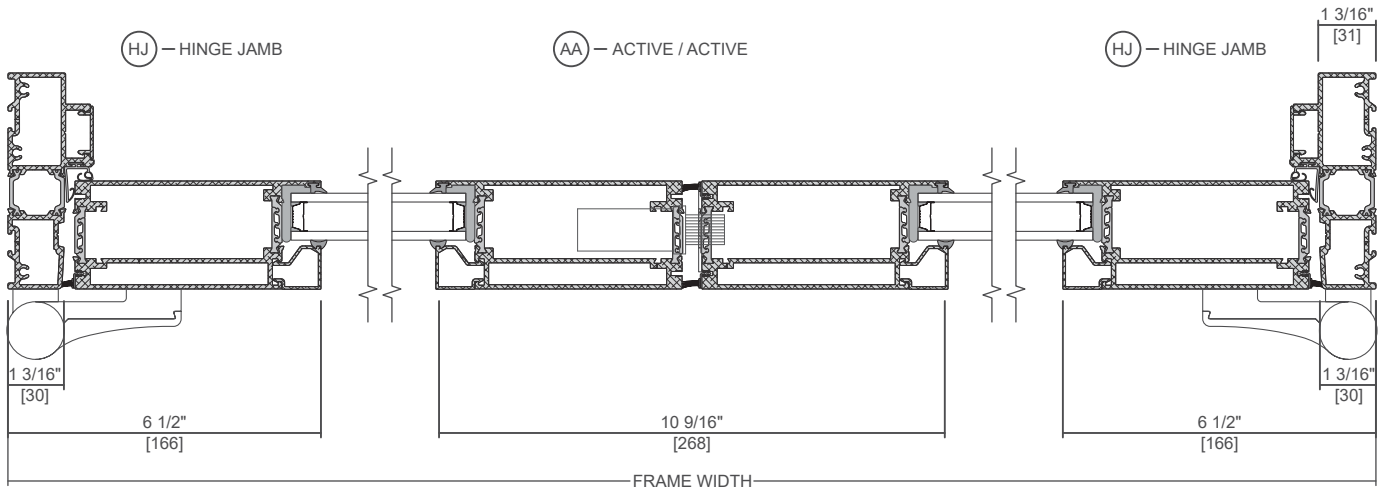
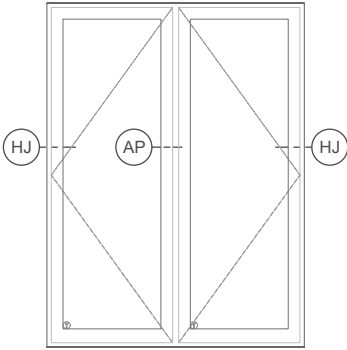
VERTICAL TIGHT MULLION
DIRECT SET / OUT-SWING
WIDE STILE DOOR



VERTICAL 1" MULLION
DIRECT SET / OUT-SWING
WIDE STILE DOOR

Scale 3" = 1' 0"

All dimensions are approximate.



Scale 3" = 1' 0"

All dimensions are approximate.