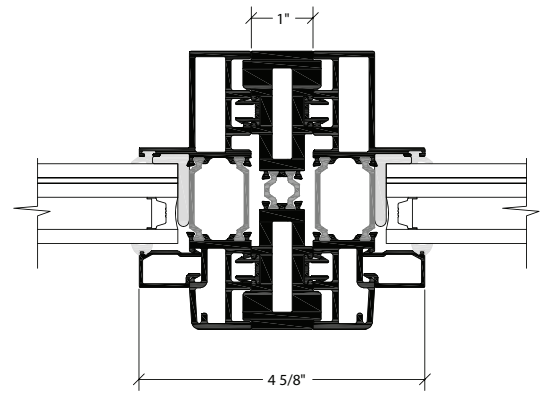


Reinforced with 1-1/2" x 1-1/2" Alum. Tube



Window Wall with 1" Reinforcing