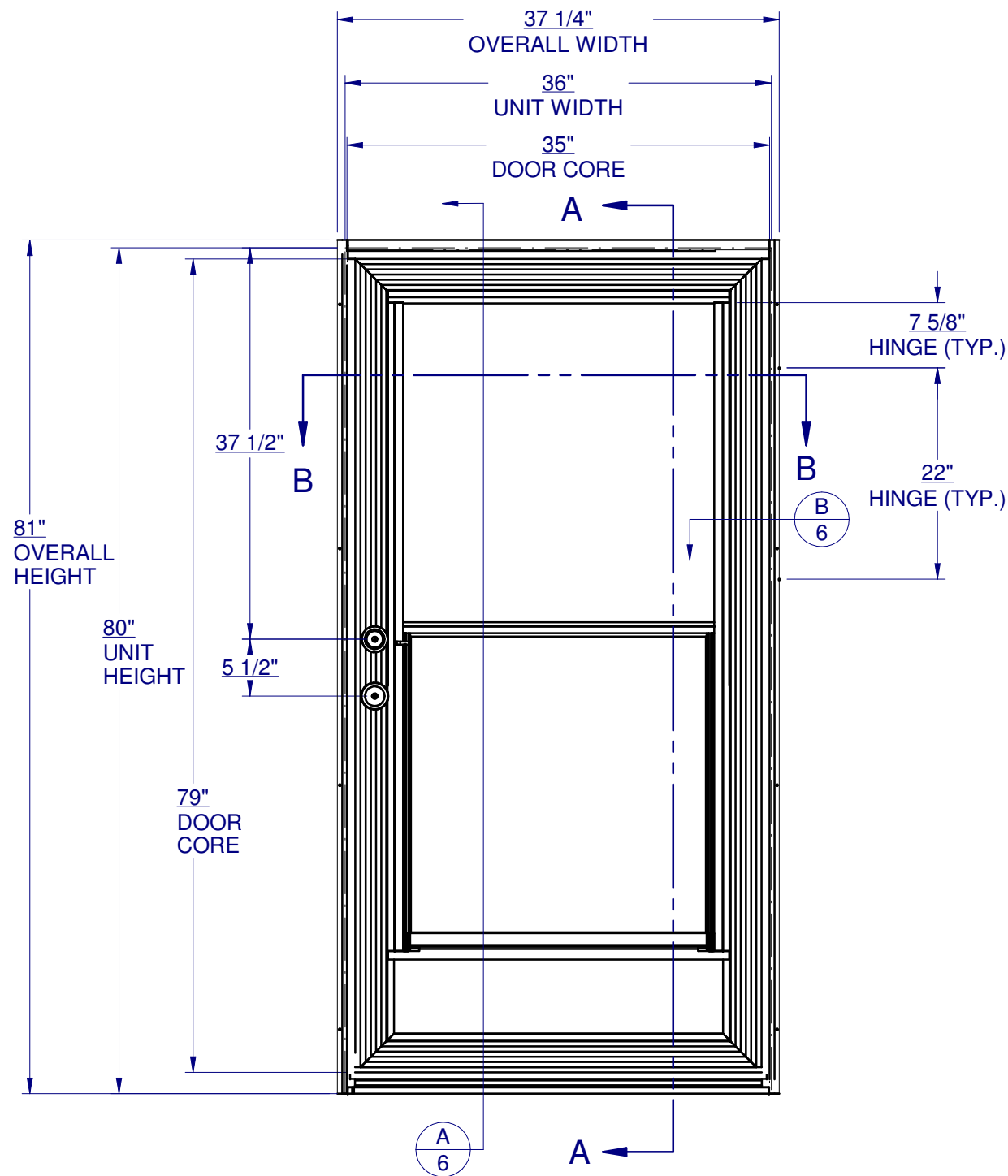


PRIME DOOR - NON-IMPACT

(SHOWN w/ALUM. SINGLE HUNG)



GENERAL NOTES:

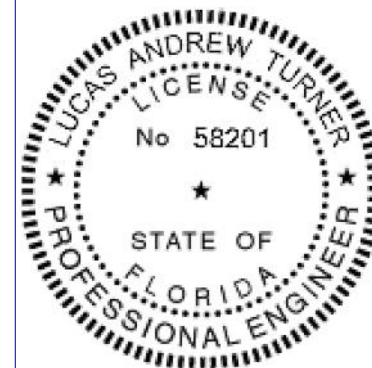
1. THE PRODUCT SHOWN HEREIN IS DESIGNED AND MANUFACTURED TO COMPLY WITH THE FLORIDA BUILDING CODE (FBC), CURRENT EDITION.
2. GLAZING OPTIONS: (SEE SHEET 2)
3. CONFIGURATIONS: OUTSWING, LEFT OR RIGHT HINGED.
4. DESIGN PRESSURE RATING:
 -NEGATIVE DESIGN LOADS BASED ON, TESTED PRESSURE AND GLASS TABLES ASTM E-1300-04.
 -POSITIVE DESIGN LOADS BASED ON, TESTED PRESSURE, WATER INFILTRATION TEST PRESSURE AND GLASS TABLES ASTM E-1300-04.
5. ANCHORAGE: THE 33 1/3% STRESS INCREASE HAS NOT BEEN USED IN THE DESIGN OF THIS PRODUCT. SEE SHEET 6 FOR ANCHOR DETAILS. WINDLOAD DURATION FACTOR Cd=1.6 WAS USED FOR WOOD ANCHOR CALCULATIONS.
6. NOT APPROVED FOR IMPACT RESISTANCE. IMPACT PROTECTIVE SYSTEM IS REQUIRED IN WIND BORNE DEBRIS REGION.
7. ALL FRAMES SCREWED TOGETHER. SMALL JOINT SEAM SEALANT USED AT ALL FRAME JOINTS.



1900 SW 44TH AVE.
 Ocala, Florida 34474
 WWW.CWS.CC

1000 ALUM. GUARDIAN DOOR NON-IMPACT

NO.	DESCRIPTION:	BY:	DATE:
E	UPDATED PER 2014 FBC	EMK	04/22/15
D			
C	UPDATED PER 2010 FBC	TEF	10/17/11
B	ADDED VENDOR TO BOM	ADE	03/13/09
A			



LT
 4/27/2015

LUCAS A. TURNER, P.E.
 FL PE # 58201
 1239 JABARA AVE.
 NORTH PORT, FL 34288
 PH. 941-380-1574

SHEET DESCRIPTION:
 GENERAL NOTES AND ELEVATIONS

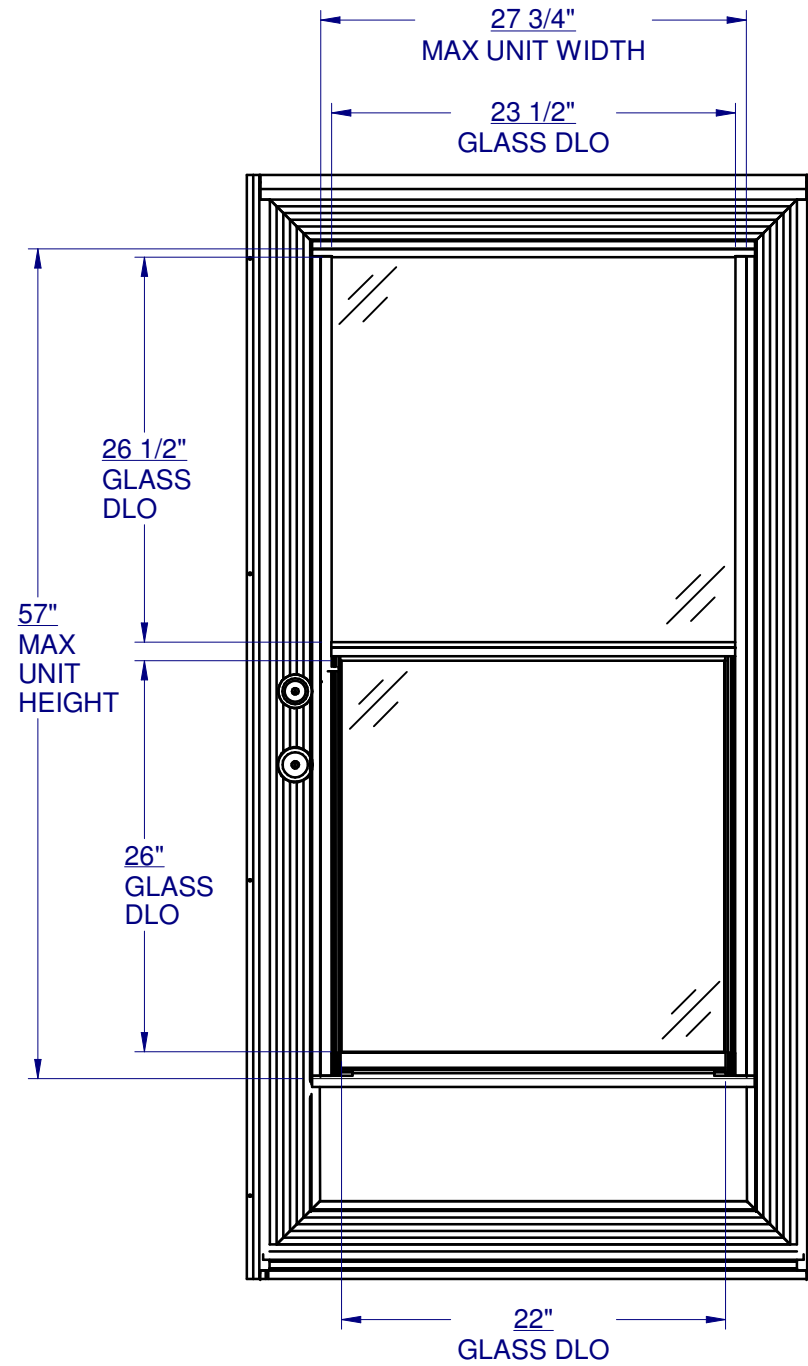
DRAWN BY: ADE	DATE: 09/08/08
DWG #: CWS-176	REV.: E
SCALE: 1:15	SHEET 1 OF 6

TABLE OF CONTENTS

GENERAL NOTES & ELEVATIONS.....1
 CONFIGURATIONS.....2
 SECTION VIEWS.....3
 BOM & EXTRUSIONS.....4
 ANCHOR SCHEDULE & NOTES.....5
 INSTALLATION DETAILS.....6

MAX. UNIT SIZE	DESIGN PRESSURE RATING	IMPACT RATING
37-1/4" x 81"	+/- 40 PSF	NONE

**1000 ALUM.
GUARDIAN DOOR
NON-IMPACT**



SH-3500 (SEE SEPARATE APPROVAL)
ALL GLAZING DSB TEMPERED MIN.

NO.:	DESCRIPTION:	BY:	DATE:
E	UPDATED PER 2014 FBC	EMK	04/22/15
D			
C	UPDATED PER 2010 FBC	TEF	10/17/11
B	ADDED VENDOR TO BOM	ADE	03/13/09
A			



LUCAS A. TURNER, P.E.
FL PE # 58201
1239 JABARA AVE.
NORTH PORT, FL 34288
PH. 941-380-1574

SHEET DESCRIPTION:
**DOOR
CONFIGURATIONS**

DRAWN BY: ADE	DATE: 09/08/08
DWG #: CWS-176	REV.: E
SCALE: 1:10	SHEET 2 OF 6

**1000 ALUM.
GUARDIAN DOOR
NON-IMPACT**

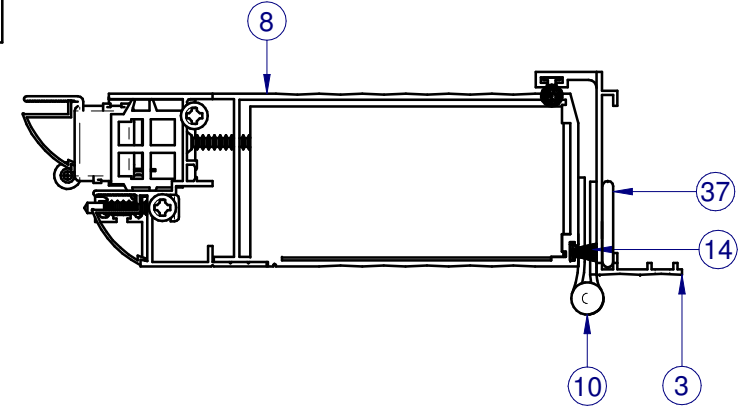
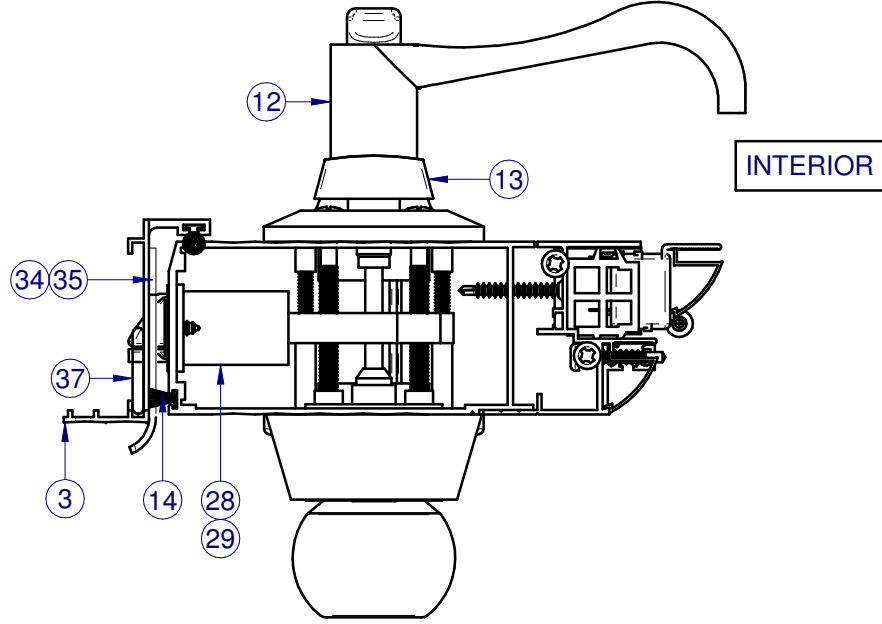
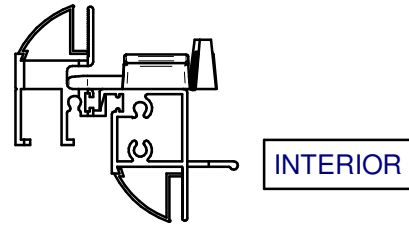
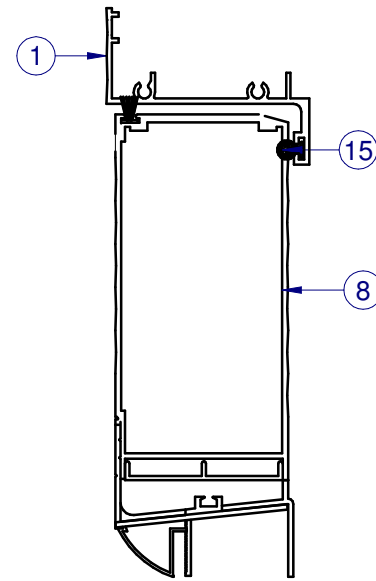
NO.	DESCRIPTION	BY:	DATE:
E	UPDATED PER 2014 FBC	EMK	04/22/15
D	UPDATED PER 2010 FBC	TEF	10/17/11
C	ADDED VENDOR TO BOM	ADE	03/13/09
B			
A			



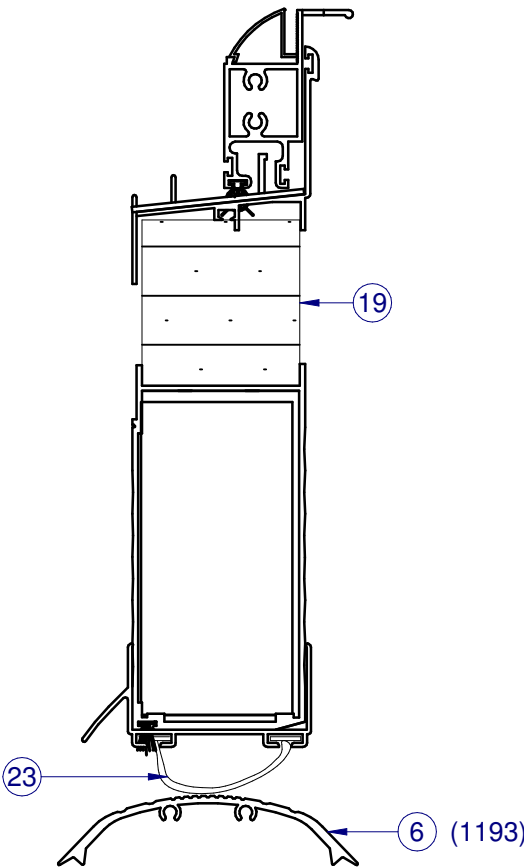
LUCAS A. TURNER, P.E.
FL PE # 58201
1239 JABARA AVE.
NORTH PORT, FL 34288
PH. 941-380-1574

SHEET DESCRIPTION:
SECTION VIEWS

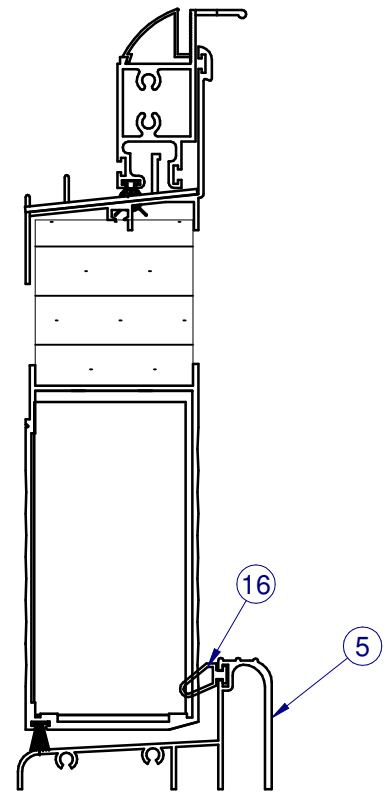
DRAWN BY: ADE	DATE: 09/08/08
DWG #: CWS-176	REV.: E
SCALE: 1:2	SHEET 3 OF 6



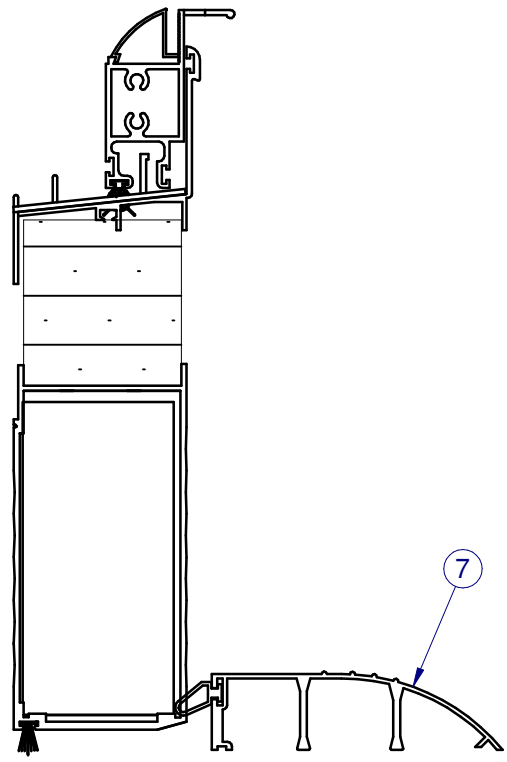
SECTION VIEW B-B



SECTION VIEW A-A



ALT. THRESHOLD (1186)



ALT. THRESHOLD (1126)

THRESHOLD	DESCRIPTION	MAX. POS. DP
1126	BUMPER THRESHOLD	NONE
1186	STANDARD THRESHOLD	+ 40
1193	SADDLE THRESHOLD	NONE

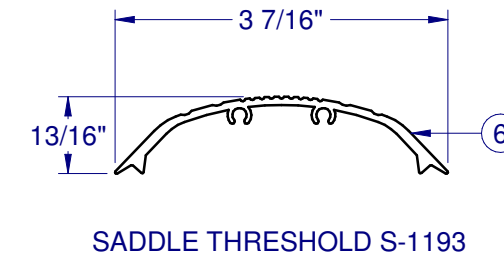
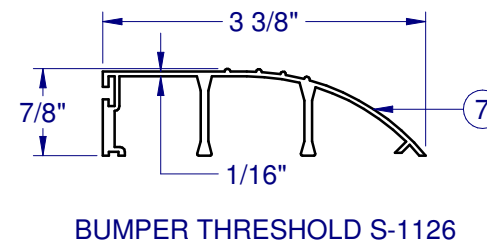
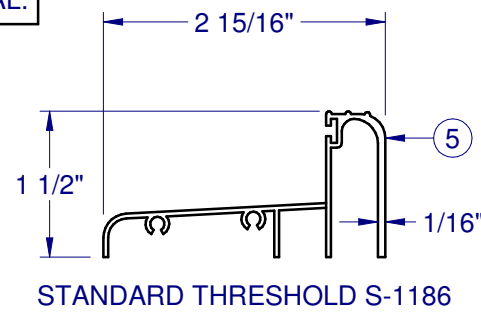
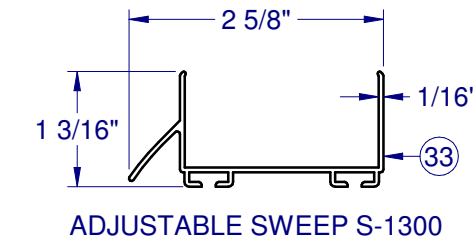
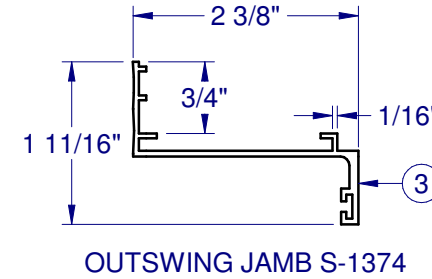
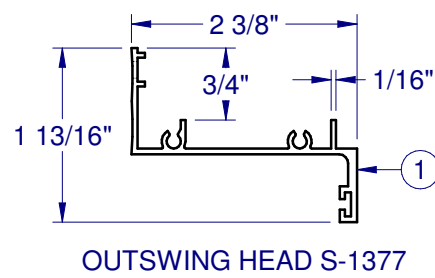
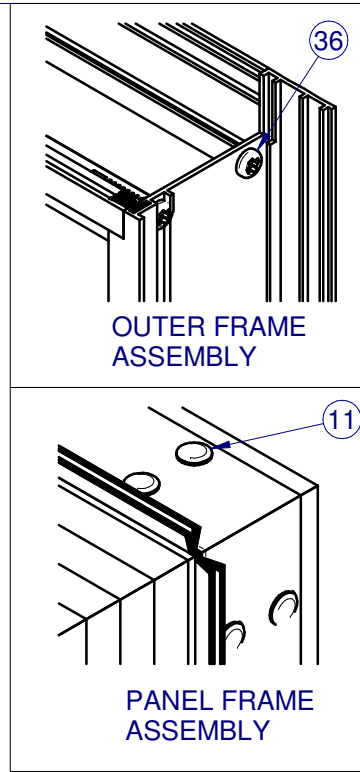
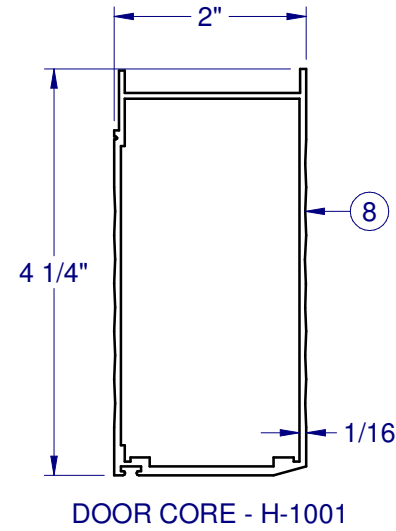
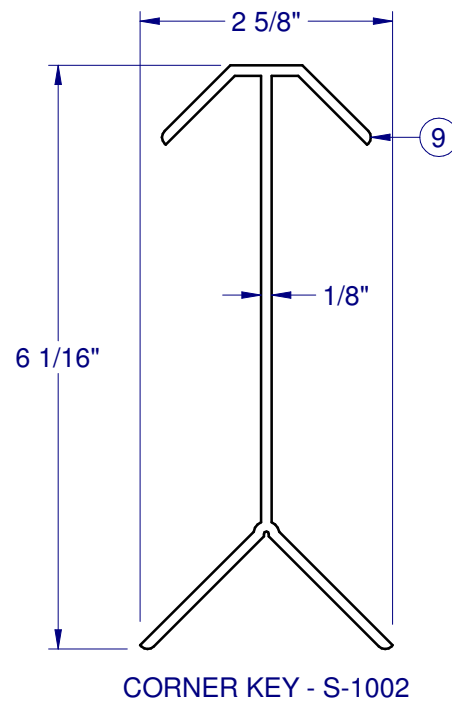
NOTE: INSTALLATION w/1126 OR 1193 THRESHOLDS ONLY ALLOWED WHERE NO WATER INFILTRATION RESISTANCE IS NEEDED.

ITEMS NOT SHOWN FOR CLARITY:
9, 11, 17-19, 24-26, 31, 36

PARTS LIST				
ITEM	PART #	DESCRIPTION	VENDOR	MATERIAL
1	S-1377	HEAD, Z BAR, OUTSWING	KEYMARK	ALUM
3	S-1374	JAMB, Z BAR, OUTSWING	KEYMARK	ALUM
5	S-1186	THRESHOLD	KEYMARK	ALUM
6	S-1193	SADDLE THRESHOLD	KEYMARK	ALUM
7	S-1126	BUMPER THRESHOLD	KEYMARK	ALUM
8	H-1001	DOOR CORE	KEYMARK	ALUM
9	S-1002	CORNER KEY	KEYMARK	ALUM
10	P-3008	HINGES	IDEAL	SS
11	P-3376	POP RIVET	HUB	SS
12	P-3280	DEADBOLT - 3127-A-Q	DELANEY	SS
13	P-3280	LOCKSET - 3127-A-Q	DELANEY	SS
14	P-3302	WSTP, .330 x .187 FIN, BLACK SOFT TOUCH	ULTRAFAB	
15	P-3310	WSTP, .350 x .187 BULB VINYL	ULTRAFAB	
16	P-3224	WSTP., THRESHOLD VINYL	TEAM PLASTICS	
17	P-3087	GASKET, DOOR KNOB	PRATT IND.	FOAM
18	P-3204	GASKET, DEADBOLT	HO PRODUCTS	FOAM
19	P-3584	FOAM CORE	ELITE	
23	P-3214	BUGSWEEP		
24	P-3539	8 x 3/4, QUAD PAN TEK	FASTEC	STEEL
25	P-3329	FOAM BLOCK, DOOR KNOB	IMPERIAL	FOAM
26	P-3350	FOAM BLOCK, FILLER	METALS USA	
28	P-3369	CYLINDER, DOOR PLUNGER	YALE	SS
29	P-3370	CYLINDER, DEAD BOLT	YALE	SS
31	P-3531	8 x 3/8 PHIL FLAT SMS	FASTEC	SS
32	P-3214	BUGSWEEP	TEAM PLASTICS	PLASTIC
33	S-1300	ADJUSTABLE SWEEP	KEYMARK	ALUM
34	P-3367	DOOR STRIKE	YALE	SS
35	P-3368	DEADBOLT STRIKE	YALE	SS
36	P-3612	8 x 1-1/4 QUAD PAN W/ 1/4" LEAD	FASTEC	STEEL
37	P-3776	BACKER PLATE	ALCOA	ALUM

LINE ITEMS NOT USED:
2, 4, 20-22, 27, 30

NOTE: SINGLE HUNG B.O.M. NOT SHOWN, SEE SEPARATE APPROVAL.



THRESHOLD	DESCRIPTION	MAX. POS. DP
1126	BUMPER THRESHOLD	NONE
1186	STANDARD THRESHOLD	+ 40
1193	SADDLE THRESHOLD	NONE

NOTE: INSTALLATION w/1126 OR 1193 THRESHOLDS ONLY ALLOWED WHERE NO WATER INFILTRATION RESISTANCE IS NEEDED.

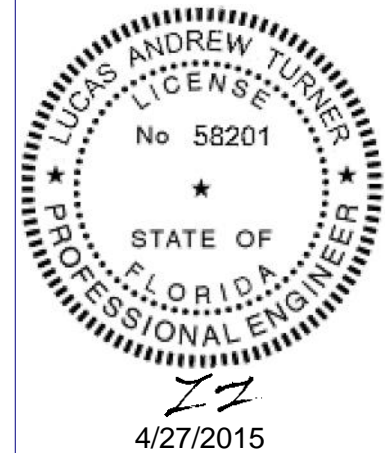
NOTE: ALL ALUMINUM EXTRUSIONS ARE 6063-T6 UNLESS OTHERWISE NOTED.

Custom
WINDOW SYSTEMS
1900 SW 44TH AVE.
OCALA, FLORIDA 34474
WWW.CWS.CC

**1000 ALUM.
GUARDIAN DOOR
NON-IMPACT**

NO.	DESCRIPTION:	BY:	DATE:
E	UPDATED PER 2014 FBC	EMK	04/22/15
D			
C	UPDATED PER 2010 FBC	TEF	10/17/11
B	ADDED VENDOR TO BOM	ADE	03/13/09
A			

REVISIONS



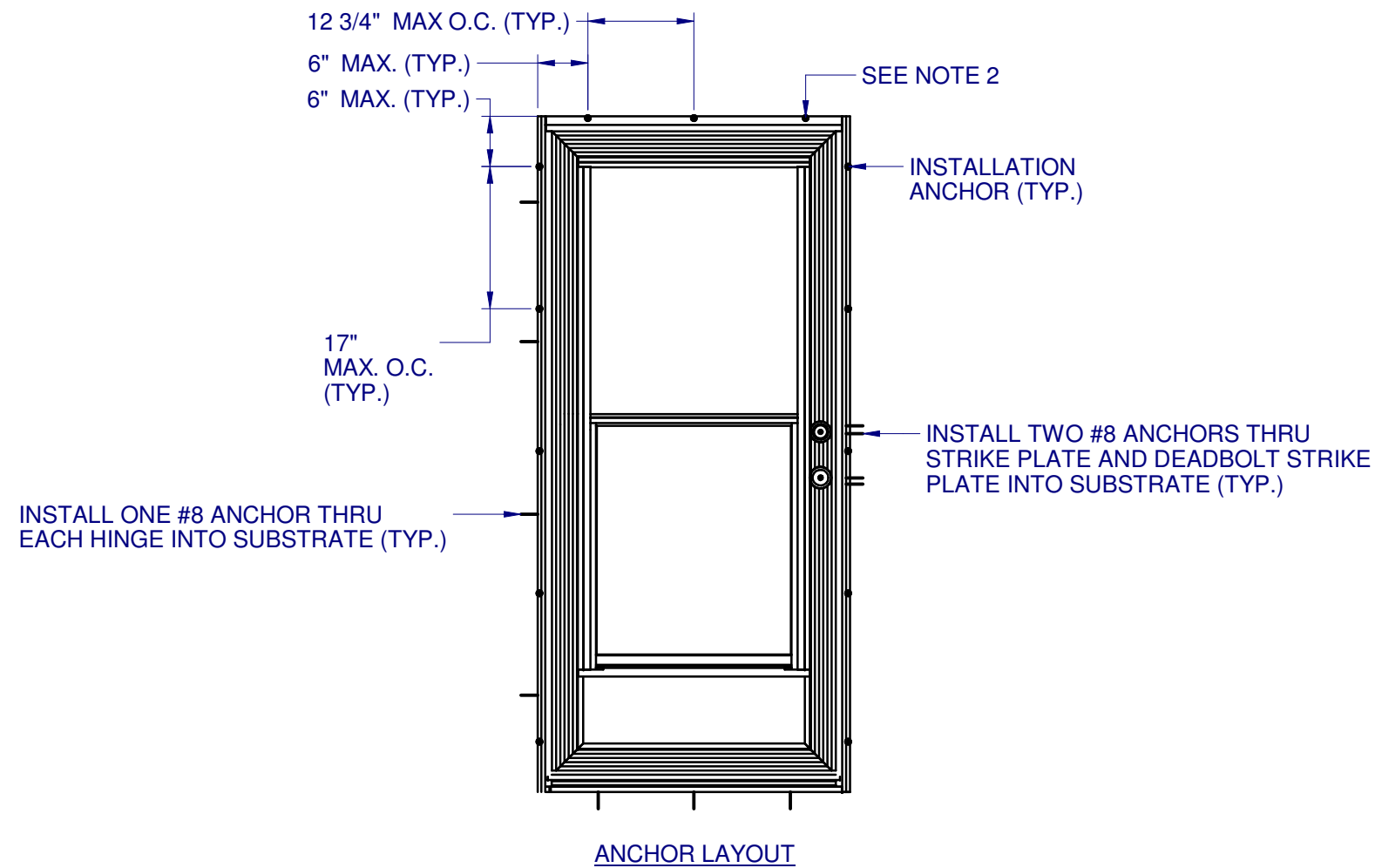
LUCAS A. TURNER, P.E.
FL PE # 58201
1239 JABARA AVE.
NORTH PORT, FL 34288
PH. 941-380-1574

SHEET DESCRIPTION:

BOM AND EXTRUSIONS

DRAWN BY: ADE	DATE: 09/08/08
DWG #: CWS-176	REV.: E
SCALE: 1:2	SHEET 4 OF 6

**1000 ALUM.
GUARDIAN DOOR
NON-IMPACT**

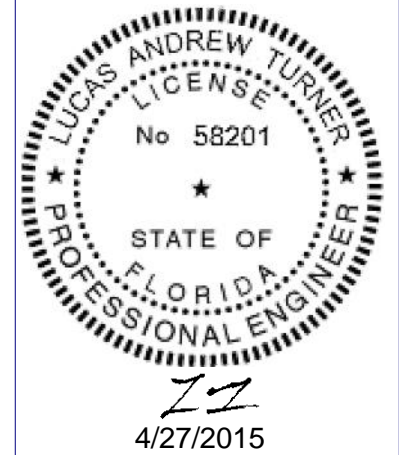


ANCHOR LAYOUT

NOTES:

1. INSTALL ONE ANCHOR AT EACH INSTALLATION LOCATION. SILL ANCHOR SPACING SAME AS HEAD.
2. SHIM AS REQ AT EACH INSTALLATION ANCHOR USING LOAD BEARING SHIMS. MAX. ALLOWABLE SHIM STACK TO BE 1/4". USE SHIMS WHERE SPACE GREATER THAN 1/16" IS PRESENT. LOAD BEARING SHIMS SHALL BE CONSTRUCTED OF HIGH DENSITY PLASTIC OR BETTER. WOOD SHIMS ARE NOT ALLOWED.
3. ANCHOR TYPE, SIZE, SPACING AND EMBEDMENT SHALL BE AS SPECIFIED IN THESE DRAWINGS, SEE TABLE 1, SHEET 6.
4. ALL INSTALLATION ANCHORS MUST BE MADE OF OR PROTECTED WITH A CORROSION RESISTANT MATERIAL OR COATING. DISSIMILAR METALS OR MATERIALS IN CONTACT WITH PRESSURE TREATED WOOD MUST BE PROTECTED TO PREVENT REACTION.
5. INSTALLATION ANCHORS SHALL BE IN ACCORDANCE WITH ANCHOR MANUFACTURER'S INSTALLATION INSTRUCTIONS, AND ANCHORS SHALL NOT BE USED IN SUBSTRATES WITH STRENGTHS LESS THAN THE MINIMUM SPECIFIED IN TABLE 1, SHEET 6.
6. ANCHOR EMBEDMENT TO SUBSTRATE SHALL BE BEYOND WALL DRESSING OR STUCCO.
7. A MINIMUM CENTER-TO-CENTER SPACING SHALL BE MAINTAINED BETWEEN ALL FASTENERS: 3" FOR MASONRY, 1" FOR WOOD AND METAL.
8. WOOD OR MASONRY OPENINGS, BUCKS AND BUCK FASTENERS SHALL BE PROPERLY DESIGNED BY THE ARCHITECT OR ENGINEER OF RECORD AND INSTALLED TO TRANSFER WIND LOADS TO THE STRUCTURE. SUBSTRATES SHALL MEET THE MINIMUM STRENGTH REQUIREMENTS AS SHOWN IN TABLE 1, SHEET 6. CONCRETE AND MASONRY SUBSTRATES MAY NOT BE CRACKED.
9. SEALING AND FLASHING STRATEGIES FOR OVERALL WATER RESISTANCE OF INSTALLATION SHALL BE DONE BY OTHERS FOLLOWING THE CURRENT VERSION OF THE REFERENCE DOCUMENTS: FMA/AAMA 100(FIN WINDOWS), FMA/AAMA 200(FLANGE WINDOWS), FMA/WDMA 250(BOX WINDOWS), FMA/AAMA/WDMA 300(EXTERIOR DOORS)

			04/22/15								
		EMK		TEF	10/17/11	03/13/09				DATE:	
		UPDATED PER 2014 FBC		UPDATED PER 2010 FBC		ADDED VENDOR TO BOM				BY:	
		E	D	C	B	A				NO.:	
										DESCRIPTION:	
											REVISIONS



LUCAS A. TURNER, P.E.
FL PE # 58201
1239 JABARA AVE.
NORTH PORT, FL 34288
PH. 941-380-1574

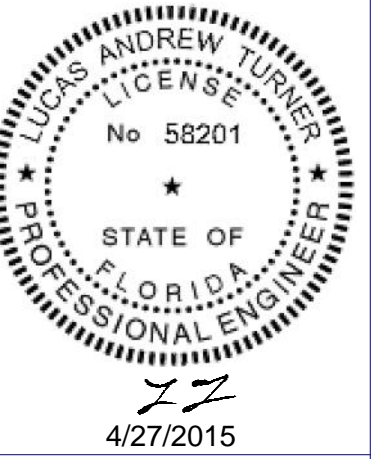
SHEET DESCRIPTION:

ANCHOR SCHEDULE AND NOTES

DRAWN BY: ADE	DATE: 09/08/08
DWG #: CWS-176	REV.: E
SCALE: 1:20	SHEET 5 OF 6

**1000 ALUM.
GUARDIAN DOOR
NON-IMPACT**

					DATE:
					BY:
		EMK	TEF	ADE	NO.:
		04/22/15	10/17/11	03/13/09	DESCRIPTION:
		UPDATED PER 2014 FBC	UPDATED PER 2010 FBC	ADDED VENDOR TO BOM	REVISIONS
		E	D	C	

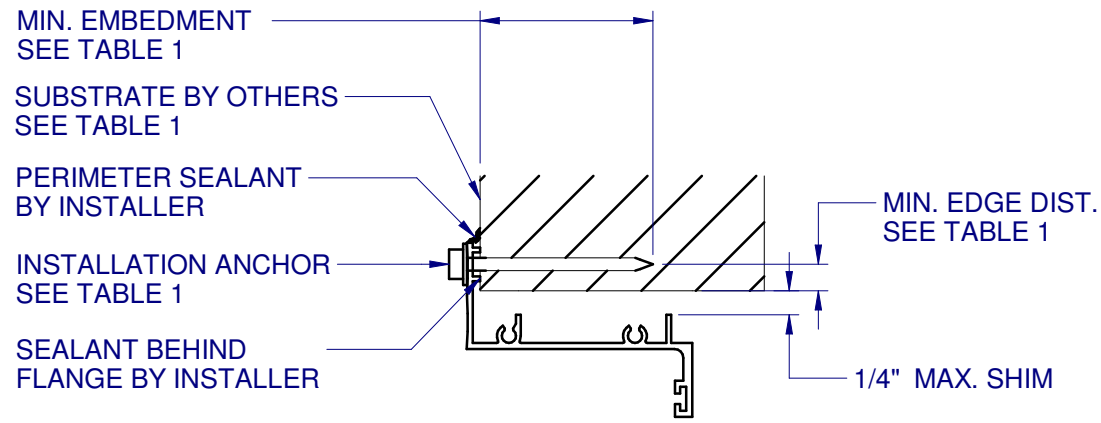


LUCAS A. TURNER, P.E.
FL PE # 58201
1239 JABARA AVE.
NORTH PORT, FL 34288
PH. 941-380-1574

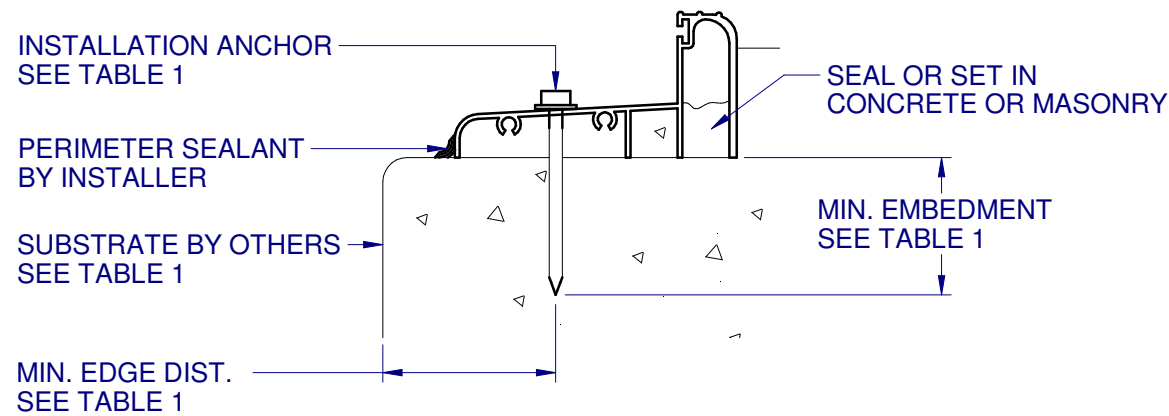
SHEET DESCRIPTION:
INSTALLATION DETAILS

DRAWN BY: ADE	DATE: 09/08/08
DWG #: CWS-176	REV.: E
SCALE: 1:2	SHEET 6 OF 6

TYPICAL HEAD ANCHORAGE

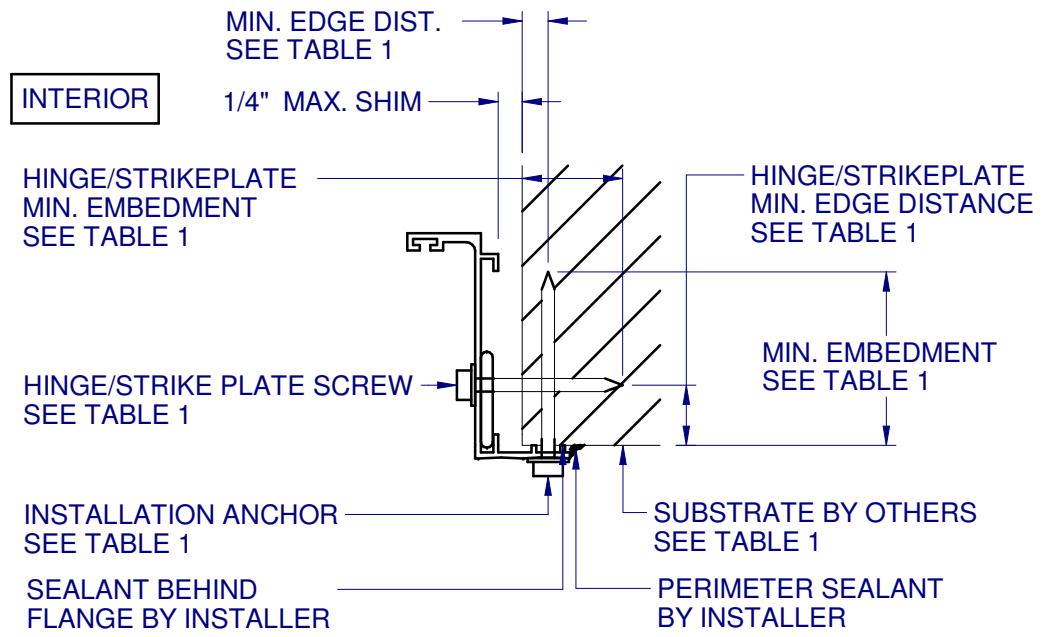


INTERIOR



A VERTICAL SECTION
6 TYPICAL SILL ANCHORAGE

INTERIOR



B HORIZONTAL SECTION
6 TYPICAL JAMB ANCHORAGE

SUBSTRATE TYPE	ANCHOR TYPE	MIN. EMBEDMENT	MIN. EDGE DIST.
CONCRETE (2.0 KSI MIN.)	3/16" ITW TAPCON	1"	1-1/8"
CONCRETE (2.85 KSI MIN.)	3/16" ELCO ULTRACON	1"	1"
2X MIN. SOUTHERN PINE (G=0.55)	#10 WOOD SCREW	1-3/8"	1/2"
0.045" ALUM. (6063-T5 MIN.) OR 0.045" STEEL (33 KSI MIN.)	#10 GRADE 5 SELF-TAPPING / DRILLING SCREW	FULL THREAD THRU 0.045"	1/2"
HINGE AND STRIKE PLATE ANCHORS 2X MIN. SOUTHERN PINE (G=0.55)	#8 WOOD SCREW	1-3/8"	7/8"

NOTE: GLAZED WINDOW FRAME ATTACHMENT SHALL FOLLOW ALUMINUM ANCHORAGE AS SHOWN IN TABLE 1.