

Features and Options	PD-2
Size and Performance Data.....	PD-2
Glazing Performance.....	PD-3
Design Data	PD-5
Detailed Product Descriptions	PD-6
Unit Sections	
Frame Types and Glazing Options.....	PD-7
In-Swing Narrow-Stile Dual-Pane Glazing.....	PD-8
In-Swing Wide-Stile Dual-Pane Glazing.....	PD-10
Out-Swing Narrow-Stile Dual-Pane Glazing	PD-12
Out-Swing Wide-Stile Dual-Pane Glazing	PD-14

Document Navigation Tips:

Items listed in the table of contents above are active links that will take you to the corresponding page.

The logo on each page is a link back to this table of contents.

Bookmarks are also included in this PDF document and are available as an additional navigation option.

Features and Options

Glazing

Glazing Type

- Dual-Pane Tempered Insulating Glass
- Triple-Pane Tempered Insulating Glass
- Dual-Pane Laminated Insulating Glass

Insulated Glass Options/Low-E Types

- Low-E 366
- Low-E 366/i89
- Low-E 270

Gas Fill

- Argon
- Air Filled (Only available on High Altitude Products)

Frame and Panels

- Thermally Broken Aluminum

Finishes₁

- Satin Anodized, Black Anodized

Hardware

Finishes₁

- Satin Nickel, Black

Performance Data₂

Standard - Non-Impact Glazing

Meets or Exceeds AAMA /WDMA Ratings	— Not Certified
Air Infiltration (cfm / ft ² of frame @ 1.57 psf wind pressure)	—
Water Resistance	—
Design Pressure	—

Other Performance Criteria

Forced Entry Resistance Level (Minimum Security Grade) ₃	—
---	---

(—) = Not Available

(1) Contact your local sales representative for current designs and color options.

(2) Maximum performance for single unit when glazed with the appropriate glass thickness.

(3) The higher the level, the greater the product's ability to resist forced entry. Valid only if Manufacturer supplied locking system is used.

NOTE: Performance with additional options may not be the same as Standard and Special size units. Please contact your local sales representative for complete information.



Glazing Thickness	Type of Glazing	NFRC Certified Product #	Glass (mm)		Gap Fill	Performance Values ₁				Shaded Areas Meet ENERGY STAR® Performance Criteria in Zones Shown						
			Ext.	Int.		U-Factor	SHGC	VLT	CR	U. S.				Canada ₂		
										Zone				ER	Zone	
Dual-Pane - Narrow Stiles											N	NC	SC	S	CA	
1"	366/ clear	BNE-A-18-01577-00001	5	5	Argon	0.36	0.19	0.41	48							
1"	366/ i89	BNE-A-18-01597-00001	5	5	Argon	0.33	0.18	0.40	48							
1"	270/ clear	BNE-A-18-01569-00001	5	5	Argon	0.36	0.24	0.44	48							
1"	366/ clear	BNE-A-18-01575-00001	5	5	Air	0.39	0.19	0.41	48							
1"	366/ i89	BNE-A-18-01595-00001	5	5	Air	0.35	0.19	0.40	46							
1"	270/ clear	BNE-A-18-01567-00001	5	5	Air	0.39	0.25	0.44	48							
Dual-Pane Laminated - Narrow Stiles											N	NC	SC	S	CA	
1-1/4"	366/ clear	BNE-A-18-01625-00004	5	5	Argon	0.37	0.19	0.40	49							
1-1/4"	366/ i89	PENDING	5	5	Argon											
1-1/4"	270/ clear	BNE-A-18-01625-00002	5	5	Argon	0.37	0.24	0.43	49							
1-1/4"	366/ clear	BNE-A-18-01621-00004	5	5	Air	0.40	0.19	0.40	49							
1-1/4"	366/ i89	PENDING	5	5	Air											
1-1/4"	270/ clear	BNE-A-18-01621-00002	5	5	Air	0.40	0.24	0.43	49							

Glazing Thickness	Type of Glazing	NFRC Certified Product #	Glass (mm)			Gap Fill	Performance Values ₁				Shaded Areas Meet ENERGY STAR® Performance Criteria in Zones Shown					
			Ext.	Mid.	Int.		U-Factor	SHGC	VLT %	CR	U. S.				Canada ₂	
											Zone				ER	Zone
Triple-Pane Glazing - Narrow											N	NC	SC	S	CA	
1-5/8"	366/ clear/ 180	BNE-A-18-01665-00002	5	5	5	Argon	0.28	0.17	0.36	51			SC	S		
1-5/8"	366/ 180/ i89	BNE-A-18-01685-00002	5	5	5	Argon	0.29	0.17	0.35	50						
1-5/8"	270/ clear/ 180	BNE-A-18-01657-00002	5	5	5	Argon	0.29	0.22	0.39	51						
1-5/8"	366/ clear/ 180	BNE-A-18-01663-00002	5	5	5	Air	0.31	0.17	0.36	50						
1-5/8"	366/ 180/ i89	BNE-A-18-01683-00002	5	5	5	Air	0.31	0.17	0.35	49						
1-5/8"	270/ clear/ 180	BNE-A-18-01655-00002	5	5	5	Air	0.31	0.22	0.39	50						

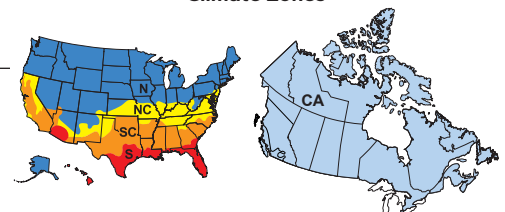
R-Value = 1/U-Factor
 SHGC = Solar Heat Gain Coefficient
 VLT % = Visible Light Transmission
 CR = Condensation Resistance
 ER = Canadian Energy Rating

(1) Glazing performance values are calculated based on NFRC 100, NFRC 200 and NFRC 500. ENERGY STAR® values are updated to 2023 (version 7) criteria.

(2) The values shown are based on Canada's updated ENERGY STAR® 2020 initiative.

Visit www.energystar.gov for Energy Star guidelines.

Climate Zones





Glazing Thickness	Type of Glazing	NFRC Certified Product #	Glass (mm)		Gap Fill	Performance Values ₁				Shaded Areas Meet ENERGY STAR® Performance Criteria in Zones Shown						
			Ext.	Int.		U-Factor	SHGC	VLT	CR	U. S.				Canada ₂		
										Zone				ER	Zone	
Dual-Pane - Wide Stiles											N	NC	SC	S	CA	
1"	366/ clear	BNE-A-18-02617-00001	5	5	Argon	0.38	0.16	0.35	48							
1"	366/ i89	BNE-A-18-02637-00001	5	5	Argon	0.35	0.16	0.34	48							
1"	270/ clear	BNE-A-18-02609-00001	5	5	Argon	0.39	0.21	0.38	48							
1"	366/ clear	BNE-A-18-02615-00001	5	5	Air	0.41	0.17	0.35	48							
1"	366/ i89	BNE-A-18-02635-00001	5	5	Air	0.37	0.16	0.34	46							
1"	270/ clear	BNE-A-18-02607-00001	5	5	Air	0.41	0.21	0.38	48							
Dual-Pane Laminated - Wide Stiles											N	NC	SC	S	CA	
1-1/4"	366/ clear	BNE-A-18-02665-00004	5	5	Argon	0.39	0.16	0.34	49							
1-1/4"	366/ i89	PENDING	5	5	Argon											
1-1/4"	270/ clear	BNE-A-18-02665-00002	5	5	Argon	0.39	0.21	0.37	49							
1-1/4"	366/ clear	BNE-A-18-02661-00004	5	5	Air	0.41	0.16	0.34	48							
1-1/4"	366/ i89	PENDING	5	5	Air											
1-1/4"	270/ clear	BNE-A-18-02661-00002	5	5	Air	0.41	0.21	0.37	48							

Glazing Thickness	Type of Glazing	NFRC Certified Product #	Glass (mm)			Gap Fill	Performance Values ₁				Shaded Areas Meet ENERGY STAR® Performance Criteria in Zones Shown					
			Ext.	Mid.	Int.		U-Factor	SHGC	VLT %	CR	U. S.				Canada ₂	
											Zone				ER	Zone
Triple-Pane Glazing - Wide											N	NC	SC	S	CA	
1-5/8"	366/ clear/ 180	BNE-A-18-02705-00002	5	5	5	Argon	0.32	0.15	0.30	50						
1-5/8"	366/ 180/ i89	BNE-A-18-02725-00002	5	5	5	Argon	0.33	0.15	0.30	49						
1-5/8"	270/ clear/ 180	BNE-A-18-02717-00002	5	5	5	Argon	0.33	0.19	0.32	49						
1-5/8"	366/ clear/ 180	BNE-A-18-02703-00002	5	5	5	Air	0.34	0.15	0.30	50						
1-5/8"	366/ 180/ i89	BNE-A-18-02723-00002	5	5	5	Air	0.34	0.15	0.30	49						
1-5/8"	270/ clear/ 180	BNE-A-18-02715-00002	5	5	5	Air	0.34	0.19	0.32	49						

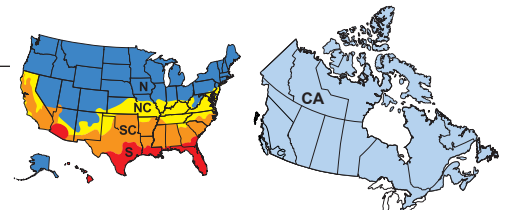
R-Value = 1/U-Factor
 SHGC = Solar Heat Gain Coefficient
 VLT % = Visible Light Transmission
 CR = Condensation Resistance
 ER = Canadian Energy Rating

(1) Glazing performance values are calculated based on NFRC 100, NFRC 200 and NFRC 500. ENERGY STAR® values are updated to 2023 (version 7) criteria.

(2) The values shown are based on Canada's updated ENERGY STAR® 2020 initiative.

Visit www.energystar.gov for Energy Star guidelines.

Climate Zones



Pivot Doors Design Data										
Unit		Actual Frame Size	Clear Opening (Inches) ₁		Vent Area	Visible Glass Ft ²		Standard Glass Thickness (mm) Tempered		Performance Class & Grade ₂
			Width (90°)	Height		Narrow Stile	Wide Stile	Dual-Pane Glazing	Triple-Pane Glazing	
3696	L/R	35.5 x 95.5	21.1	93.9	13.8	15.4	12.9	5	5	—
4896	L/R	47.5 x 95.5	33.1	93.9	21.6	22.5	19.8	5	5	—
6096	L/R	59.5 x 95.5	45.1	93.9	29.4	29.6	26.8	5	5	—
7296	L/R	71.5 x 95.5	57.1	93.9	37.2	36.6	33.7	5	5	—
36108	L/R	35.5 x 107.5	21.1	105.9	15.5	17.6	14.8	5	5	—
48108	L/R	47.5 x 107.5	33.1	105.9	24.3	25.7	22.7	5	5	—
60108	L/R	59.5 x 107.5	45.1	105.9	33.2	33.7	30.6	5	5	—
72108	L/R	71.5 x 107.5	57.1	105.9	42.0	41.8	38.5	5	5	—
36120	L/R	35.5 x 119.5	21.1	117.9	17.3	19.8	16.7	5	5	—
48120	L/R	47.5 x 119.5	33.1	117.9	27.1	28.9	25.6	5	5	—
60120	L/R	59.5 x 119.5	45.1	117.9	36.9	37.9	34.5	5	5	—
72120	L/R	71.5 x 119.5	57.1	117.9	46.7	47.0	43.4	5	5	—

Special Sizes

Frame Width		Frame Height	
Minimum	Maximum	Minimum	Maximum
28"	71.5"	56"	143.5"

Special Sizes available in 1/4" Increments

Dimension	Formula
Rough Opening Width	FW + .5"
Rough Opening Height	FH + .5"
Clear Opening (Approximate)	FW - 14.4076" (Pivot located 10" from hinge jamb) FH - 1.5978
Visible Glass Width	Narrow Stiles: FW - 9.2864 Wide Stiles: FW - 13.025
Visible Glass Height	Narrow Stiles: FH - 10.7191 Wide Stiles: FH - 12.5886

Hardware Handle	Dimension from bottom of panel to center of lock thumbturn
48" Ladder Pull Bar	36"
71" Ladder Pull Bar	36"

(-) = Not Applicable

(1) All dimensions are approximate to the nearest 1/16".

(2) Maximum performance when glazed with the appropriate glass thickness. All doors and sidelights are Tempered glass. To convert areas to square meters (m²), multiply square feet by 0.0929.



Frame

- Extruded aluminum head and jambs with thermal breaks.
- Extruded aluminum low-profile sill with thermal breaks.
- Frame Finish is [Satin Anodized] [Black Anodized].
- Frame Depth 4-1/2"
- Corners are secured with metal fasteners.

Door Panels

- Extruded aluminum [Narrow Stiles/Rails] [Wide Stiles/Rails] with thermal breaks.
- Corners are secured with metal fasteners.

Weatherstripping

- Dual-durometer extruded polymer along perimeter of door jambs.
- Extruded pile with quiet fin at top and sides of door panel. Silicone drop seal at door panel bottom.

Glazing System¹

- Quality fully-tempered float glass complying with ASTM C 1048.
- High altitude glazing available.
- Silicone-glazed, 1" double-pane, dual-seal, insulating glass
- [[366/Clear] [366/i89] [270/Clear] Low-E [with argon]]
-or-
- Silicone-glazed, 1-1/4" double-pane, dual-seal, laminated, insulating glass.
- [[366/Clear] [270/Clear] Low-E [with argon]]
-or-
- Silicone-glazed, 1-5/8" triple-pane, dual-seal, insulating glass
- [[366/Clear/180] [366/180/i89] [270/Clear/180] Low-E [with argon]].

Hardware

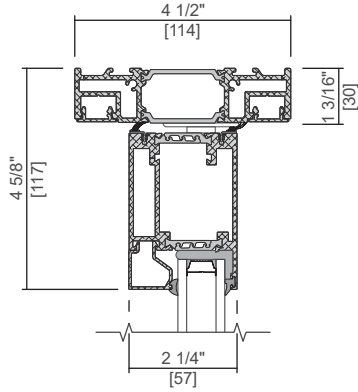
- [48"] [71"] Ladder Pull Bar handle. Hardware finish is [Satin Nickel] [Matte Black].
- Single deadbolt locking system.
- Doors 8'0" frame height and below will have one (1) roller catch below the deadbolt and one (1) roller catch above the deadbolt.
- Doors over 8'0" frame height up to and including 12'0" will have an additional roller catch above the deadbolt.
- Doors over 8'0" frame height up to and including 10'0" frame height will have one (1) roller catch centered on the pivot side.
- Doors over 10'0" frame height up to and including 12'0" will have two (2) roller catches on the pivot side.
- Roller catches to match handle finish color
- Key cylinder and thumb turn is located 36" from the bottom of the panel to center of the thumb turn. Available in [satin nickel][matte black] finishes.
- Pivot point is 11.166" from edge of frame. Pivot hardware to match handle finish color.

(1) Insulating glass with argon is Low-E coated. All other insulating glass is air-filled.

(2) Contact your local sales representative for current color options.

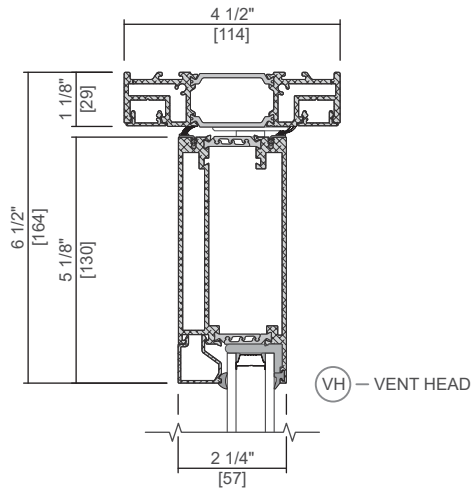
NARROW STILE

Standard Block Frame



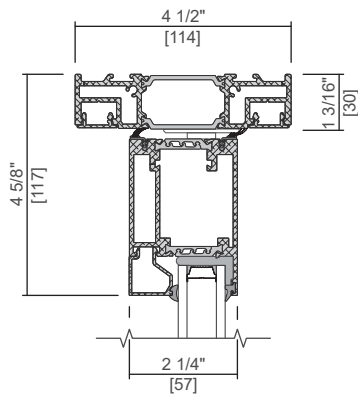
LARGE STILE

Standard Block Frame

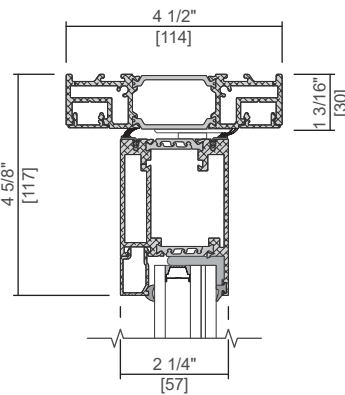


GLAZING OPTIONS

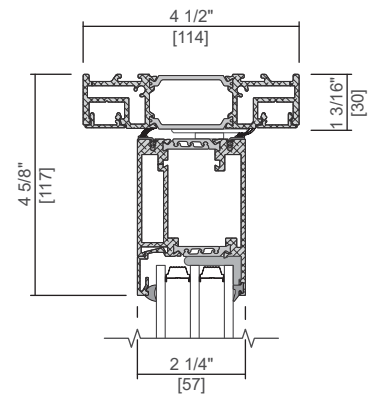
1" Dual IG



1-1/4" Laminated IG

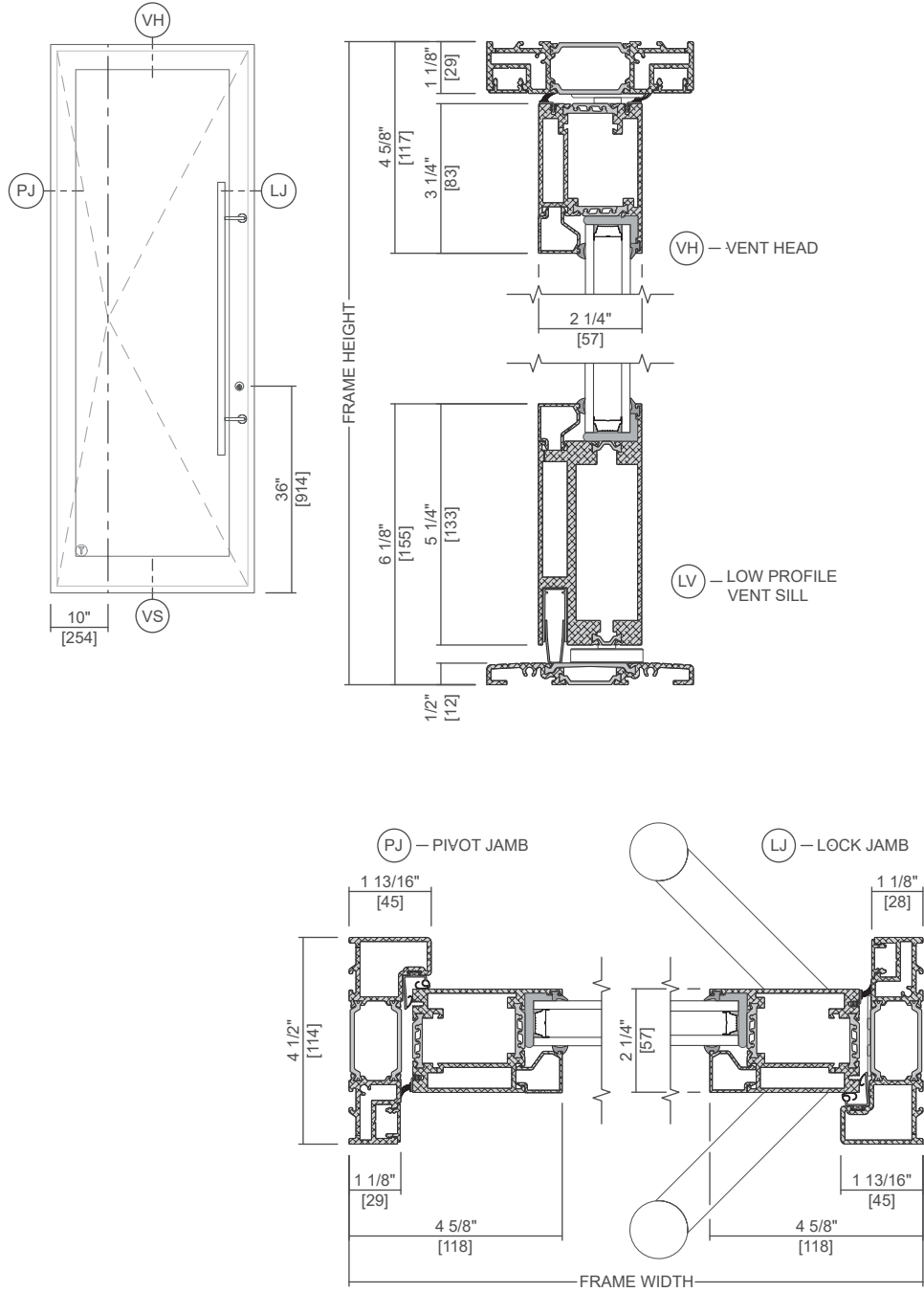


1-5/8" Triple IG



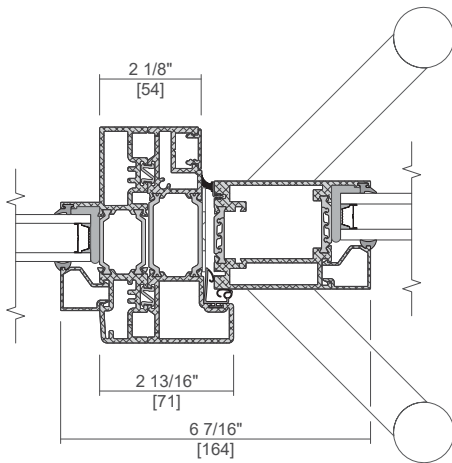
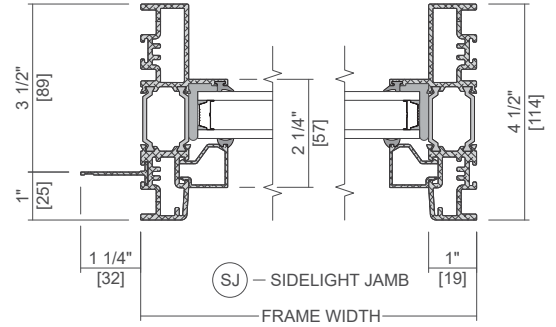
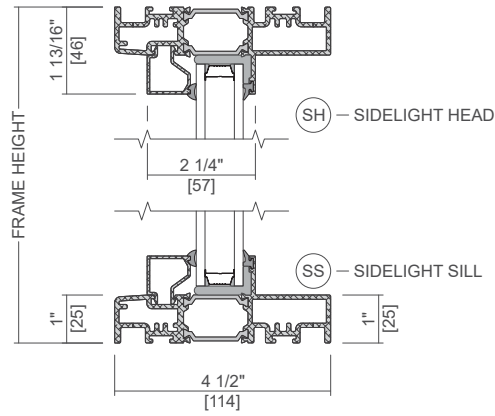
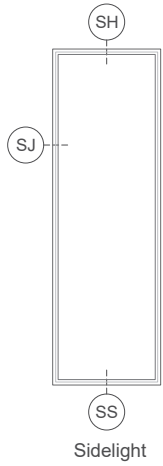
Scale 3" = 1' 0"

All dimensions are approximate.

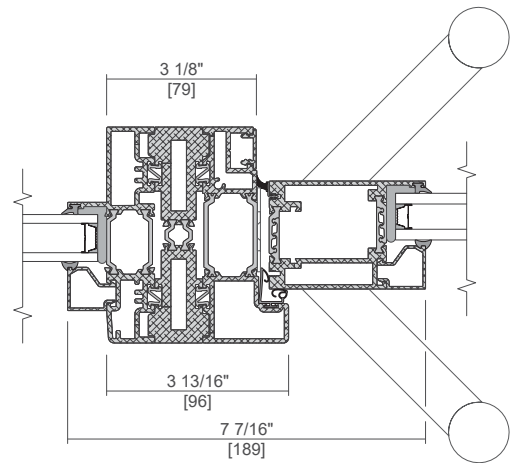


Scale 3" = 1' 0"

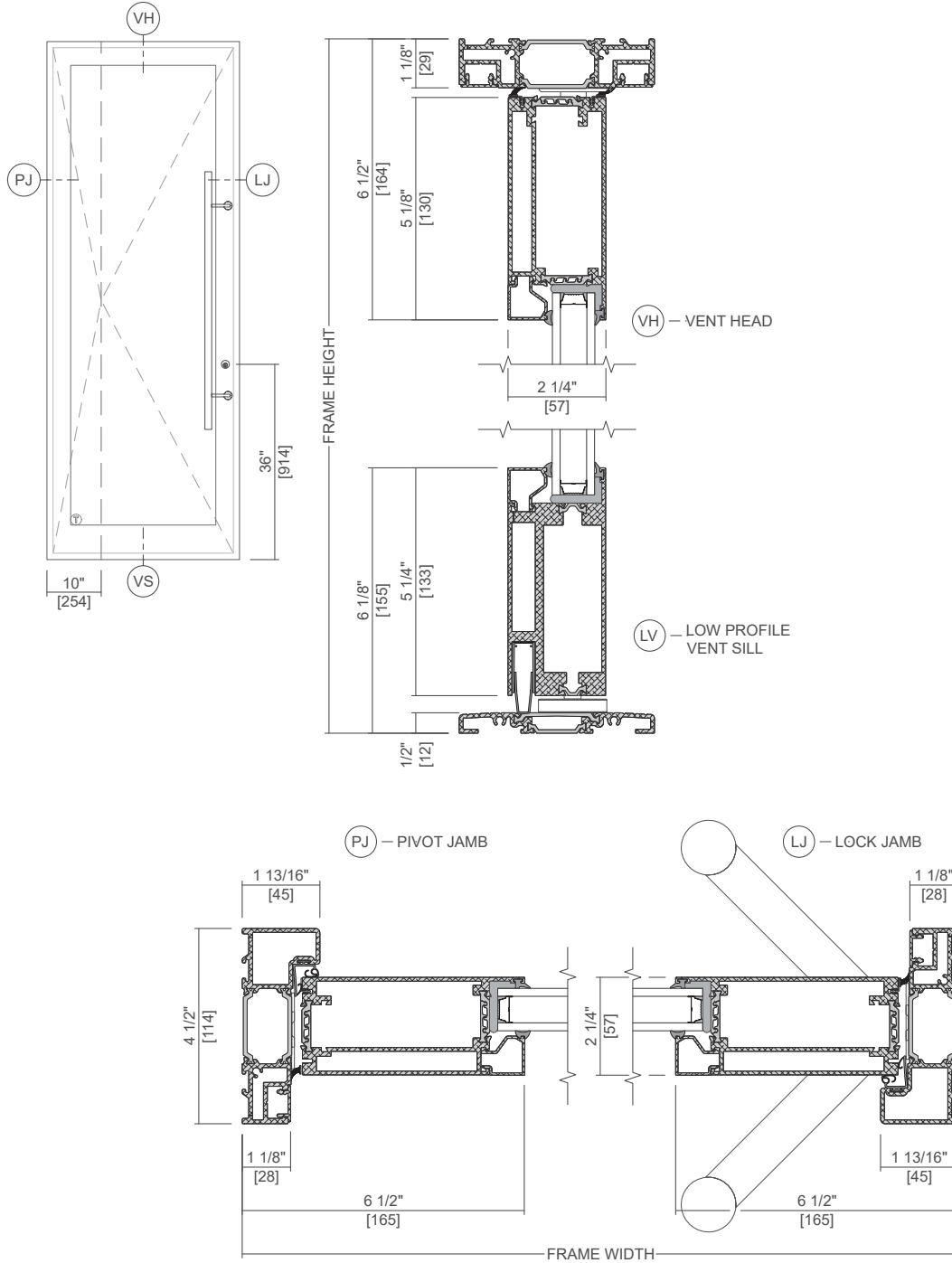
All dimensions are approximate.



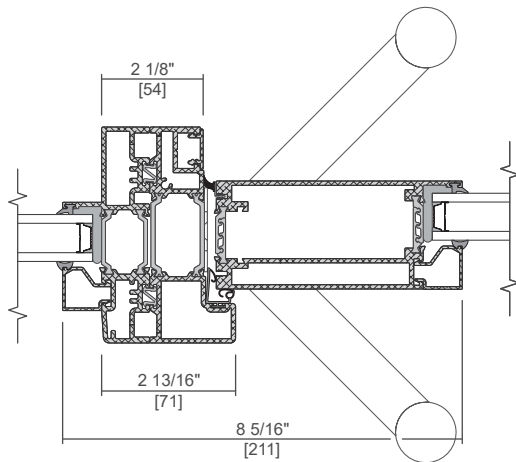
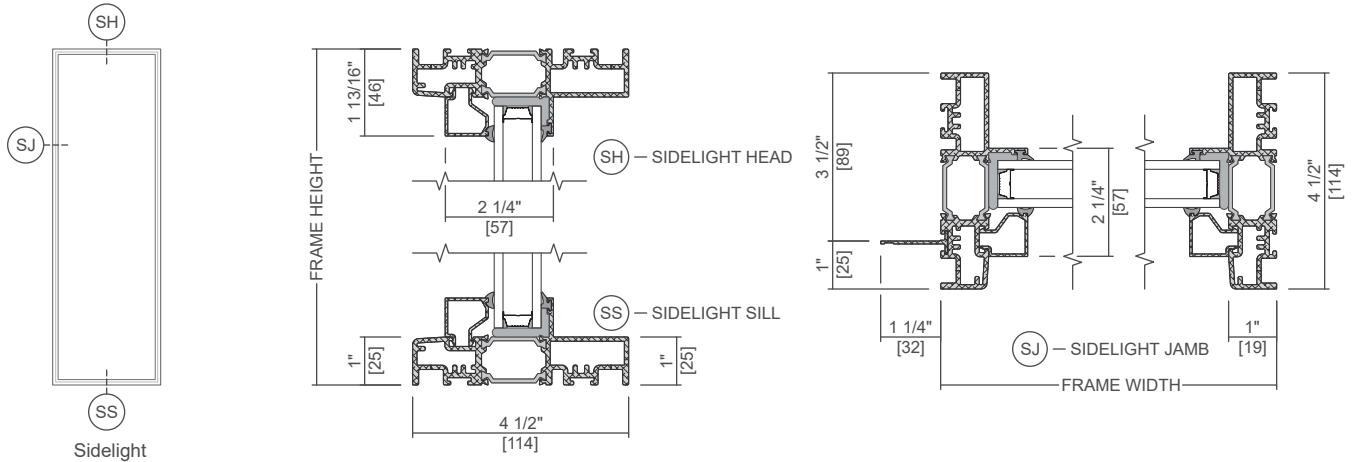
VERTICAL TIGHT MULLION
DIRECT SET / PIVOT
NARROW STILE DOOR



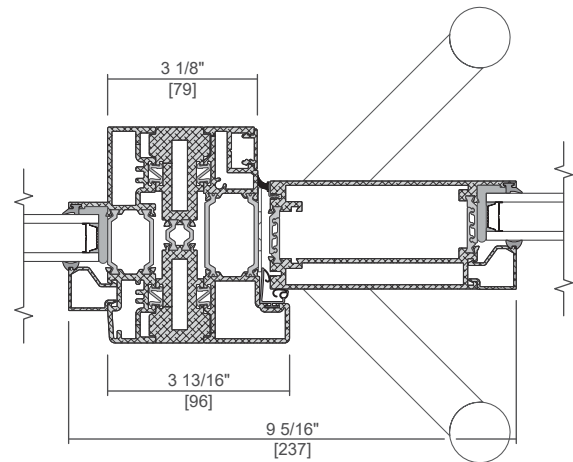
VERTICAL 1" MULLION
DIRECT SET / PIVOT
NARROW STILE DOOR



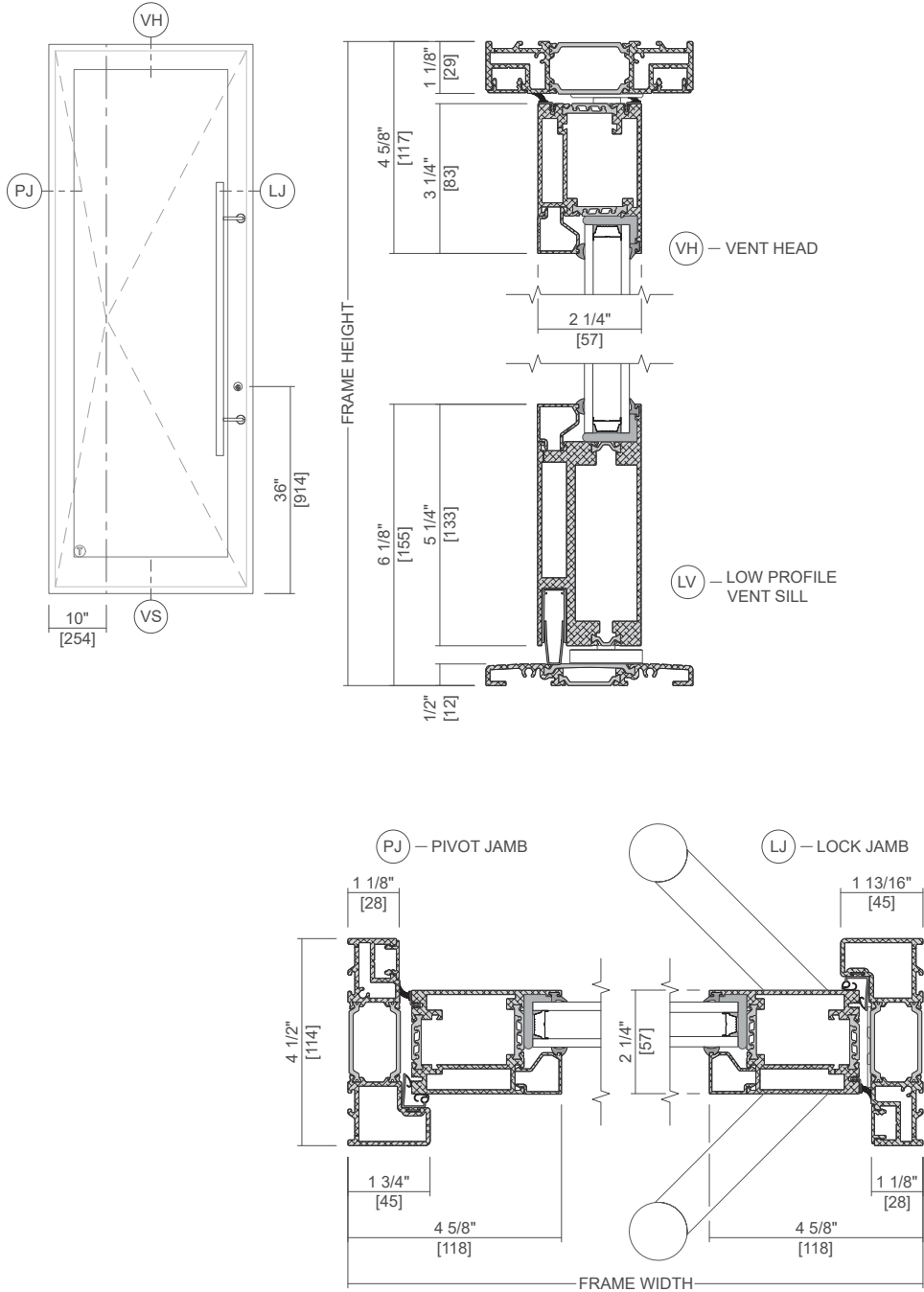
Scale 3" = 1' 0"
All dimensions are approximate.



VERTICAL TIGHT MULLION
DIRECT SET / PIVOT
WIDE STILE DOOR

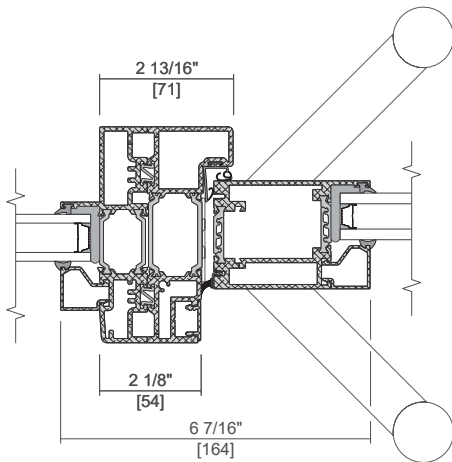
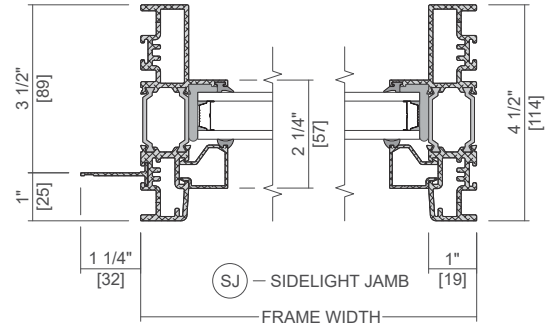
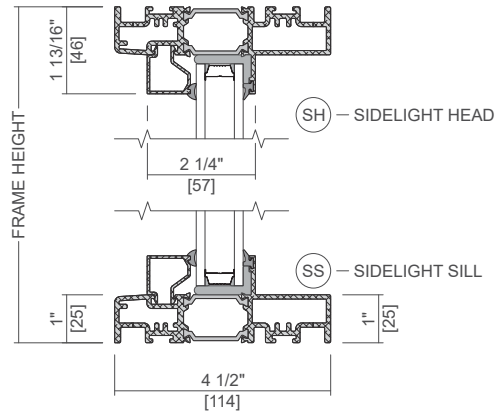
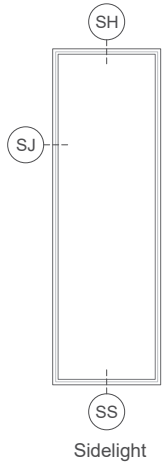


VERTICAL 1" MULLION
DIRECT SET / PIVOT
WIDE STILE DOOR

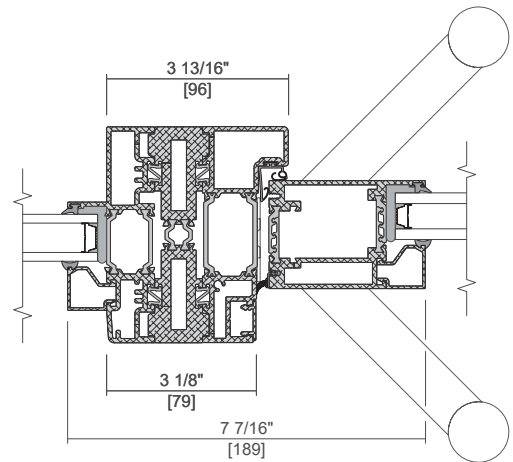


Scale 3" = 1' 0"

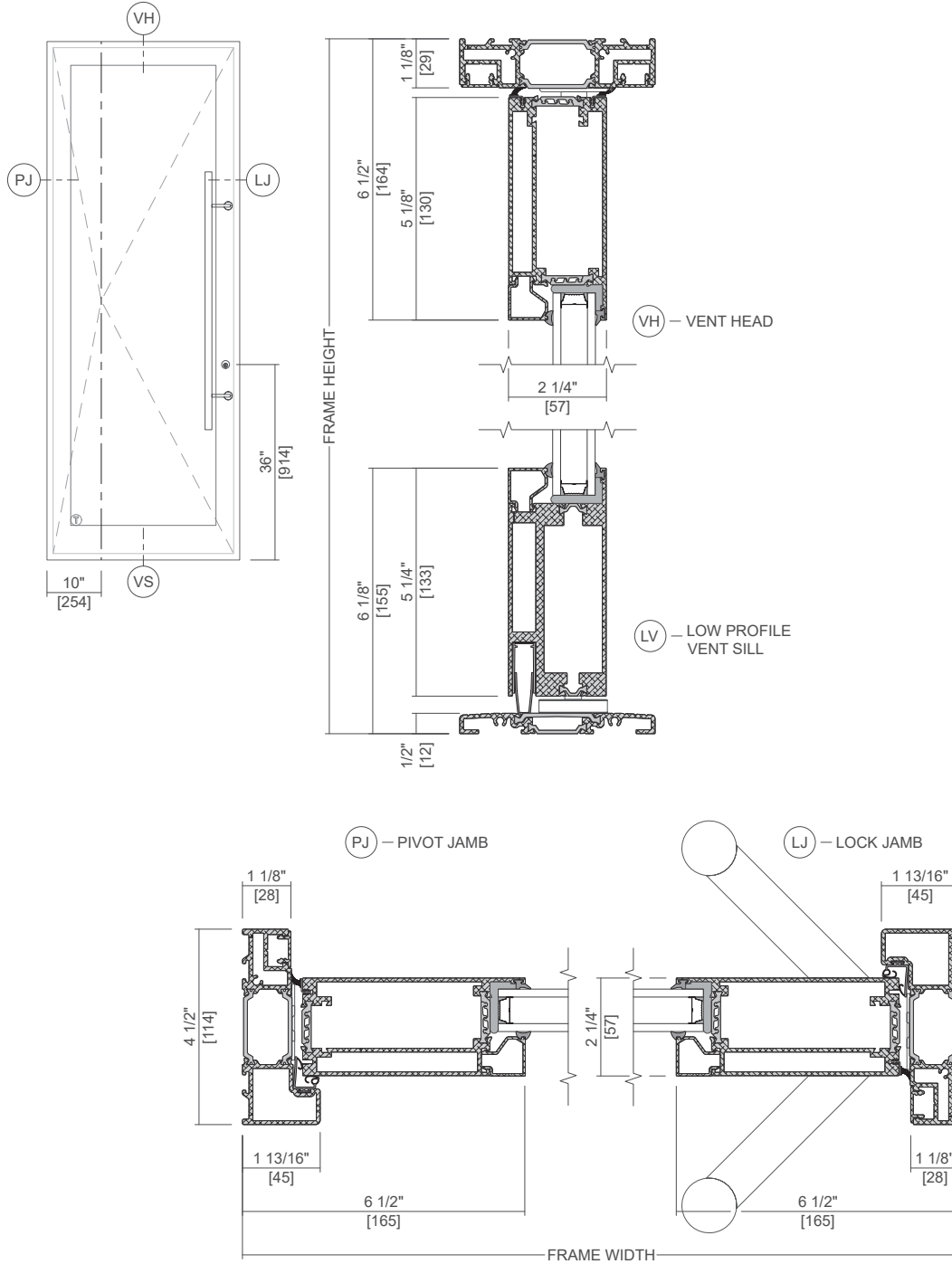
All dimensions are approximate.



VERTICAL TIGHT MULLION
DIRECT SET / PIVOT
NARROW STILE DOOR

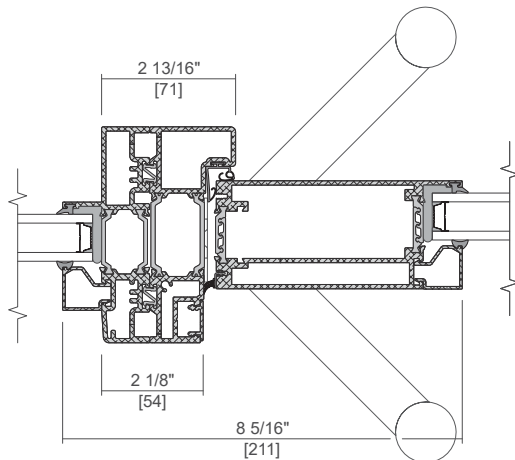
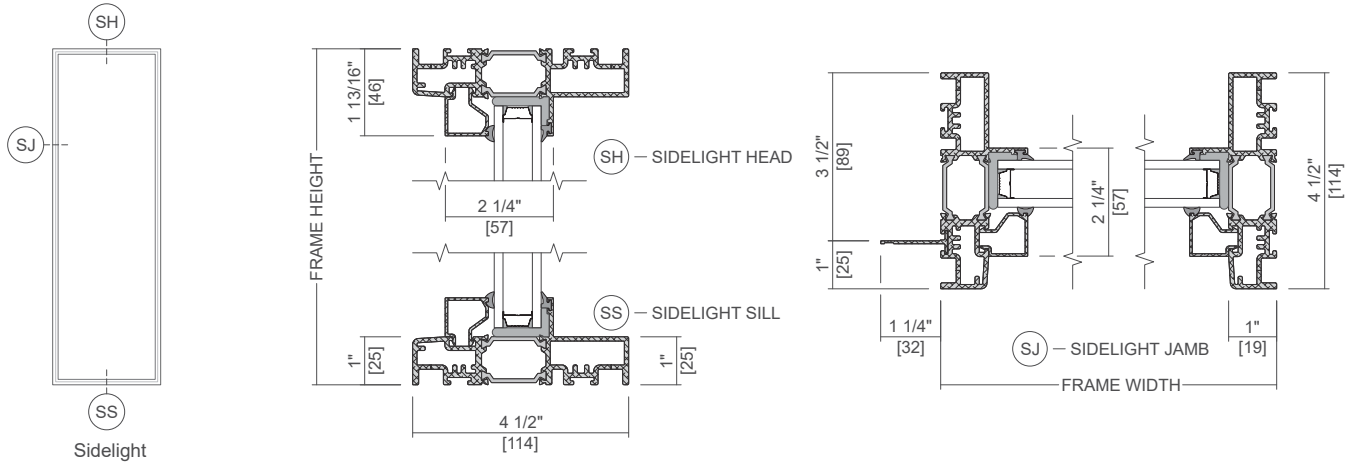


VERTICAL 1" MULLION
DIRECT SET / PIVOT
NARROW STILE DOOR

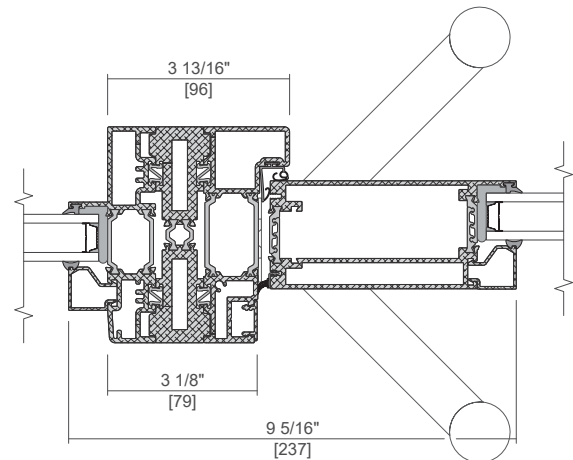


Scale 3" = 1' 0"

All dimensions are approximate.



VERTICAL TIGHT MULLION
DIRECT SET / PIVOT
WIDE STILE DOOR



VERTICAL 1" MULLION
DIRECT SET / PIVOT
WIDE STILE DOOR

Scale 3" = 1' 0"

All dimensions are approximate.