

Add timeless sophistication to your design with the true modern styling of a Bonelli aluminum pivot door. With superior performance and options for every design, our pivot door solutions achieve your design vision without compromise.

SPECIFICATIONS

5mm Insulating Glass Sizes*

- Max: 5'x9', 4.5'x10'

6mm Insulating Glass Sizes*

- Max: 5'x8', 180lbs.

* Larger sizes coming soon

Product Dimensions

- Standard: 5-1/4" bottom rail with 3-1/4" stiles and top rail
- Custom: 5-1/8" stiles and top rail

Configurations

- Left- or right-handed
- Interior or exterior pivot

Attachment Method

- Block Frame

Structural Performance

- DP 30

FRAME FINISHES



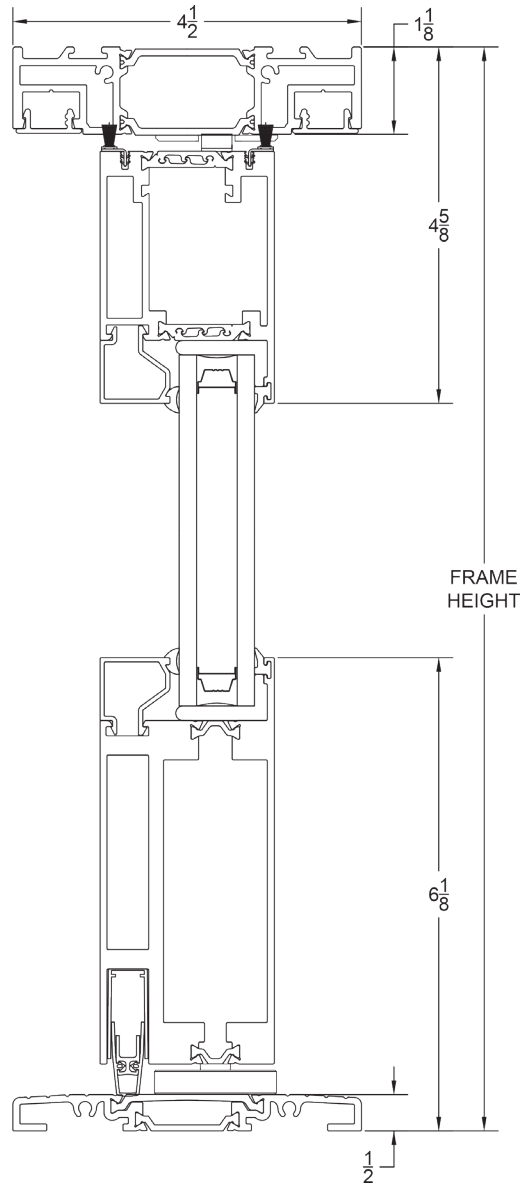
HARDWARE

- Standard: 48" or 72" Ladder Pull
- Roller Catches with Deadbolt
- FritsJürgen Pivot System
- Custom: Electronic Deadbolt

HARDWARE FINISH OPTIONS



CROSS SECTION



Pivot Door Cross Section