

# SLIDING GLASS DOOR - NON-IMPACT

## GENERAL NOTES:

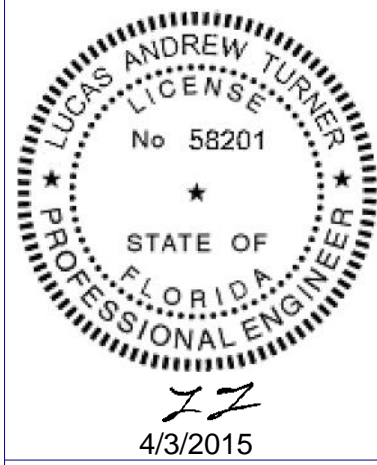
1. THE PRODUCT SHOWN HEREIN IS DESIGNED AND MANUFACTURED TO COMPLY WITH THE FLORIDA BUILDING CODE (FBC), CURRENT EDITION AND IS RATED FOR USE IN THE HIGH VELOCITY HURRICANE ZONE (HVHZ).
2. GLAZING OPTIONS: (SEE SHEET 2)
3. APPROVED CONFIGURATIONS INCLUDE BUT ARE NOT LIMITED TO: "XO", "OX", "OXO", "OXXO".
4. DESIGN PRESSURE RATING (SEE SHEET 2):  
 -NEGATIVE DESIGN LOADS BASED ON, TESTED PRESSURE AND GLASS TABLES ASTM E-1300-04.  
 -POSITIVE DESIGN LOADS BASED ON, TESTED PRESSURE, WATER INFILTRATION TEST PRESSURE AND GLASS TABLES ASTM E-1300-04.
5. ANCHORAGE: THE 33 1/3% STRESS INCREASE HAS NOT BEEN USED IN THE DESIGN OF THIS PRODUCT. SEE SHEET 7 FOR ANCHOR DETAILS. WINDLOAD DURATION FACTOR  $C_d=1.6$  WAS USED FOR WOOD ANCHOR CALCULATIONS.
6. NOT APPROVED FOR IMPACT RESISTANCE. IMPACT PROTECTIVE SYSTEM IS REQUIRED IN WIND BORNE DEBRIS REGION.
7. ALL FRAMES ARE PROCESSED AND SCREWED TOGETHER. VENTS ARE FULLY WELDED.
8. SERIES / MODEL DESIGNATION SGD-8900.
9. THE DESIGNATION X AND O STAND FOR THE FOLLOWING:  
 X = OPERABLE SASH, O = FIXED SASH
10. SECTION CALLOUTS APPLY TO ALL CONFIGURATIONS IN A SIMILAR LOCATION.
11. WEEP SLOTS = 1/4" x 1-1/4" LOCATED 3" FROM BOTH ENDS.



1900 SW 44TH AVE.  
 OCALA, FLORIDA 34474  
 WWW.CWS.CC

## 8900 PVC SLIDING GLASS DOOR NON-IMPACT

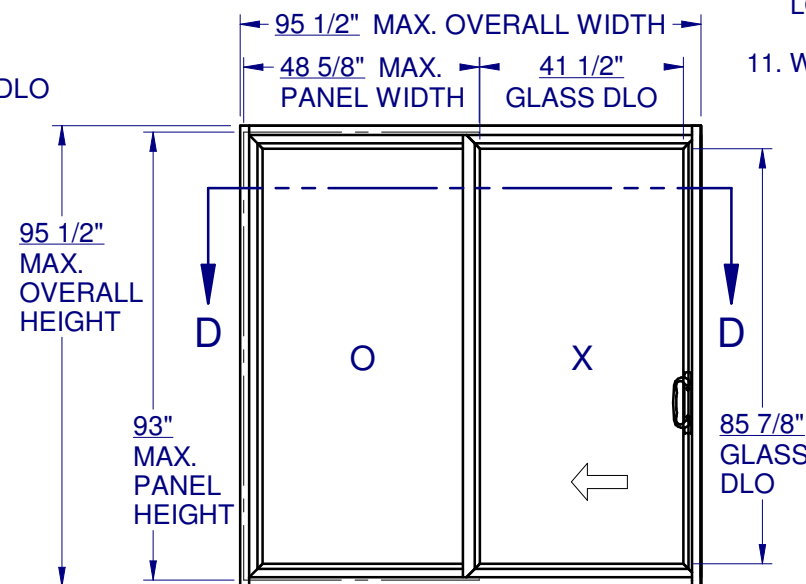
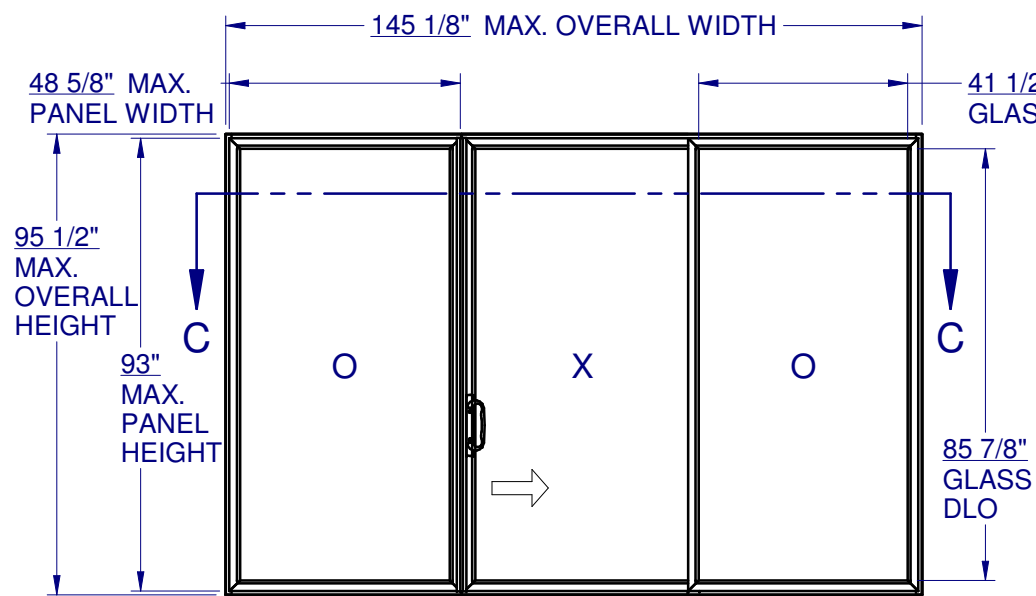
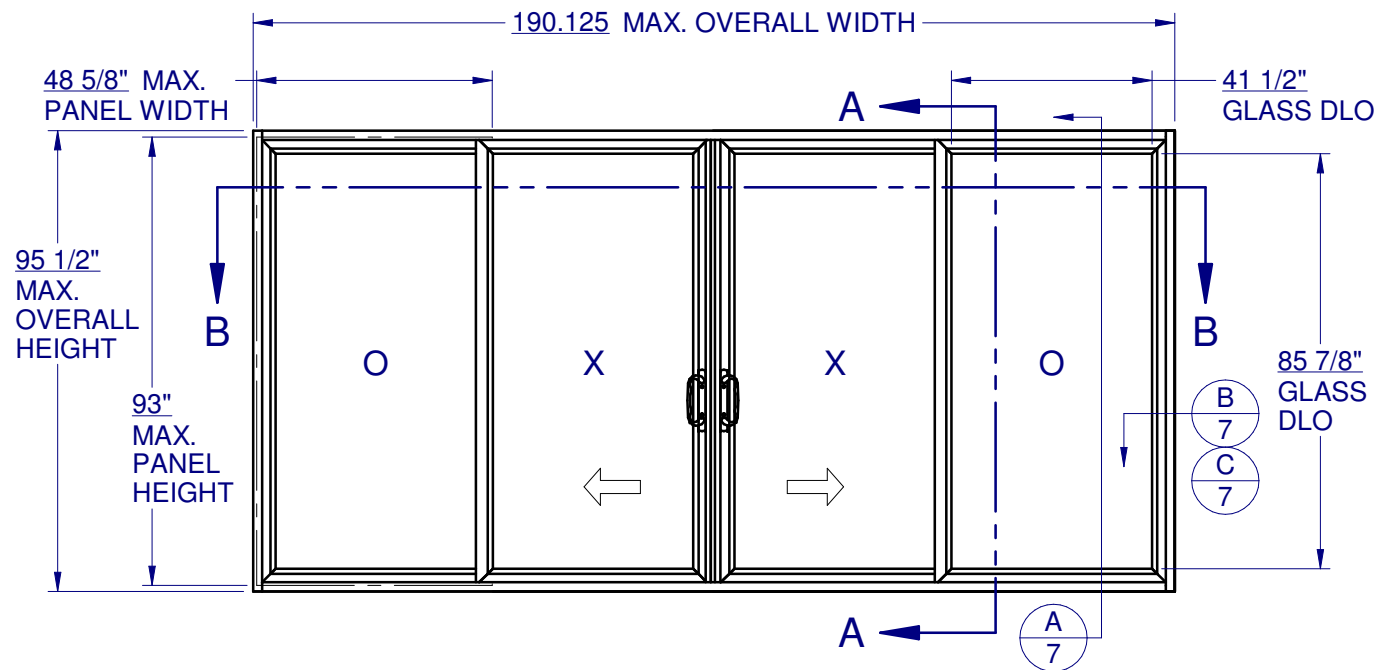
NO.:	DESCRIPTION:	BY:	DATE:
B	UPDATED PER 2014 FBC	EMK	03/27/15
A	UPDATED PER 2010 FBC	TEF	10/30/11



LUCAS A. TURNER, P.E.  
 FL PE # 58201  
 1239 JABARA AVE.  
 NORTH PORT, FL 34288  
 PH. 941-380-1574

SHEET DESCRIPTION:  
 GENERAL NOTES AND ELEVATIONS

DRAWN BY: ADE	DATE: 10/30/09
DWG #: CWS-496	REV.: B
SCALE: 1:40	SHEET 1 OF 7



### TABLE OF CONTENTS

GENERAL NOTES & ELEVATIONS.....	1
GLAZING DETAILS & DP CHART.....	2
SECTION VIEWS.....	3-4
BOM & EXTRUSIONS.....	5
ANCHOR SCHEDULE & NOTES.....	6
INSTALLATION DETAILS.....	7

MAX. PANEL SIZE	DESIGN PRESSURE RATING	IMPACT RATING
48-5/8" x 93"	SEE COMPARATIVE ANALYSIS CHART, SHEET 2	NONE

MAX. OF FOUR (4) PANELS IS ALLOWED AS LONG AS INDIVIDUAL PANELS DO NOT EXCEED PANEL SIZE AS SHOWN.

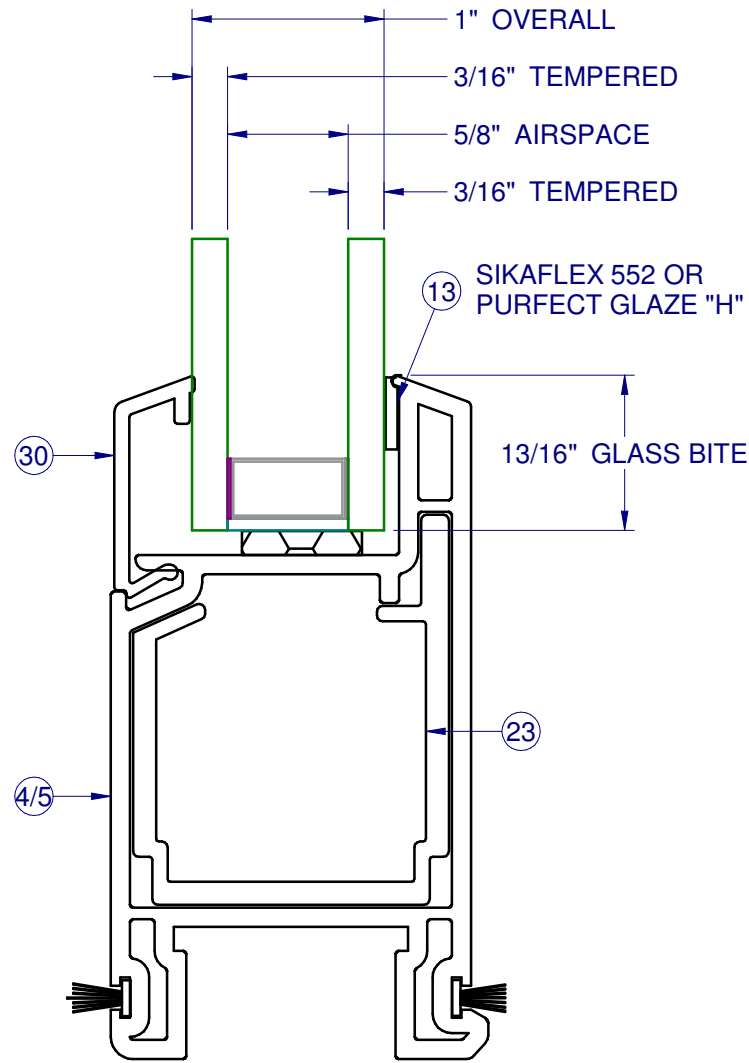
		Width											
		59.5	71.5	84	95.5	91	109	126	145	118	142	168	190
Panel Size	Configuration	30.625	36.625	42.875	48.625	30.625	36.625	42.25	48.625	30.625	36.625	42.625	48.625
Unit Height	Glass Type												
80	A	-90/+60	-90/+60	-82.2/+60	-72/+60	-90/+60	-90/+60	-82.2/+60	-72/+60	-90/+60	-90/+60	-82.2/+60	-72/+60
84	A	-90/+60	-87.3/+60	-78.4/+60	-68.5/+60	-90/+60	-87.3/+60	-78.4/+60	-68.5/+60	-90/+60	-87.3/+60	-78.4/+60	-68.5/+60
90	A	-90/+60	-80/+60	-71.6/+60	-64/+60	-90/+60	-80/+60	-71.6/+60	-64/+60	-90/+60	-80/+60	-71.6/+60	-64/+60
96	A	-85.3/+60	-73.8/+60	-65.8/+60	+60/-60	-85.3/+60	-73.8/+60	-65.8/+60	+60/-60	-85.3/+60	-73.8/+60	-65.8/+60	+60/-60



1900 SW 44TH AVE.  
OCALA, FLORIDA 34474  
WWW.CWS.CC

### 8900 PVC SLIDING GLASS DOOR NON-IMPACT

NO.	DESCRIPTION:	BY:	DATE:
B	UPDATED PER 2014 FBC	EMK	03/27/15
A	UPDATED PER 2010 FBC	TEF	10/30/11



GLASS TYPE A

SILL RISER	MAX. POSITIVE DP
* NONE	60
1737	60

\* INSTALLATION WITH NO SILL RISER ALLOWED ONLY WHERE WATER INFILTRATION RESISTANCE IS NOT REQUIRED.



4/3/2015

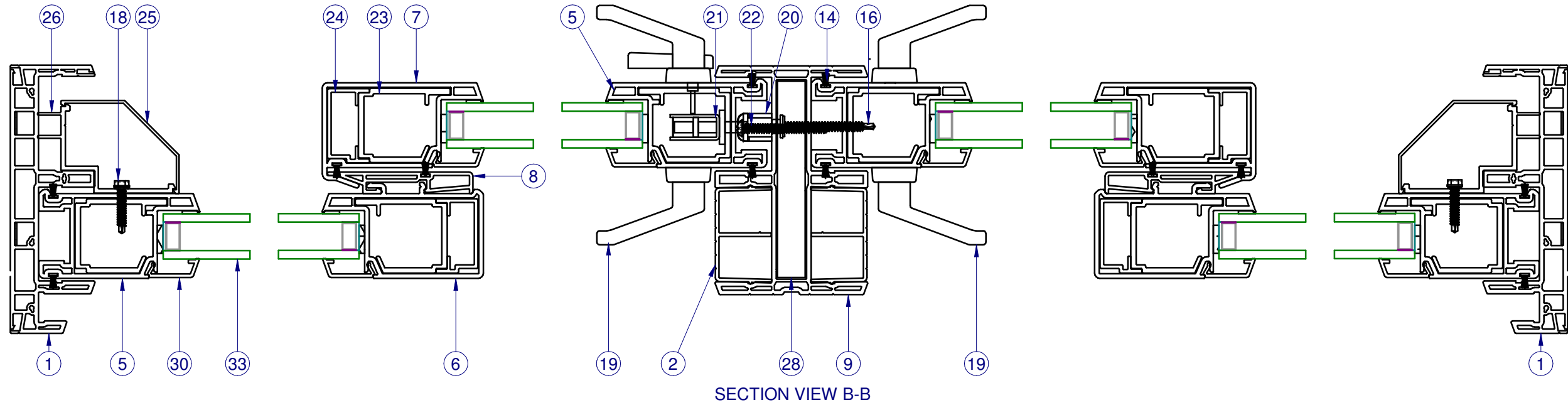
LUCAS A. TURNER, P.E.  
FL PE # 58201  
1239 JABARA AVE.  
NORTH PORT, FL 34288  
PH. 941-380-1574

SHEET DESCRIPTION:  
COMPARATIVE ANALYSIS  
AND GLAZING DETAIL

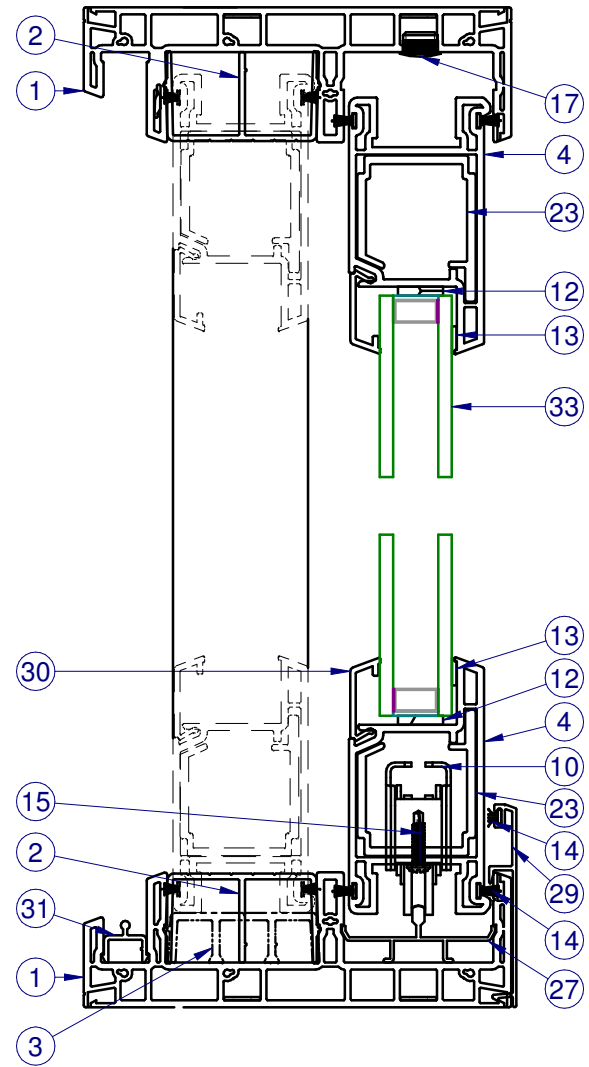
DRAWN BY: ADE	DATE: 10/30/09
DWG #: CWS-496	REV.: B
SCALE: 1:1	SHEET 2 OF 7

NOTE: IF SIZE INTENDED IS NOT SHOWN, USE NEXT LARGER SIZE.

**8900 PVC SLIDING  
GLASS DOOR  
NON-IMPACT**



SECTION VIEW B-B



SECTION VIEW A-A

NO.	DESCRIPTION:	BY:	DATE:
B	UPDATED PER 2014 FBC	EMK	03/27/15
A	UPDATED PER 2010 FBC	TEF	10/30/11

REVISIONS



*LT*  
4/3/2015

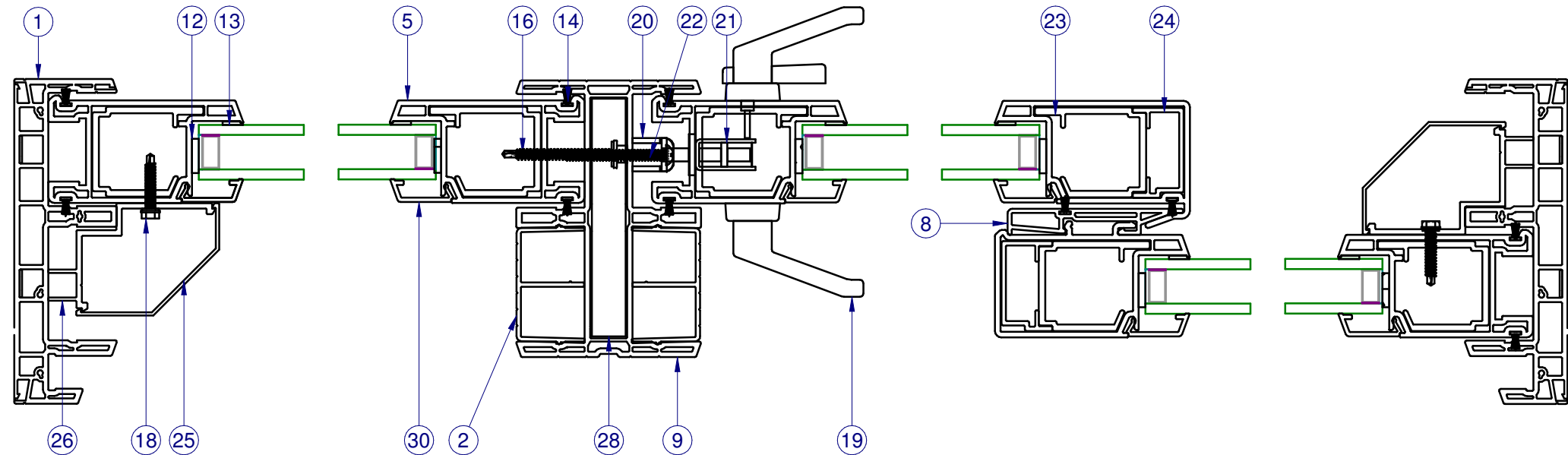
LUCAS A. TURNER, P.E.  
FL PE # 58201  
1239 JABARA AVE.  
NORTH PORT, FL 34288  
PH. 941-380-1574

SILL RISER	MAX. POSITIVE DP
* NONE	60
1737	60

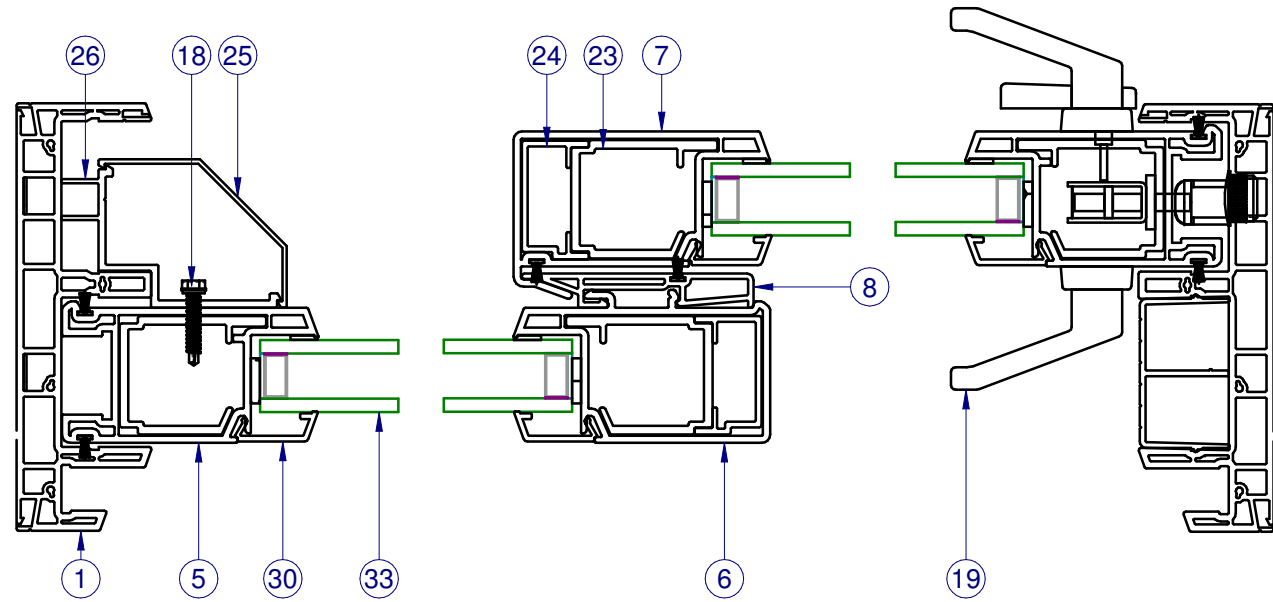
\* INSTALLATION WITH NO SILL RISER ALLOWED ONLY WHERE WATER INFILTRATION RESISTANCE IS NOT REQUIRED.

SHEET DESCRIPTION: <b>SECTION VIEWS OXXO</b>	
DRAWN BY: <b>ADE</b>	DATE: <b>10/30/09</b>
DWG #: <b>CWS-496</b>	REV.: <b>B</b>
SCALE: <b>1:2.67</b>	<b>SHEET 3 OF 7</b>

**8900 PVC SLIDING  
GLASS DOOR  
NON-IMPACT**



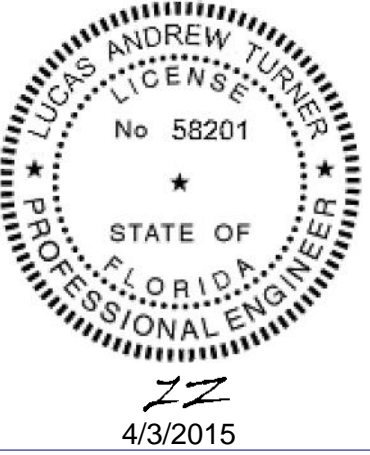
SECTION VIEW C-C



SECTION VIEW D-D

NOTE: VERTICAL SECTION SIMILAR FOR ALL CONFIGURATIONS, SEE SHEET 3

NO.	DESCRIPTION:	BY:	DATE:
B	UPDATED PER 2014 FBC	EMK	03/27/15
A	UPDATED PER 2010 FBC	TEF	10/30/11



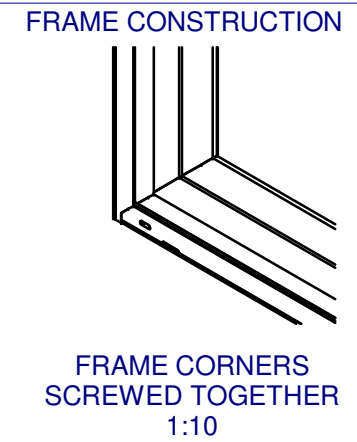
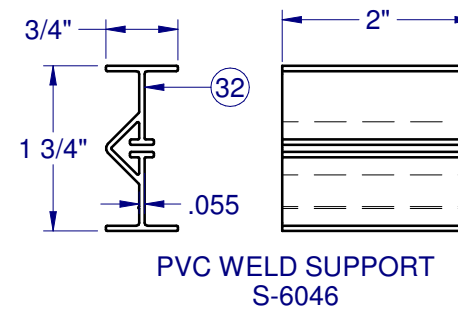
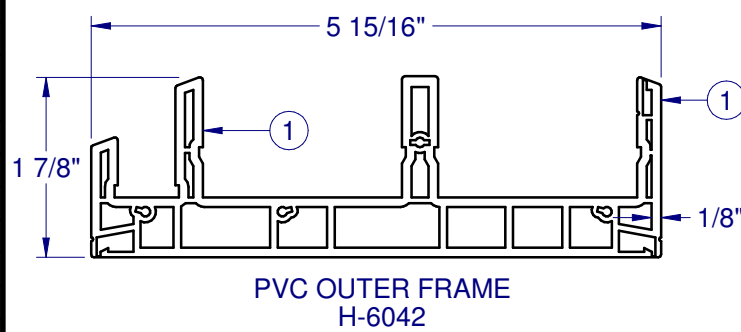
LUCAS A. TURNER, P.E.  
FL PE # 58201  
1239 JABARA AVE.  
NORTH PORT, FL 34288  
PH. 941-380-1574

SHEET DESCRIPTION:  
**SECTION VIEWS  
OXO & OX**

DRAWN BY: <b>ADE</b>	DATE: <b>10/30/09</b>
DWG #: <b>CWS-496</b>	REV.: <b>B</b>
SCALE: <b>1:2.63</b>	SHEET <b>4 OF 7</b>

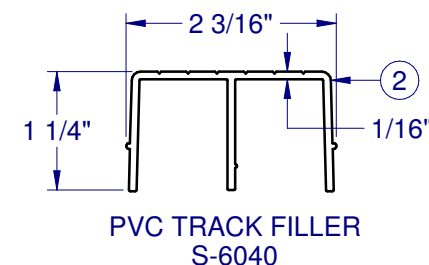
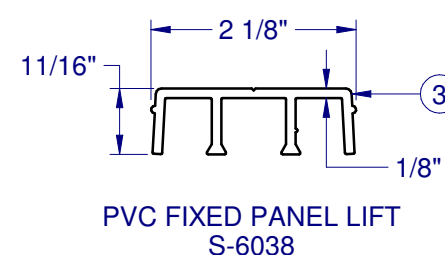
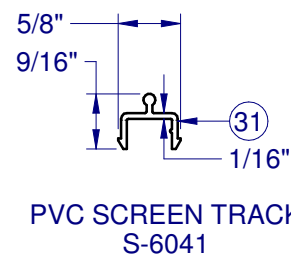
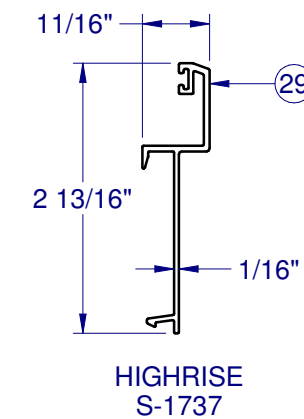
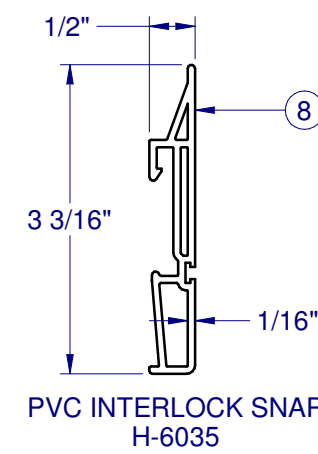
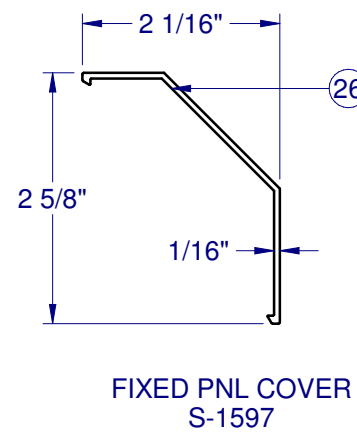
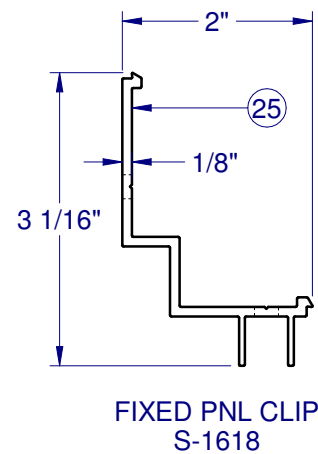
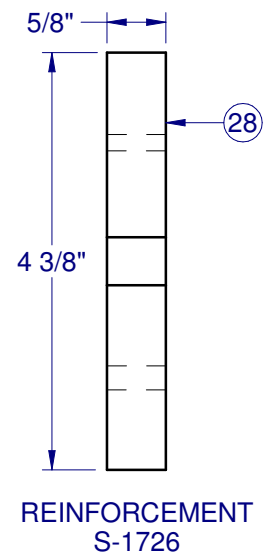
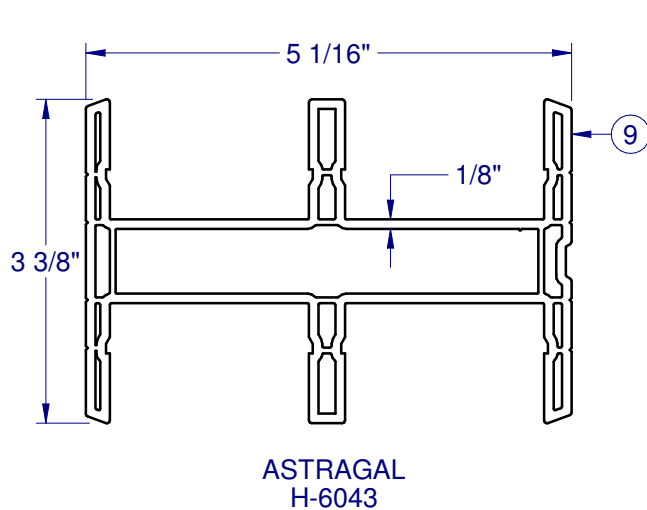
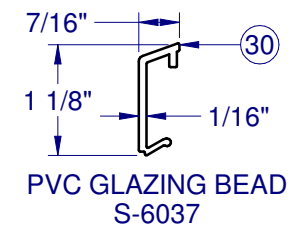
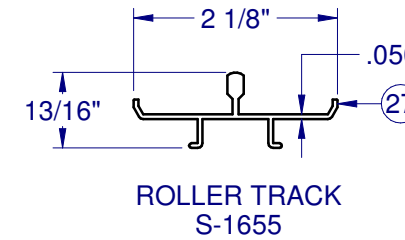
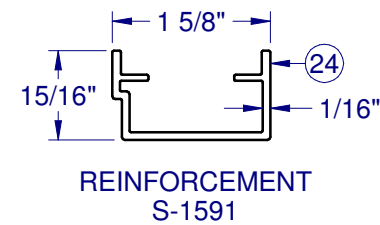
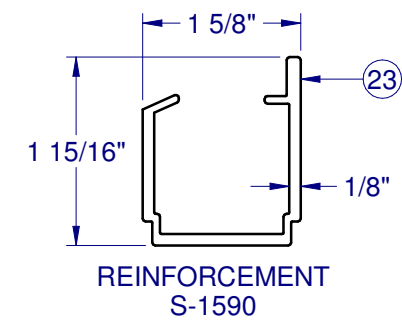
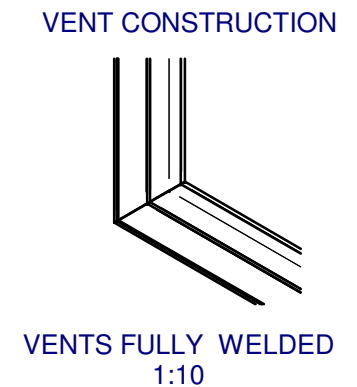
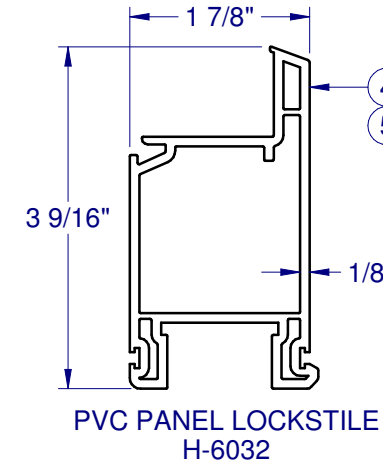
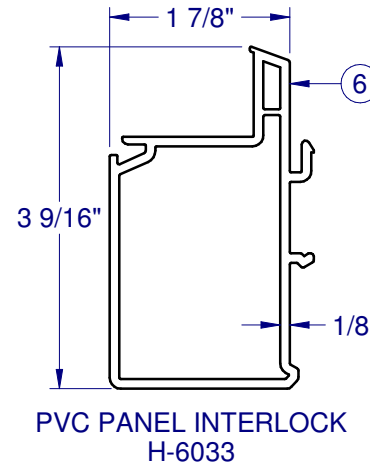
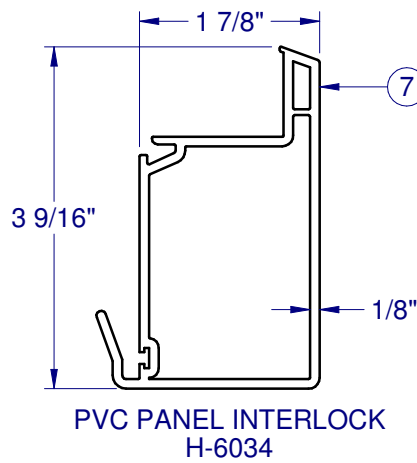


PARTS LIST				
ITEM	PART NO.	DESCRIPTION	VENDOR	MATERIAL
1	H-6042	FRAME, MAIN, SGD	MIKRON	PVC
2	S-6040	THRESHOLD/FILLER, SGD	MIKRON	PVC
3	S-6038	SUPPORT BLOCK, FIXED, SGD	MIKRON	PVC
4	H-6032	PANEL TOP/BOTTOM RAIL, SGD	MIKRON	PVC
5	H-6032	PANEL SIDE RAIL, SGD	MIKRON	PVC
6	H-6033	PANEL, INTERLOCK, FIXED	MIKRON	PVC
7	H-6034	PANEL, INTERLOCK, OPERABLE	MIKRON	PVC
8	H-6035	INTERLOCK, SNAP-ON,	MIKRON	PVC
9	H-6043	ASTRAGAL, SGD,	MIKRON	PVC
10	P-3142	ROLLER, TANDEM (SGD, PLATED STEEL)		STEEL
11	P-3342	SEAM SEALER, SM-5504		
12	P-3352	SETTING BLOCK, 85 DUR. 1/8" X 7/8" X 2"		RUBBER
13	P-3438	SIKAFLEX 552 OR PURFECT GLAZE "H"	SIKA/HENKEL	
14	P-3492	WSTP., 0.270 X .187, BACK FINSEAL, GRAY		
15	P-3539	#8 X 3/4" QUAD PHILIPS, TEK		ZINC
16	P-3557	#10 X 2, HEXHEAD, TEK		ZINC
17	P-3752	CAP PLUG, 1/2" HOLE		NYLON
18	P-3767	#10 X 1" HEX WASHER HEAD, TEK		ZINC
19	P-3789	LOCK & HANDLE KIT, PVC, SGD		STEEL
20	P-3792	3/4" KEEPER		STEEL
21	P-3793	MORTISE LOCK		STEEL
22	P-4136	#10 X 2, PAN HEAD PHIL, SMS		
23	S-1590	REINFORCEMENT, PVC SGD, PANEL	KEYMARK	ALUM
24	S-1591	REINFORCEMENT, ALUMINUM, SGD, PANE	KEYMARK	ALUM
25	S-1618	FIXED PANEL COVER	KEYMARK	ALUM
26	S-1597	COVER, FIXED PANEL CLIP	KEYMARK	ALUM
27	S-1655	PANEL TRACK, ALUMINUM, SGD, SILL	KEYMARK	ALUM
28	S-1726	REINFORCEMENT, ASTRAGAL, SGD	KEYMARK	ALUM
29	S-1737	HIGHRISE SILL, ALUMINUM	KEYMARK	ALUM
30	S-6037	GLAZING BEAD 1.00", SGD	MIKRON	PVC
31	S-6041	TRACK, SCREEN, SGD	MIKRON	PVC
32	S-6046	SUPPORT WELD, SGD	MIKRON	PVC
33	GLASS	SEE SHEET 2		



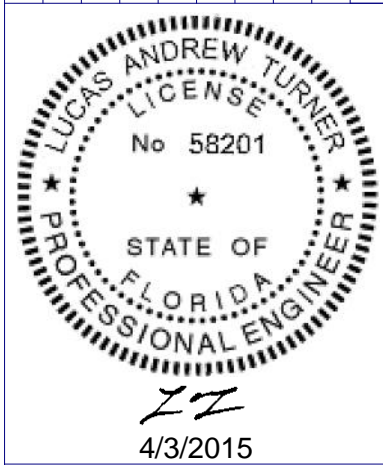
**Custom**  
**WINDOW SYSTEMS**  
1900 SW 44TH AVE.  
OCALA, FLORIDA 34474  
WWW.CWS.CC

**8900 PVC SLIDING  
GLASS DOOR  
NON-IMPACT**



NOTE: ALL EXTRUSIONS ARE ALUMINUM 6063-T6 UNLESS OTHERWISE NOTED.

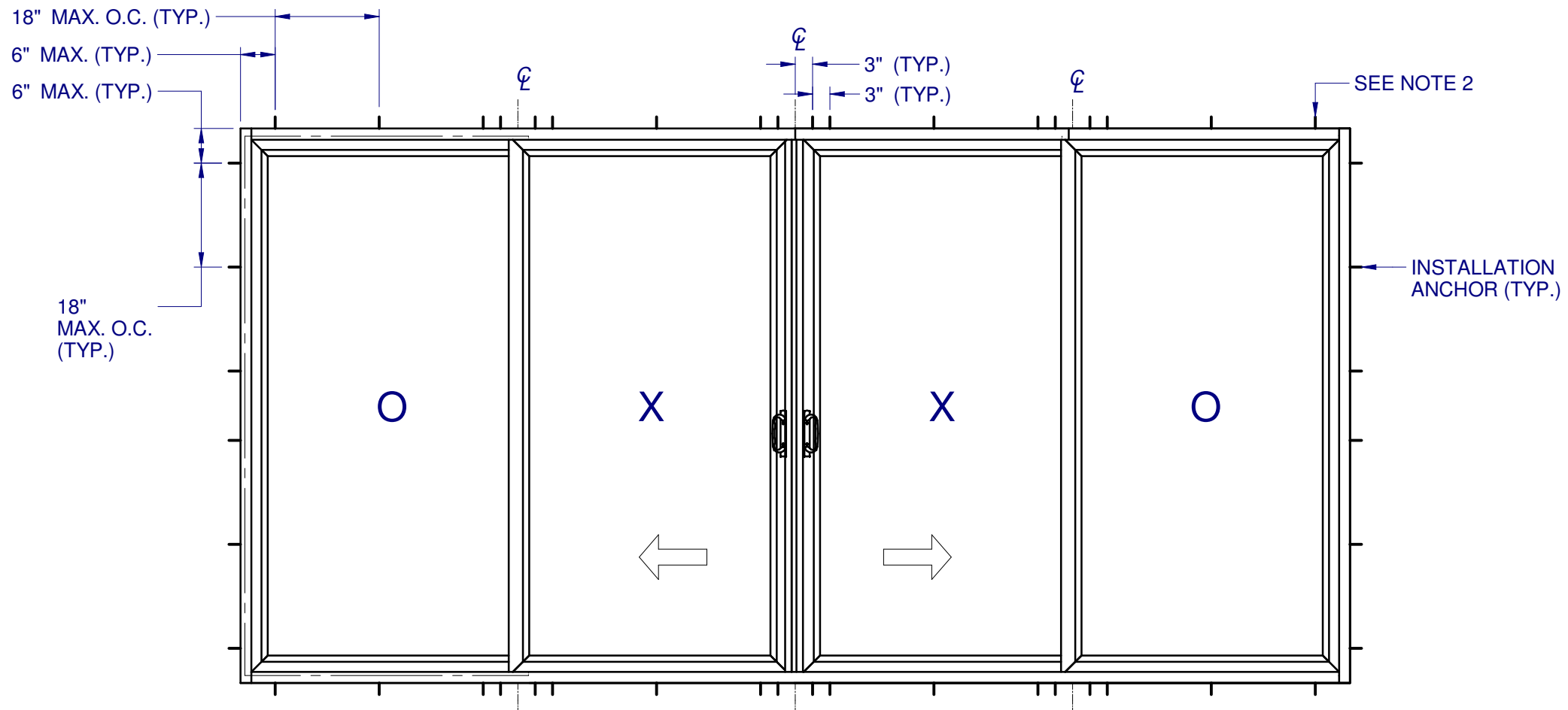
NO.	DESCRIPTION	BY	DATE
B	UPDATED PER 2014 FBC	EMK	03/27/15
A	UPDATED PER 2010 FBC	TEF	10/30/11



LUCAS A. TURNER, P.E.  
FL PE # 58201  
1239 JABARA AVE.  
NORTH PORT, FL 34288  
PH. 941-380-1574

SHEET DESCRIPTION:	
BOM AND EXTRUSIONS	
DRAWN BY: ADE	DATE: 10/30/09
DWG #: CWS-496	REV.: B
SCALE: 1:2	SHEET 5 OF 7

**8900 PVC SLIDING  
GLASS DOOR  
NON-IMPACT**



ANCHOR LAYOUT - (FLANGE)

**NOTES:**

1. INSTALL TWO ANCHORS AT EACH INSTALLATION LOCATION. SILL ANCHOR SPACING SAME AS HEAD.
2. SHIM AS REQ AT EACH INSTALLATION ANCHOR USING LOAD BEARING SHIMS. MAX. ALLOWABLE SHIM STACK TO BE 1/4". USE SHIMS WHERE SPACE GREATER THAN 1/16" IS PRESENT. LOAD BEARING SHIMS SHALL BE CONSTRUCTED OF HIGH DENSITY PLASTIC OR BETTER. WOOD SHIMS ARE NOT ALLOWED.
3. ANCHOR TYPE, SIZE, SPACING AND EMBEDMENT SHALL BE AS SPECIFIED IN THESE DRAWINGS, SEE TABLE 1, SHEET 7.
4. ALL INSTALLATION ANCHORS MUST BE MADE OF OR PROTECTED WITH A CORROSION RESISTANT MATERIAL OR COATING. DISSIMILAR METALS OR MATERIALS IN CONTACT WITH PRESSURE TREATED WOOD MUST BE PROTECTED TO PREVENT REACTION.
5. INSTALLATION ANCHORS SHALL BE IN ACCORDANCE WITH ANCHOR MANUFACTURER'S INSTALLATION INSTRUCTIONS, AND ANCHORS SHALL NOT BE USED IN SUBSTRATES WITH STRENGTHS LESS THAN THE MINIMUM SPECIFIED IN TABLE 1, SHEET 7.
6. ANCHOR EMBEDMENT TO SUBSTRATE SHALL BE BEYOND WALL DRESSING OR STUCCO. FOR CONCRETE/CMU OPENINGS, EMBEDMENT SHALL BE BEYOND WOOD BUCKS, IF USED, INTO SUBSTRATE - 1X BUCKS ARE OPTIONAL.
7. A MINIMUM CENTER-TO-CENTER SPACING SHALL BE MAINTAINED BETWEEN ALL FASTENERS: 2-7/16" FOR MASONRY, 2" FOR FIXED PANEL CLIPS (ALL SUBSTRATES), 1" FOR WOOD AND METAL.
8. WOOD OR MASONRY OPENINGS, BUCKS AND BUCK FASTENERS SHALL BE PROPERLY DESIGNED BY THE ARCHITECT OR ENGINEER OF RECORD AND INSTALLED TO TRANSFER WIND LOADS TO THE STRUCTURE. SUBSTRATES SHALL MEET THE MINIMUM STRENGTH REQUIREMENTS AS SHOWN IN TABLE 1, SHEET 7. CONCRETE AND MASONRY SUBSTRATES MAY NOT BE CRACKED.
9. SEALING AND FLASHING STRATEGIES FOR OVERALL WATER RESISTANCE OF INSTALLATION SHALL BE DONE BY OTHERS FOLLOWING THE CURRENT VERSION OF THE REFERENCE DOCUMENTS: FMA/AAMA 100(FIN WINDOWS), FMA/AAMA 200(FLANGE WINDOWS), FMA/WDMA 250(BOX WINDOWS), FMA/AAMA/WDMA 300(EXTERIOR DOORS)

NO.	DESCRIPTION:	BY:	DATE:
B	UPDATED PER 2014 FBC	EMK	03/27/15
A	UPDATED PER 2010 FBC	TEF	10/30/11



LUCAS A. TURNER, P.E.  
FL PE # 58201  
1239 JABARA AVE.  
NORTH PORT, FL 34288  
PH. 941-380-1574

SHEET DESCRIPTION:  
**ANCHOR SCHEDULE AND NOTES**

DRAWN BY: <b>ADE</b>	DATE: <b>10/30/09</b>
DWG #: <b>CWS-496</b>	REV.: <b>B</b>
SCALE: <b>1:25</b>	<b>SHEET 6 OF 7</b>

**8900 PVC SLIDING  
GLASS DOOR  
NON-IMPACT**

NO.	DESCRIPTION	BY	DATE
B	UPDATED PER 2014 FBC	EMK	03/27/15
A	UPDATED PER 2010 FBC	TEF	10/30/11

REVISIONS



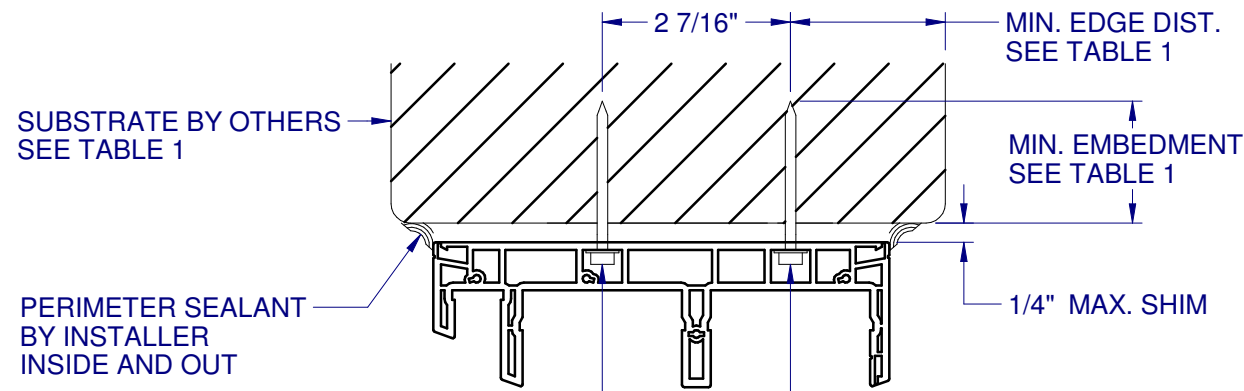
LUCAS A. TURNER, P.E.  
FL PE # 58201  
1239 JABARA AVE.  
NORTH PORT, FL 34288  
PH. 941-380-1574

SHEET DESCRIPTION:

**INSTALLATION DETAILS**

DRAWN BY: <b>ADE</b>	DATE: 10/30/09
DWG #: <b>CWS-496</b>	REV.: <b>B</b>
SCALE: 1:2.5	SHEET 7 OF 7

TYPICAL HEAD ANCHORAGE



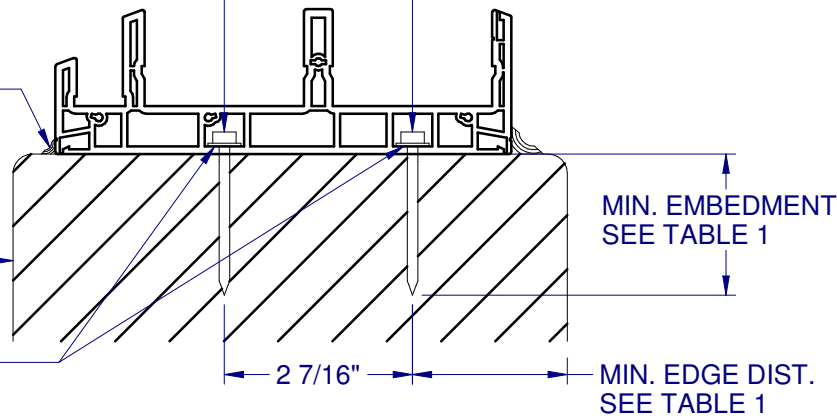
INSTALLATION ANCHOR  
SEE TABLE 1

PERIMETER SEALANT  
BY INSTALLER  
INSIDE AND OUT  
DO NOT COVER  
WEEP HOLES

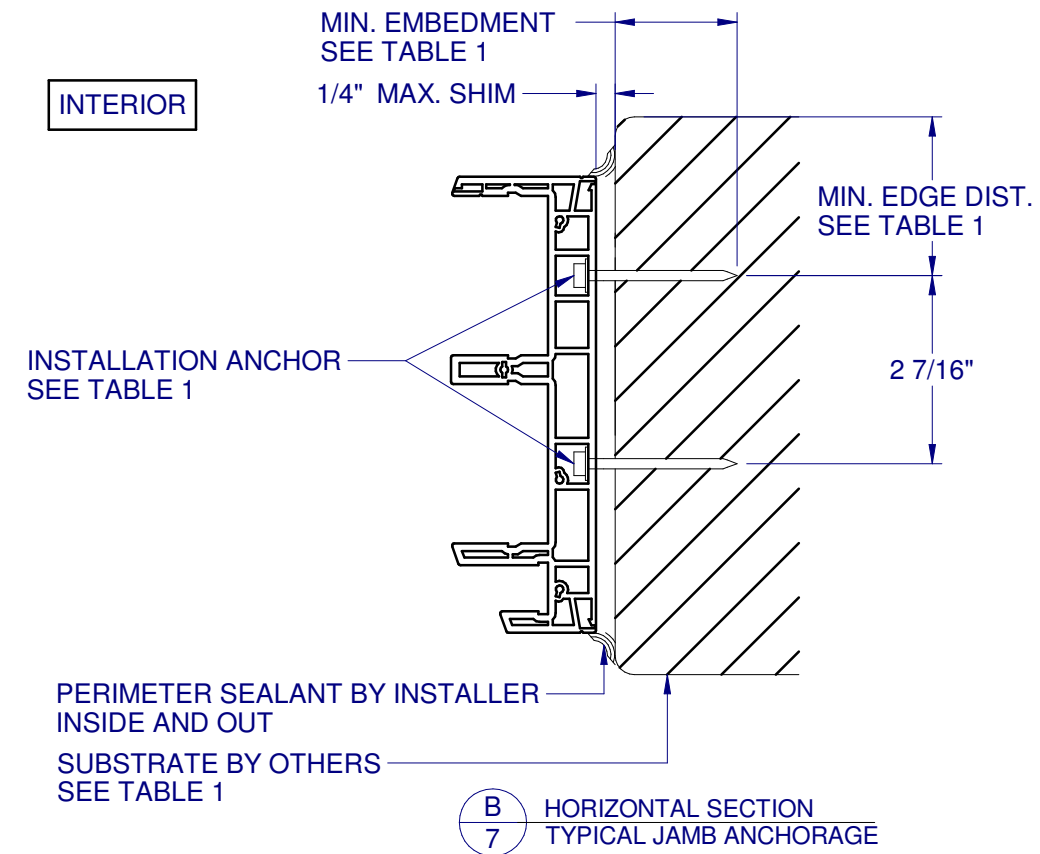
SUBSTRATE BY OTHERS  
SEE TABLE 1

SEALANT UNDER SCREW  
HEAD BY INSTALLER

**A**  
7 VERTICAL SECTION  
TYPICAL SILL ANCHORAGE

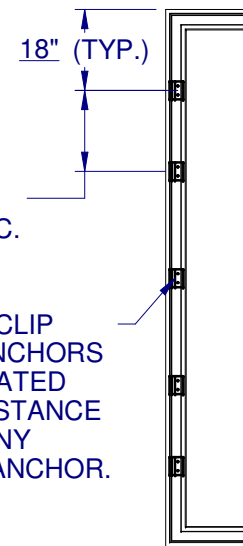


INTERIOR



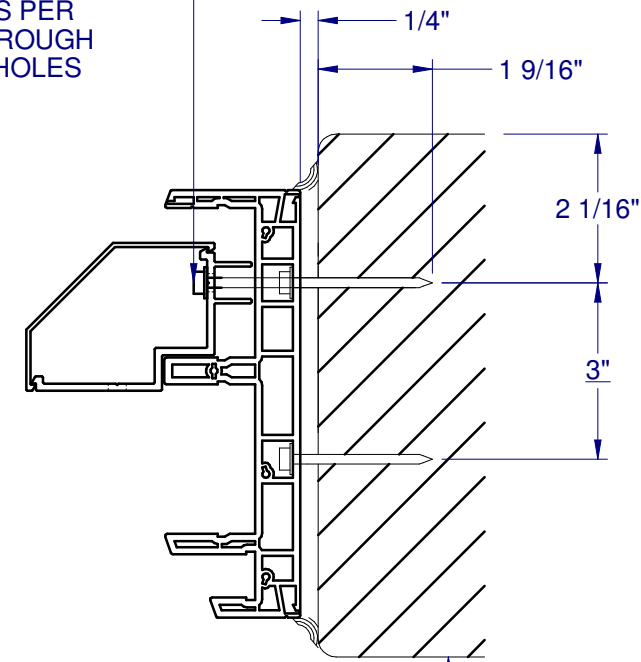
**B**  
7 HORIZONTAL SECTION  
TYPICAL JAMB ANCHORAGE

INSTALLATION ANCHOR  
SEE TABLE 1  
TWO ANCHORS PER  
FIXED CLIP THROUGH  
PRE-DRILLED HOLES



FIXED PANEL CLIP DETAIL

FIXED PANEL CLIP  
NOTE: CLIP ANCHORS  
MUST BE LOCATED  
A MINIMUM DISTANCE  
OF 3" FROM ANY  
MAIN FRAME ANCHOR.



**C**  
7 HORIZONTAL SECTION  
FIXED PANEL ANCHORAGE

**TABLE 1: APPROVED INSTALLATION FASTENERS**

SUBSTRATE TYPE	ANCHOR TYPE	MIN. EMBEDMENT	MIN. EDGE DIST.
CONCRETE (2.0 KSI MIN.)	3/16" ITW TAPCON	1"	3"
CONCRETE (2.85 KSI MIN.)	3/16" ELCO ULTRACON	1-3/4"	1"
HOLLOW OR GROUT-FILLED CMU (ASTM C-90)	3/16" ELCO ULTRACON	1-1/4"	1"
2X MIN. SPRUCE-PINE-FIR (G=0.42)	3/16" ITW TAPCON OR ELCO ULTRACON	1-3/8"	7/8"
2X MIN. SPRUCE-PINE-FIR (G=0.42)	#10 WOOD SCREW	1-3/8"	7/8"
16 GAUGE (0.060") MIN. STEEL STUD (33 KSI YIELD MIN)	#10-16 HILTI KWIK-FLEX OR ITW TEKS SELF-DRILLING SCREW	FULL THREAD THRU 0.060"	1/2"
1/8" ALUM. (6063-T5 MIN.) OR 1/8" STEEL (33 KSI MIN.)	#10 GRADE 5 SELF-TAPPING / DRILLING SCREW	FULL THREAD THRU 0.125"	1/2"
FIXED PANEL CLIP ANCHORS INTO CONCRETE (2.0 KSI MIN.) OR HOLLOW OR GROUT-FILLED CMU (117 PCF MIN.)	3/16" ITW TAPCON	1"	3"
FIXED PANEL CLIP ANCHORS INTO CONCRETE (2.85 KSI MIN.) OR HOLLOW OR GROUT-FILLED CMU (ASTM C-90)	3/16" ELCO ULTRACON	1-1/4"	2-1/2"

NOTE: FIXED PANEL CLIP ANCHORS INTO WOOD OR METAL SHALL FOLLOW THE ANCHOR TYPE, MIN. EMBEDMENT AND MIN. EDGE DISTANCE LISTED IN TABLE 1.