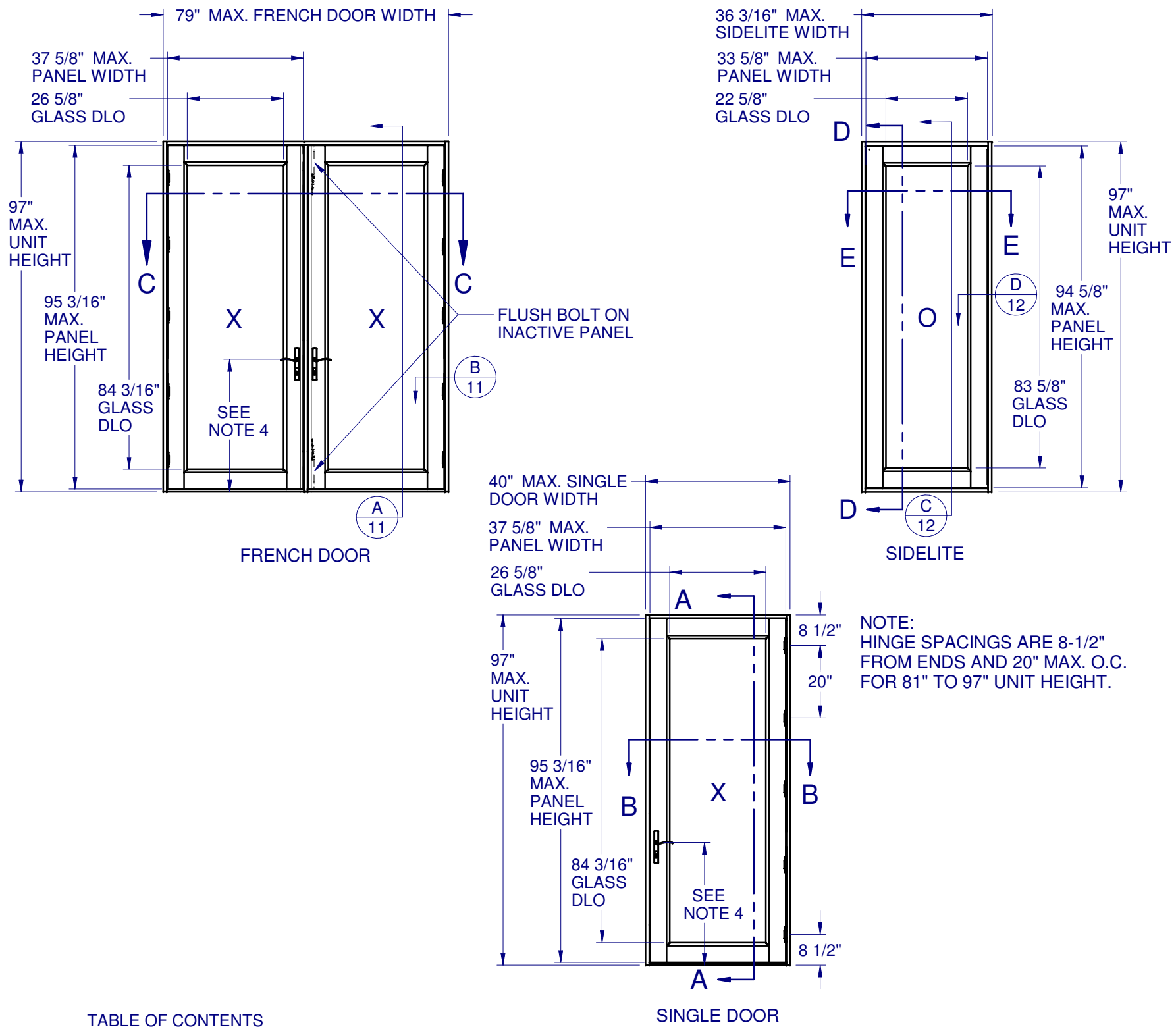


# SWING DOOR & SIDELITE - LARGE MISSILE IMPACT



1900 SW 44TH AVE.  
OCALA, FLORIDA 34474  
WWW.CWS.CC

## 8700/10/50 PVC SWING DOOR IMPACT



### GENERAL NOTES:

- THE PRODUCT SHOWN HEREIN IS DESIGNED AND MANUFACTURED TO COMPLY WITH THE FLORIDA BUILDING CODE (FBC), CURRENT EDITION INCLUDING THE HIGH VELOCITY HURRICANE ZONE (HVHZ) AND IS RATED FOR WIND ZONE 4 MISSILE LEVEL D IMPACT USE AS DEFINED IN ASTM E 1996 PER THE FBC.
- GLAZING OPTIONS: (SEE SHEET 4)
- CONFIGURATIONS: SINGLE OUTSWING, SINGLE OUTSWING w/SIDELITE(S), FRENCH DOOR(S), FRENCH DOOR(S) w/SIDELITE(S), SIDELITE NOT ATTACHED.
- LOCK OPTIONS:  
 UP TO 6'8":  
 A. DOUBLE BORE w/TWO (2) INTERIOR FLUSH BOLTS. HANDLE SET @ 36"  
 B. MORTISE LOCK w/ TWO (2) INTERIOR FLUSH BOLTS. HANDLE SET @ 34"  
 C. MULTIPOINT (4 PT.) HANDLE SET @ 34"  
 ABOVE 6'8":  
 A. MULTIPOINT (5 PT.) HANDLE SET @ 34"
- DESIGN PRESSURE RATING:  
 -NEGATIVE DESIGN LOADS BASED ON, TESTED PRESSURE AND GLASS TABLES ASTM E-1300-04.  
 -POSITIVE DESIGN LOADS BASED ON, TESTED PRESSURE, WATER INFILTRATION TEST PRESSURE AND GLASS TABLES ASTM E-1300-04.
- ANCHORAGE: THE 33 1/3% STRESS INCREASE HAS NOT BEEN USED IN THE DESIGN OF THIS PRODUCT. SEE SHEETS 11-12 FOR ANCHOR DETAILS. WINDLOAD DURATION FACTOR Cd=1.6 WAS USED FOR WOOD ANCHOR CALCULATIONS.
- PRODUCTS APPROVED FOR IMPACT RESISTANCE. SHUTTERS ARE NOT REQUIRED.
- ALL FRAMES ARE PROCESSED AND SCREWED TOGETHER. PANELS ARE PROCESSED AND ASSEMBLED VIA TIE ROD.
- SERIES / MODEL DESIGNATION SD-8700, FD-8750, SLT-8710.
- THE DESIGNATION X AND O STAND FOR THE FOLLOWING:  
 X = OPERABLE SASH, O = FIXED SASH
- SECTION CALLOUTS APPLY TO ALL CONFIGURATIONS IN A SIMILAR LOCATION.
- INTERIOR FLUSH BOLTS ON ACTIVE PANEL TO BE ENGAGED PRIOR TO SEVERE WEATHER.
- QUALIFIED ALTERNATIVE LOCKSET/DEADBOLT HARDWARE IS GRADE 2 BY PAMEX AND DELANY.
- MAX. PANEL WIDTHS APPLY TO ALL CONFIGURATIONS, MULLED OR NON-MULLED UNITS.

### TABLE OF CONTENTS

GENERAL NOTES & ELEVATIONS.....1-3  
 GLAZING DETAILS.....4  
 SECTION VIEWS.....5-7  
 BOM.....8  
 EXTRUSIONS.....9  
 ANCHOR SCHEDULE & NOTES.....10  
 INSTALLATION DETAILS.....11-12

TYPE	MAX. PANEL SIZE	DESIGN PRESSURE RATING	IMPACT RATING
SINGLE	37-5/8" x 95-3/16"	+/- 70 PSF	LARGE MISSILE IMPACT
FRENCH			
SIDELITE	33-5/8" x 94-5/8"		

NO.	DESCRIPTION	BY	DATE
B	UPDATED PER 2014 FBC	EMK	04/14/15
A	UPDATED PER 2010 FBC	ADE	11/14/11



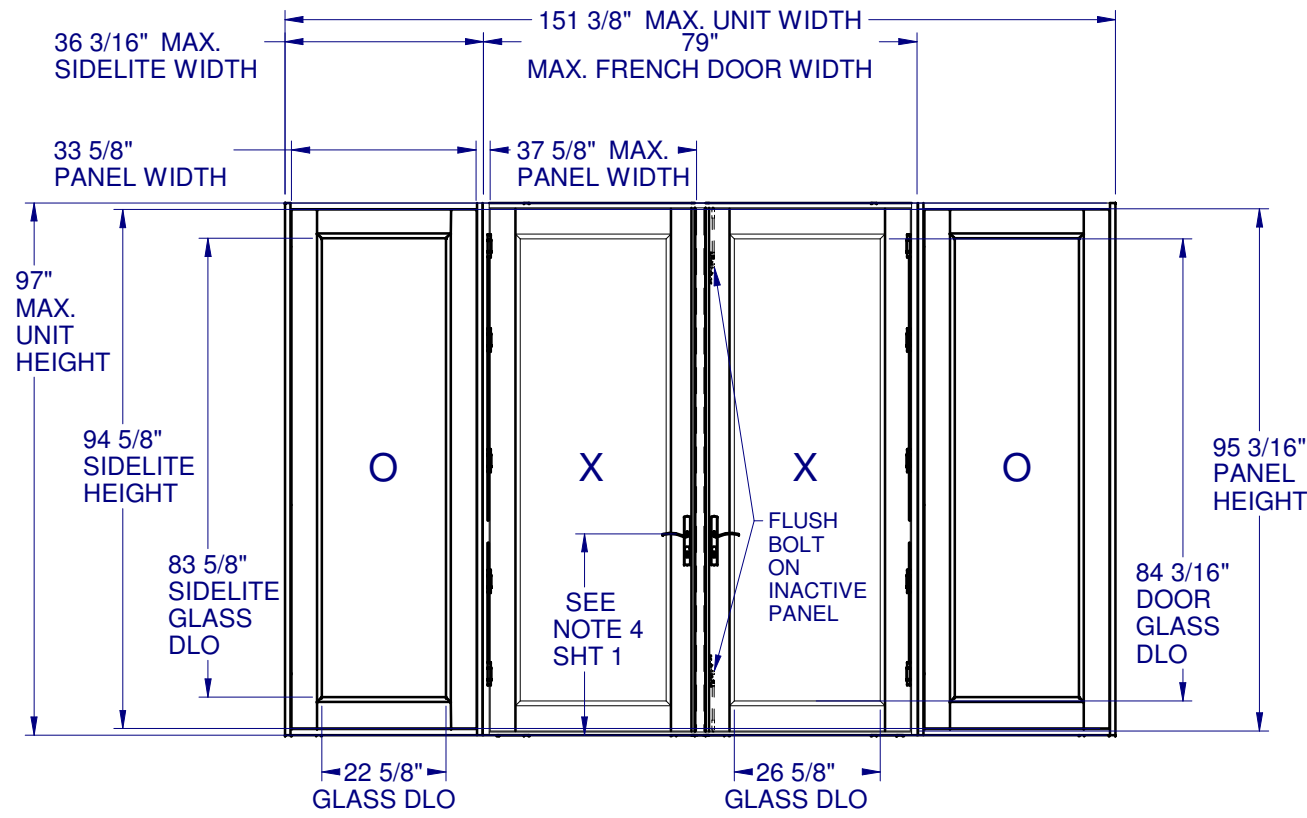
4/18/2015  
 LUCAS A. TURNER, P.E.  
 FL PE # 58201  
 1239 JABARA AVE.  
 NORTH PORT, FL 34288  
 PH. 941-380-1574

### SHEET DESCRIPTION: GENERAL NOTES AND ELEVATIONS

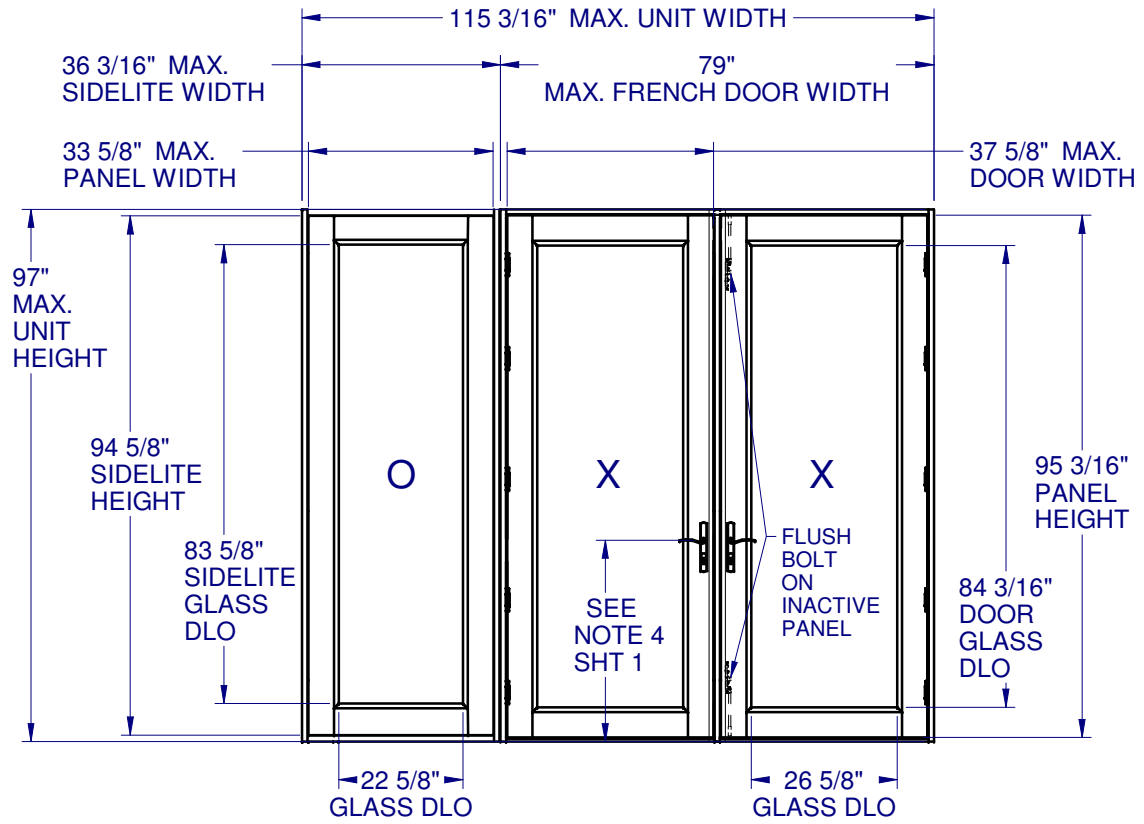
DRAWN BY: ADE	DATE: 09/08/11
DWG #: CWS-641	REV.: B
SCALE: 1:35	SHEET 1 OF 12

**8700/10/50 PVC SWING DOOR IMPACT**

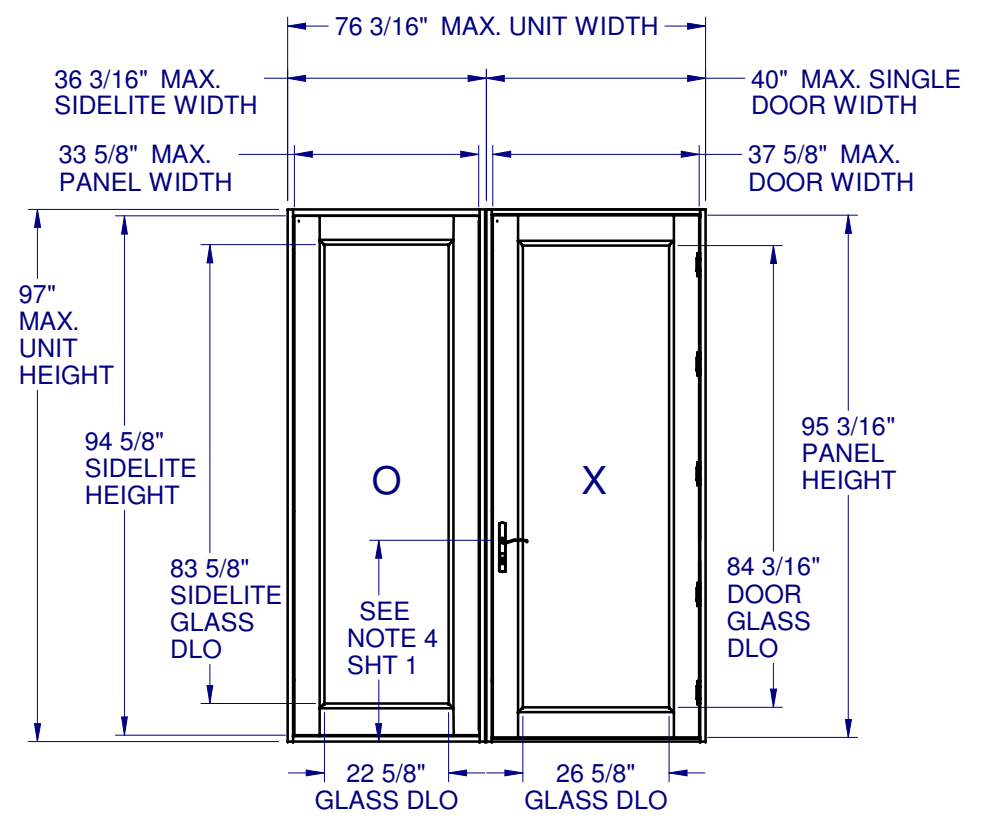
					04/14/15	EMK	BY:	DATE:
B	UPDATED PER 2014 FBC					ADE		
A	UPDATED PER 2010 FBC							
NO.: DESCRIPTION:								REVISIONS



FRENCH DOOR w/SIDELITES



FRENCH DOOR w/SIDLITE



SINGLE DOOR w/SIDLITE

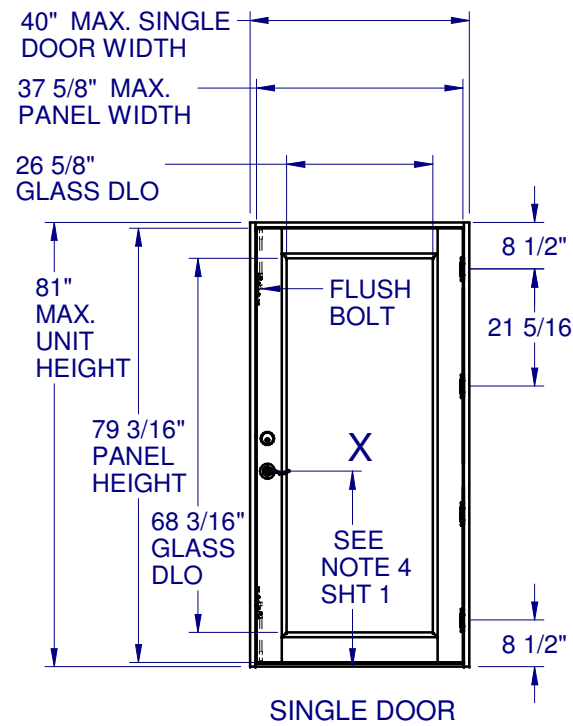


*LT*  
4/18/2015  
LUCAS A. TURNER, P.E.  
FL PE # 58201  
1239 JABARA AVE.  
NORTH PORT, FL 34288  
PH. 941-380-1574

SHEET DESCRIPTION:  
**GENERAL NOTES AND ELEVATIONS**

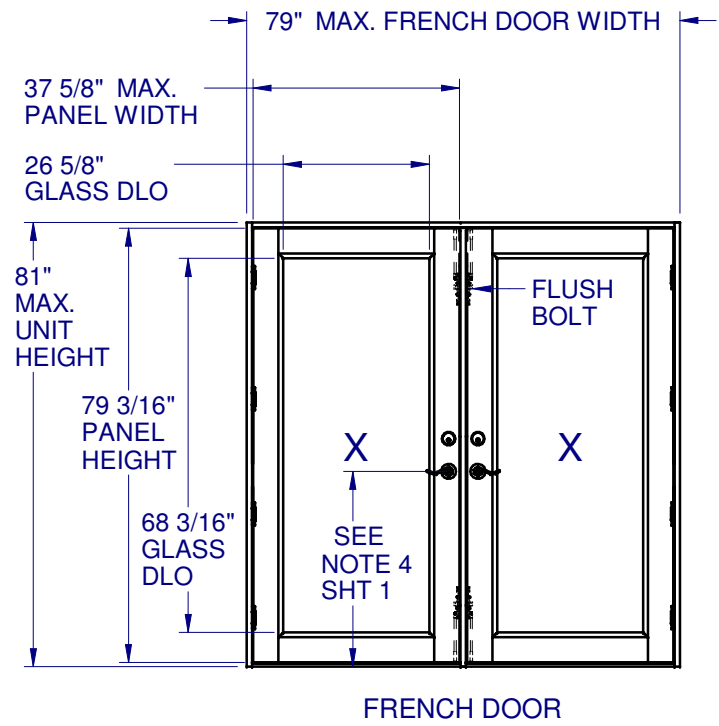
DRAWN BY:	DATE:
ADE	09/08/11
DWG #:	REV.:
CWS-641	B
SCALE:	SHEET
1:35	2 OF 12

**8700/10/50 PVC SWING DOOR IMPACT**

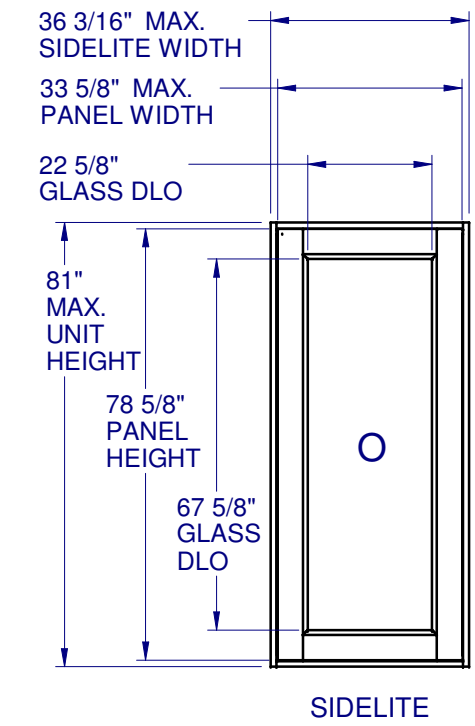


SINGLE DOOR

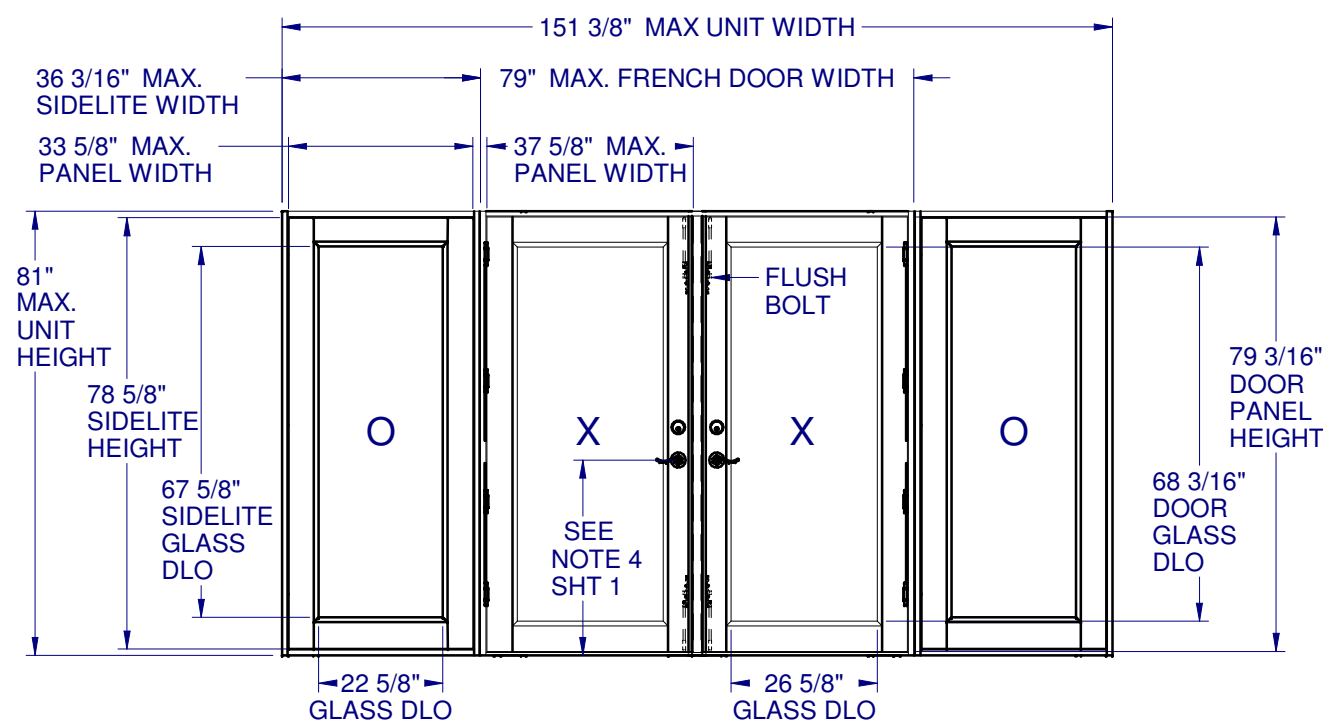
NOTE:  
HINGE SPACINGS  
ARE 8-1/2" FROM  
ENDS AND 21-5/16"  
MAX. O.C. UP TO  
81" UNIT HEIGHT.



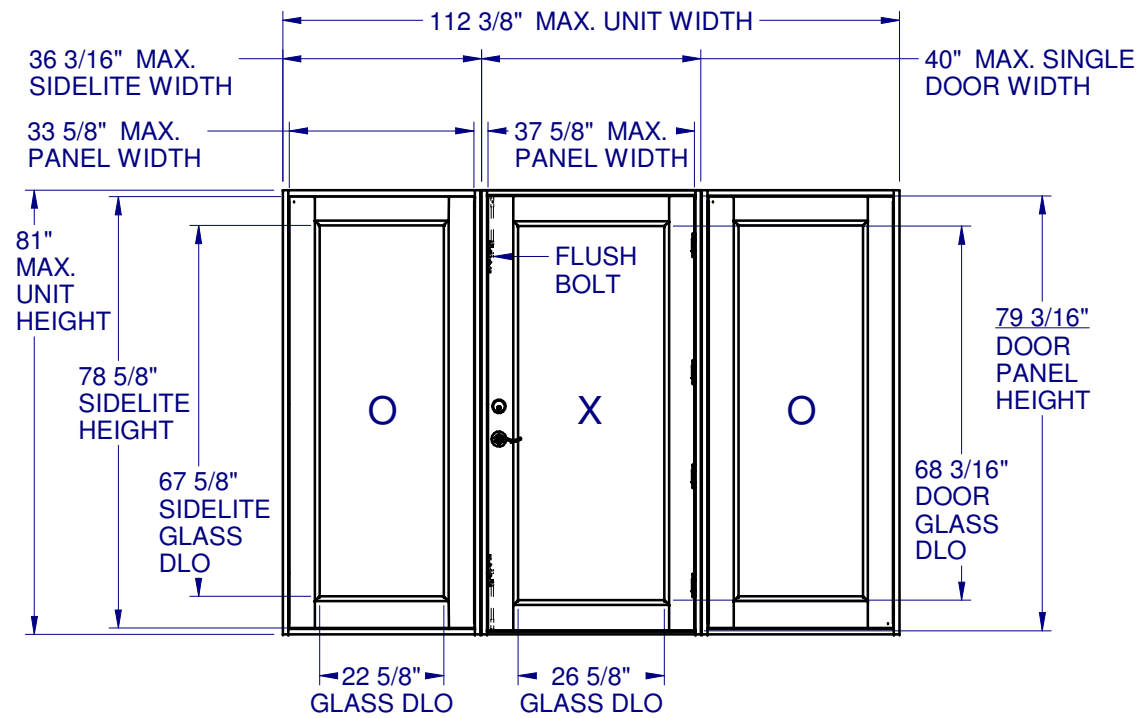
FRENCH DOOR



SIDELITE



FRENCH DOOR w/SIDELITES



SINGLE DOOR w/SIDELITES

NO.	DESCRIPTION:	BY:	DATE:
B	UPDATED PER 2014 FBC	EMK	04/14/15
A	UPDATED PER 2010 FBC	ADE	11/14/11



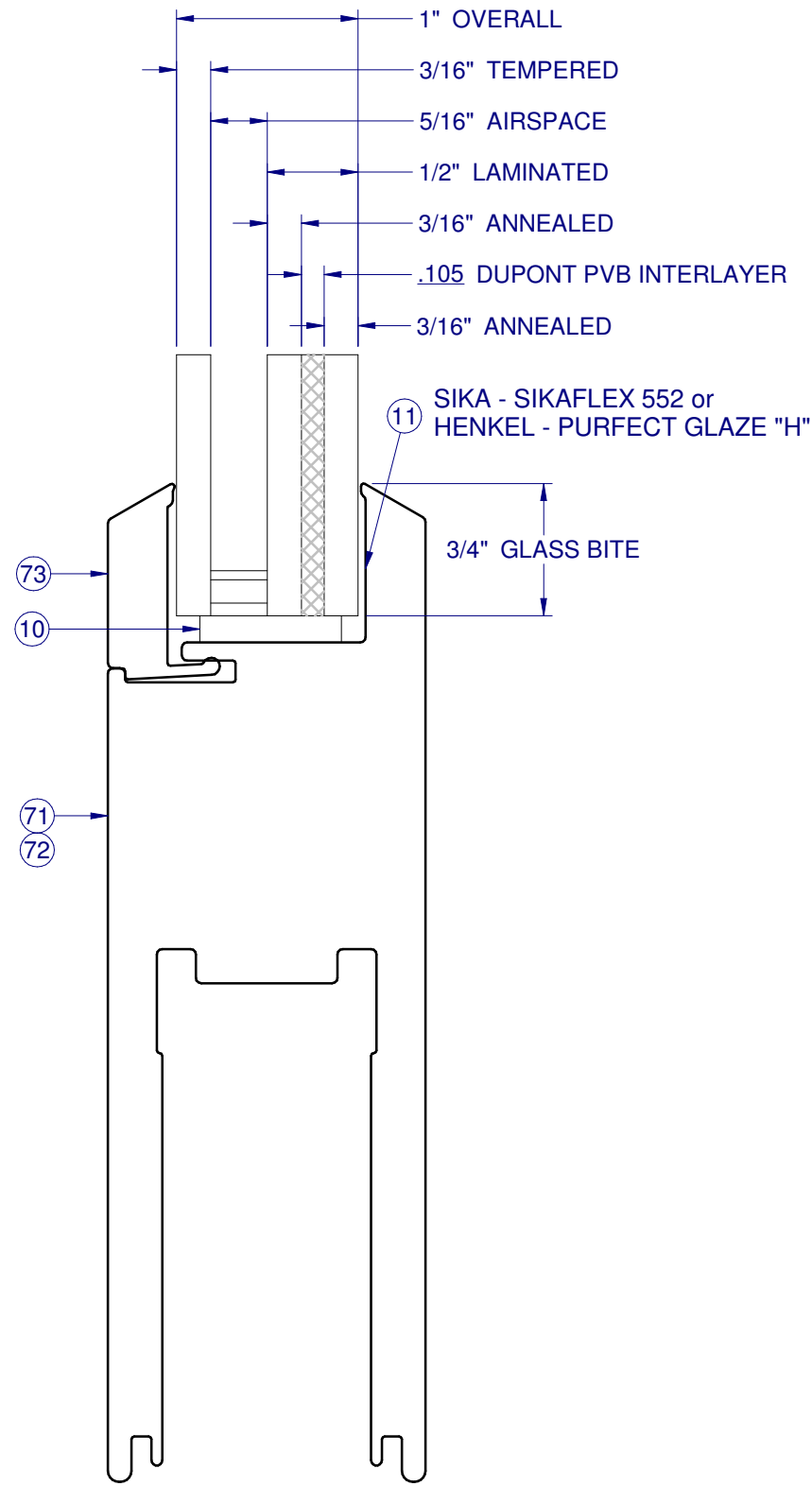
4/18/2015  
LUCAS A. TURNER, P.E.  
FL PE # 58201  
1239 JABARA AVE.  
NORTH PORT, FL 34288  
PH. 941-380-1574

SHEET DESCRIPTION:  
**GENERAL NOTES AND ELEVATIONS**

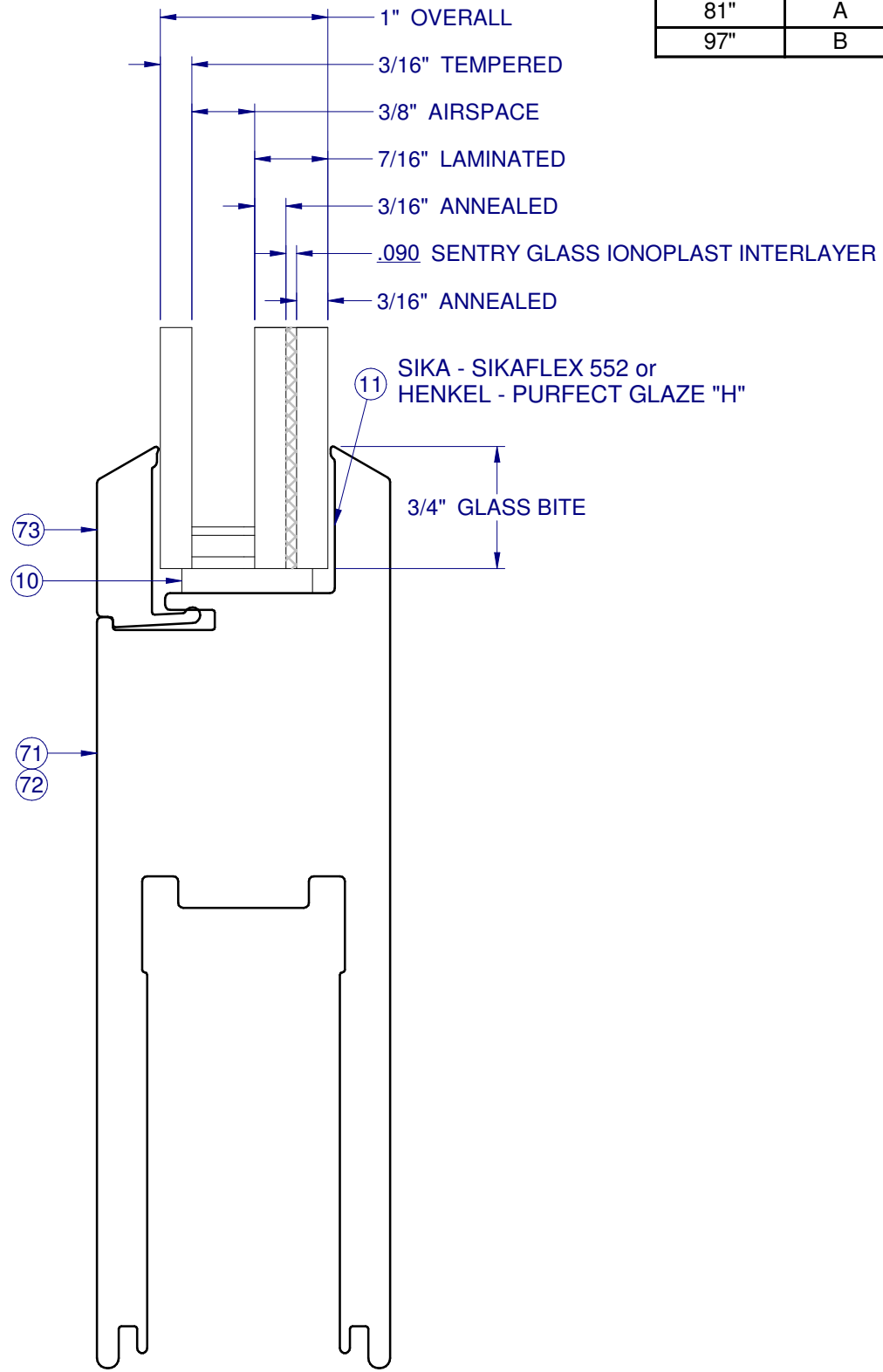
DRAWN BY: ADE	DATE: 09/08/11
DWG #: CWS-641	REV.: B
SCALE: 1:35	SHEET 3 OF 12

MAX. UNIT HEIGHT	GLASS TYPES		
	SIDELITE	SINGLE	FRENCH
81"	A	A	A
97"	B	B	B

**8700/10/50 PVC SWING DOOR IMPACT**

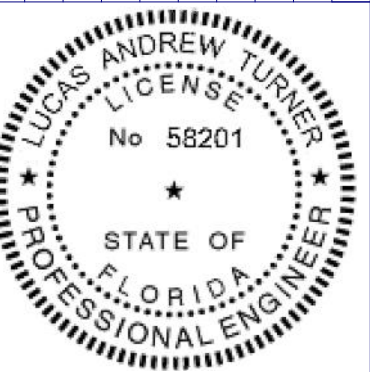


GLASS TYPE A



GLASS TYPE B

NO.	DESCRIPTION:	BY:	DATE:
B	UPDATED PER 2014 FBC	EMK	04/14/15
A	UPDATED PER 2010 FBC	ADE	11/14/11



*ZZ*  
4/18/2015

LUCAS A. TURNER, P.E.  
FL PE # 58201  
1239 JABARA AVE.  
NORTH PORT, FL 34288  
PH. 941-380-1574

SHEET DESCRIPTION:

**GLAZING DETAILS**

DRAWN BY: ADE	DATE: 09/08/11
DWG #: CWS-641	REV.: B
SCALE: 1:1	SHEET 4 OF 12

**8700/10/50 PVC SWING DOOR IMPACT**

NO.:		DESCRIPTION:	BY:	DATE:
B	UPDATED PER 2014 FBC	EMK	04/14/15	
A	UPDATED PER 2010 FBC	ADE	11/14/11	

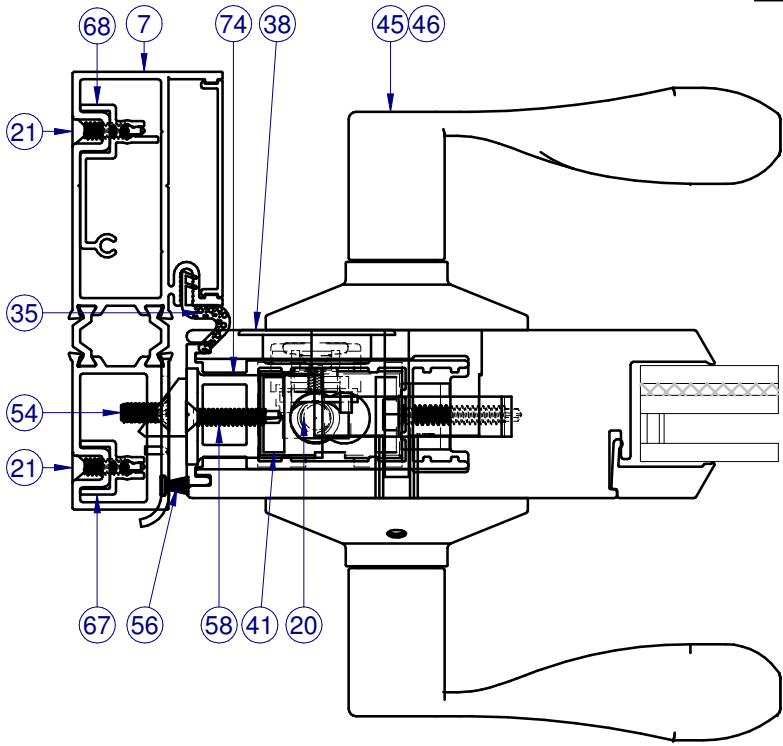


LUCAS A. TURNER, P.E.  
FL PE # 58201  
1239 JABARA AVE.  
NORTH PORT, FL 34288  
PH. 941-380-1574

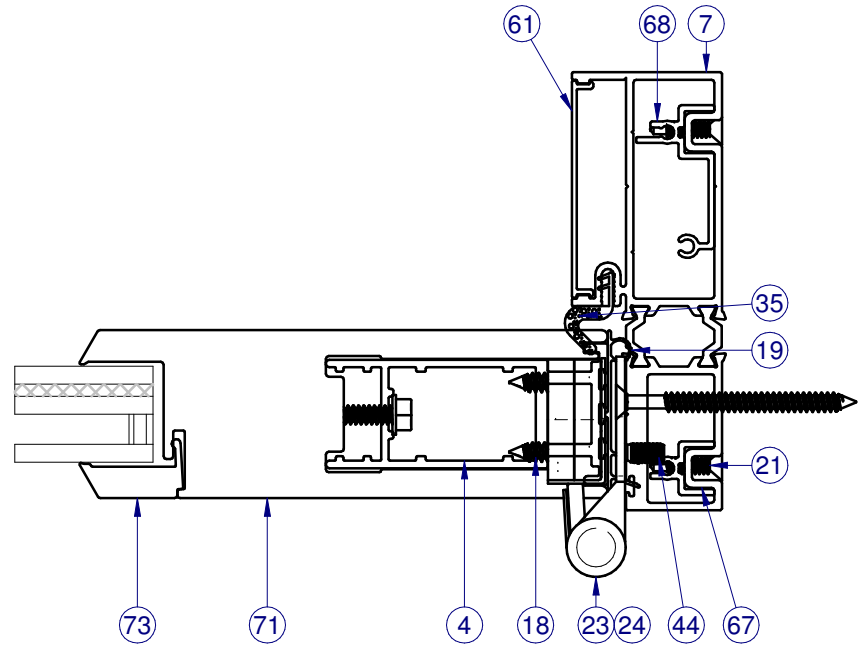
SHEET DESCRIPTION:  
**SECTION VIEWS  
SINGLE DOOR**

DRAWN BY: <b>ADE</b>	DATE: <b>09/08/11</b>
DWG #: <b>CWS-641</b>	REV.: <b>B</b>
SCALE: <b>1:2</b>	SHEET <b>5 OF 12</b>

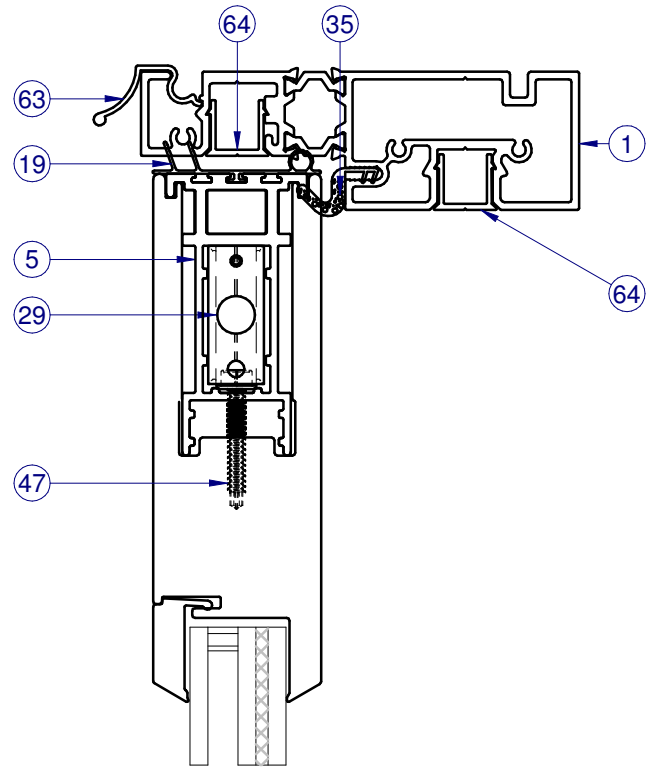
INTERIOR



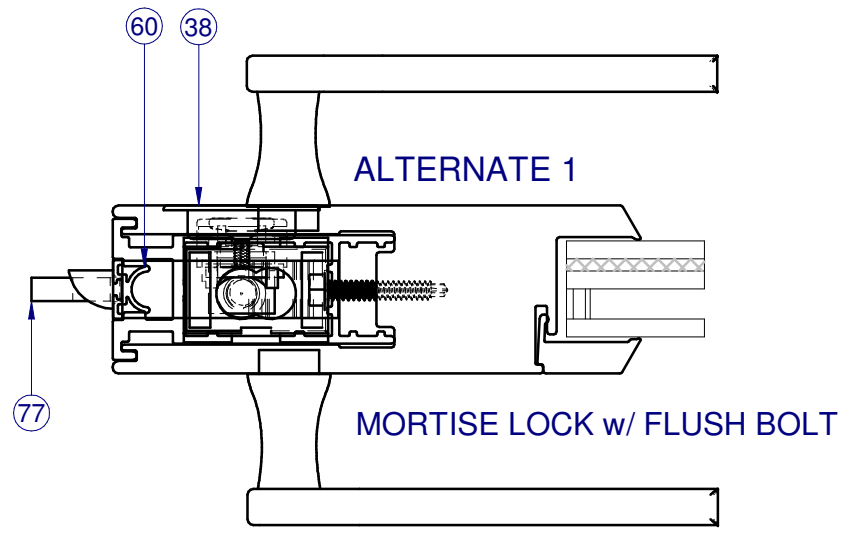
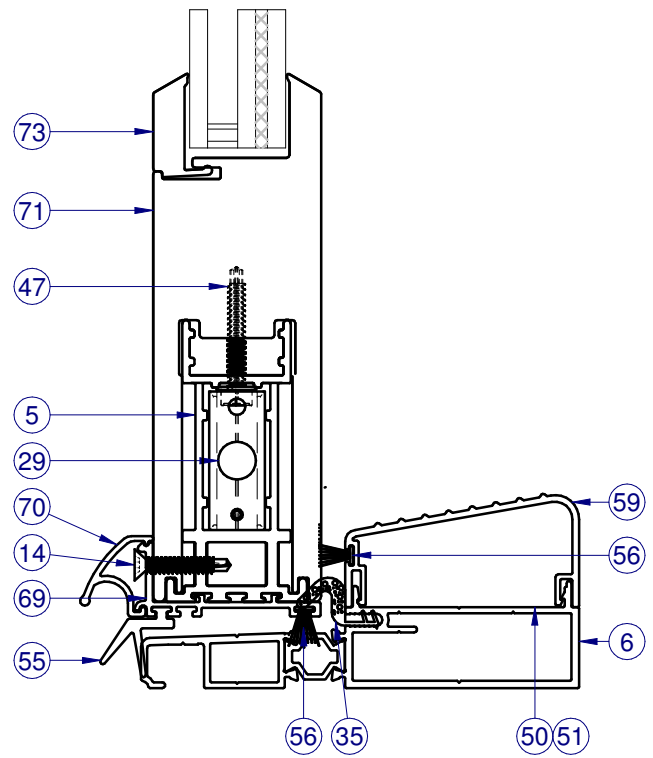
SECTION VIEW B-B



INTERIOR

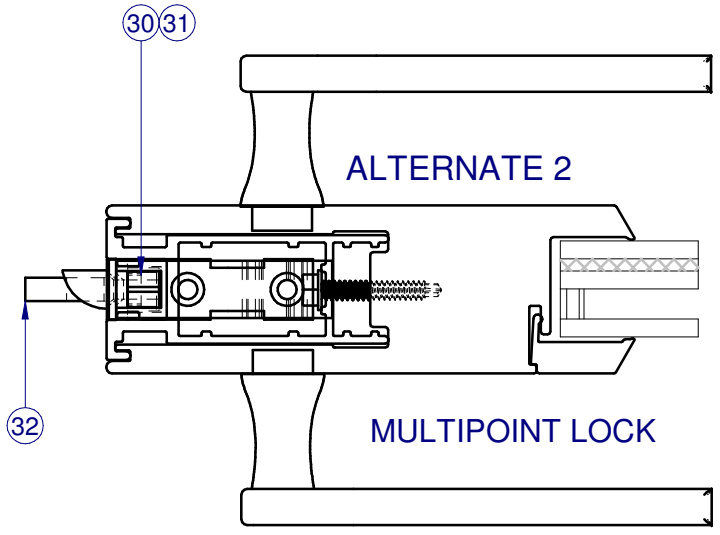


SECTION VIEW A-A



ALTERNATE 1

MORTISE LOCK w/ FLUSH BOLT



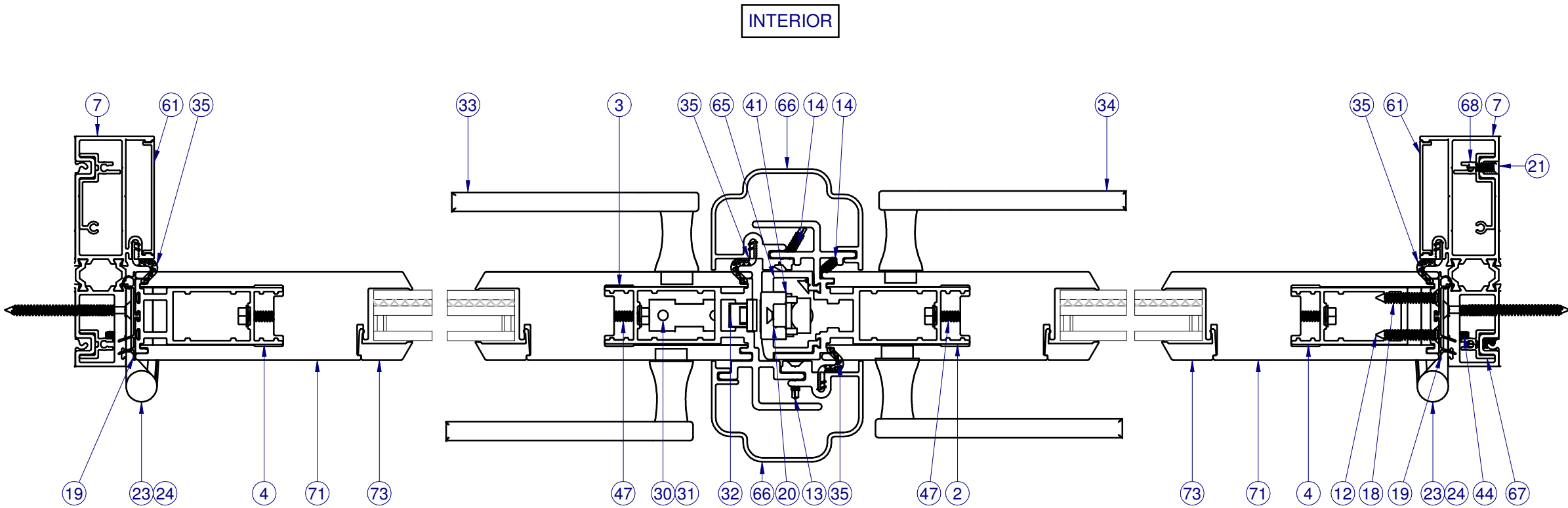
ALTERNATE 2

MULTIPOINT LOCK

ITEMS NOT SHOWN FOR CLARITY:  
10-12, 13, 15-17, 22, 43, 48, 54, 57-58

ITEMS NOT USED IN VERSION SHOWN:  
2-3, 8-9, 15-16, 25-28, 30-34, 36-40, 43, 52-53, 60, 62, 65-66, 72, 76

**8700/10/50 PVC  
SWING DOOR  
IMPACT**



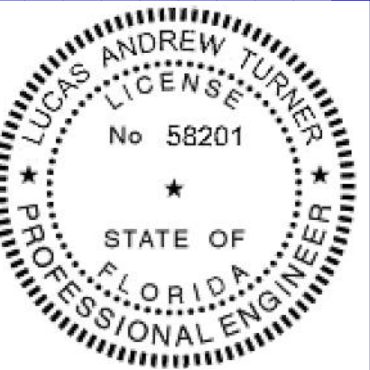
SECTION VIEW C-C

NOTE: VERTICAL SECTION SIMILAR TO SINGLE DOOR, SEE SHEET 5

ITEMS NOT SHOWN FOR CLARITY:  
10-13, 15-17, 22, 26-28, 36-39, 43, 54, 57

ITEMS NOT USED IN VERSION SHOWN:  
8-9, 15-16, 25, 40, 42, 45-46, 48, 52-53, 58, 60, 74, 76

REVISIONS		NO.:	DESCRIPTION:	BY:	DATE:
B	UPDATED PER 2014 FBC	EMK	04/14/15		
A	UPDATED PER 2010 FBC	ADE	11/14/11		



*LT*  
4/18/2015

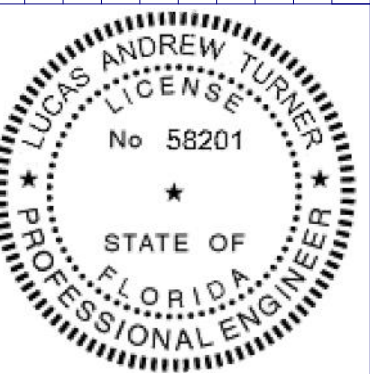
LUCAS A. TURNER, P.E.  
FL PE # 58201  
1239 JABARA AVE.  
NORTH PORT, FL 34288  
PH. 941-380-1574

SHEET DESCRIPTION:  
**SECTION VIEWS  
FRENCH DOOR**

DRAWN BY: <b>ADE</b>	DATE: <b>09/08/11</b>
DWG #: <b>CWS-641</b>	REV.: <b>B</b>
SCALE: <b>1:2.5</b>	SHEET <b>6 OF 12</b>

**8700/10/50 PVC  
SWING DOOR  
IMPACT**

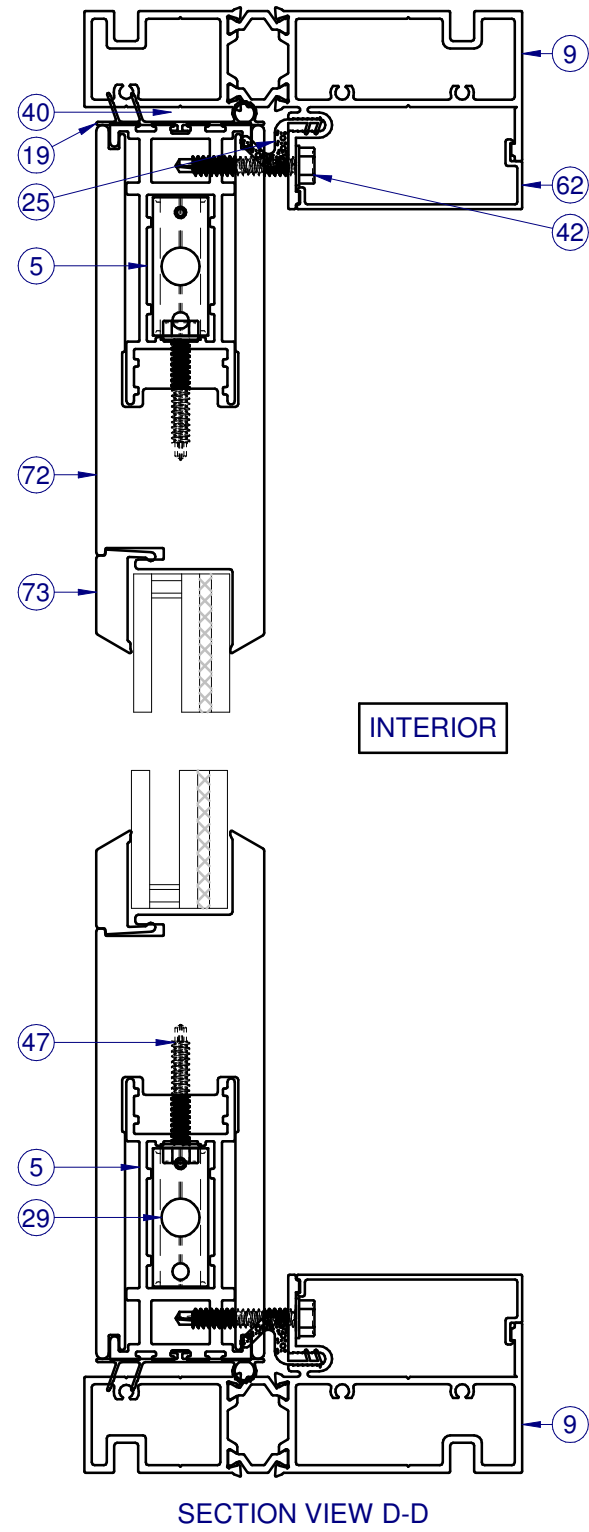
NO.	DESCRIPTION:	BY:	DATE:
B	UPDATED PER 2014 FBC	EMK	04/14/15
A	UPDATED PER 2010 FBC	ADE	11/14/11

  
*LT*  
 4/18/2015

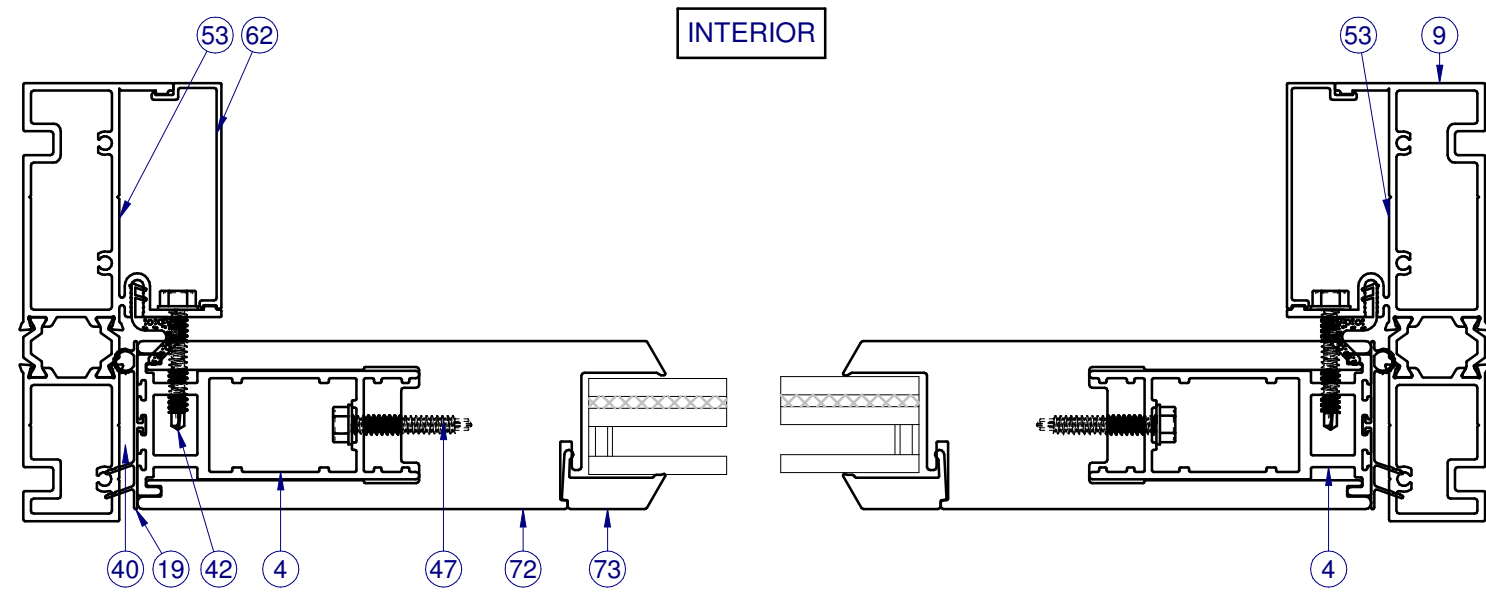
LUCAS A. TURNER, P.E.  
FL PE # 58201  
1239 JABARA AVE.  
NORTH PORT, FL 34288  
PH. 941-380-1574

SHEET DESCRIPTION:  
**SECTION VIEWS  
ATTACHED SIDELITE**

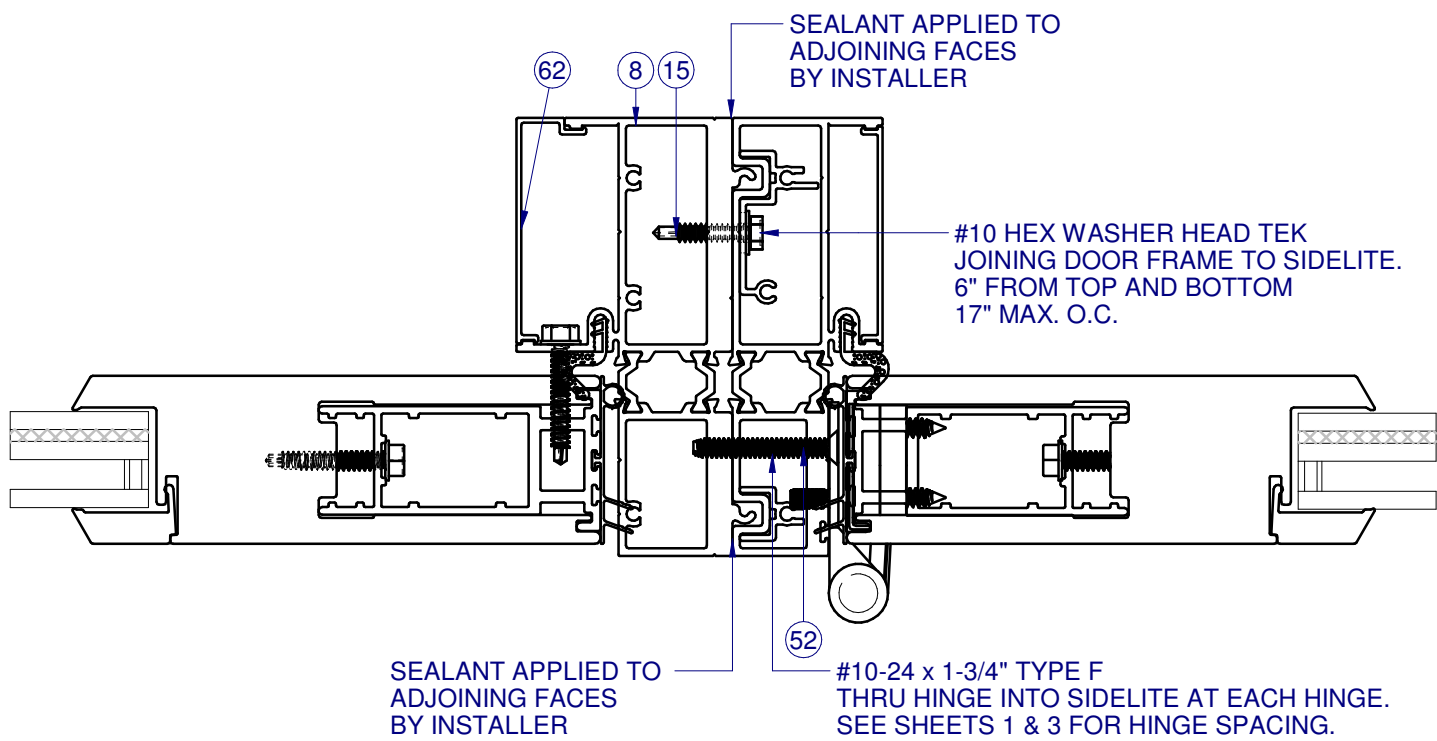
DRAWN BY: <b>ADE</b>	DATE: <b>09/08/11</b>
DWG #: <b>CWS-641</b>	REV.: <b>B</b>
SCALE: <b>1:2</b>	SHEET <b>7 OF 12</b>



INTERIOR



INTERIOR



ITEMS NOT SHOWN FOR CLARITY:  
10-11, 16, 22, 28, 43, 57

ITEMS NOT USED IN VERSION SHOWN:  
1-3, 6-15, 17-18, 20-21, 23-24, 26-27, 30-39, 41, 44-46, 48-52, 54-56, 58-61, 63-71, 74-76

PARTS LIST				
ITEM	PART #	DESCRIPTION	MATERIAL	VENDOR
1	H-1833	MAIN FRAME, HEAD	ALUM	KEYMARK
2	H-1857	ASTRAGAL, INACTIVE, FD, PVC	ALUM	KEYMARK
3	H-1858	ASTRAGAL, ACTIVE, FD, PVC	ALUM	KEYMARK
4	H-1860	REINFORCEMENT, VERT.	ALUM	KEYMARK
5	H-1861	REINFORCEMENT, HORIZ.	ALUM	KEYMARK
6	H-1878	MAIN FRAME, SILL	ALUM	KEYMARK
7	H-1880	MAINFRAME, JAMB	ALUM	KEYMARK
8	H-1881	MAINFRAME, SIDELITE @ DOOR	ALUM	KEYMARK
9	H-1900	MAINFRAME, SIDELITE @ JAMB, HEAD, SILL	ALUM	KEYMARK
10	P-3039	SETTING BLOCK, 1/8 X 1 X 2		FRANKLOWE
11		SIKAFLEX 552 or PURFECT GLAZE "H"		SIKA - HENKEL
12	P-3503	SCREW #8 X 1/2" PH TRUSS SS @ ASTRAGAL CAP		FASTENAL
13	P-3511	SCREW #8 x 5/8" SQ. PAN TEK @ TIEROD BRKT		FASTENAL
14	P-3587	SCREW #8 X 1", PH FLAT TEK @ ASTRAGAL, INSERT, LOCK		FASTENAL
15	P-3767	SCREW, #10 X 1" HEX HEAD, TEK @ SIDELITE		FASTENAL
16	P-4146	SCREW #8 X 3/4 PHIL, FLAT SS TEK @ SIDELITE SHIM		FASTENAL
17	P-4278	FUZZY PAD, .200" x 1.250" W/ADHESIVE		ULTRAFAB
18	P-4522	#10 x 1 1/4", PH FLAT, SMS - HINGE @ PANEL		FASTENAL
19	P-4774	WSTP, BULB/LEAFS, PANEL		AMESBURY
20	P-4790	FLUSH BOLT, ASSM, TOP/BTM		SULLIVAN
21	P-4794	SCREW #8 x 5/8" SQ.FLAT TEK @ INSERT ATTACH		FASTENAL
22	P-4802	ALL THREADED ROD (TIE ROD)		McMASTER
23	P-4807	HINGE, GUIDE		HOPPE
24	P-4808/P4809	HINGE, SET		HOPPE
25	P-4814	WSTP, .50X750 FOLDED BULB SEAL, @ SIDELITE		AMESBURY
26	P-4863	LOCK STRIKE PLATE		PADDOCK
27	P-4864	RHINO STRIKE PLATE		PADDOCK
28	P-4866	GUIDE, TIE ROD	NYLON	M&M
29	P-4871	TIE ROD BRACKET	ZINC	SULLIVAN
30	P-4885	SHOOT BOLT, TOP		PADDOCK
31	P-4886	SHOOT BOLT, BOTTOM		PADDOCK
32	P-4851	LOCKBAR, INACTIVE, 8 FT		PADDOCK
32	P-4884	LOCKBAR, MULTI-POINT, 5PT, 8 FT		PADDOCK
32	P-4901	LOCKBAR, MULTI-POINT, 4PT, 6'8 FT		PADDOCK
32	P-4902	LOCKBAR, INACTIVE, 6'8 FT		PADDOCK
33	P-4903	HANDLE SET, ACTIVE		PADDOCK
34	P-4905	HANDLE SET, INACTIVE		PADDOCK
35	P-4913	WSTP, .50X50 FOLDED BULB SEAL, @ DOOR		SCHELGEL
36	P-4917	CAP, ASTRAGAL, OUTSIDE	NYLON	M&M
37	P-4918	GUIDE, FLUSH BOLT, INACTIVE PNL		M&M
38	P-4922	COVER, INTERIOR, FLUSH BOLT	NYLON	M&M
39	P-4925	CAP, ASTRAGAL, INSIDE	NYLON	M&M
40	P-4926	SHIM, SIDELITE, DOOR SHIPPING BLOCK	NYLON	M&M
41	P-4927	GUIDE, FLUSH BOLT	NYLON	M&M
42	P-4930	SCREW, #10 X 1-1/4" HEX HEAD TEK @ SIDELITE ATTACH		FASTENAL
43	P-4933	NUT, 3/8"-16 FLANGED W/ SERRATED LIP, SS, @ PANEL		McMASTER
44	P-4934	SCREW, #12-24 X 1/2", PH FLAT, MS, @ HINGE		FASTENAL
45	P-4936	DOOR KNOB, ACTIVE PANEL *		DELANY
46	P-4937	DEADBOLT, ACTIVE PANEL *		DELANY
47	P-4969	SCREW, #10 X 2" REINF. ATTACH.		FASTENAL
48	P-4997	STRIKE, DEADBOLT		PADDOCK
49	P-5127	SCREW, #12 X 2", PH PAN, SMS, ANCHOR		FASTENAL
50	P-5130	GASKET, DOOR SILL, FRONT	FOAM	HO PRODUCTS

\* ALTERNATE APPROVED LOCKSETS:  
PAMEX GRADE 2 LOCKSET AND DEADBOLT



1900 SW 44TH AVE.  
OCALA, FLORIDA 34474  
WWW.CWS.CC

**8700/10/50 PVC  
SWING DOOR  
IMPACT**

				EMK	04/14/15		
				ADE	11/14/11		
				B	UPDATED PER 2014 FBC		
				A	UPDATED PER 2010 FBC		
				NO:	DESCRIPTION:		REVISIONS



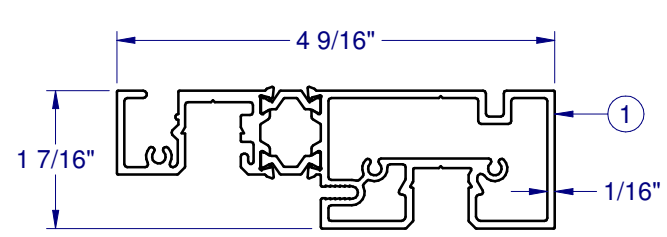
LUCAS A. TURNER, P.E.  
FL PE # 58201  
1239 JABARA AVE.  
NORTH PORT, FL 34288  
PH. 941-380-1574

SHEET DESCRIPTION:

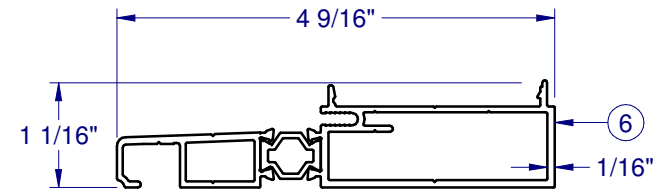
DRAWN BY: <b>ADE</b>	DATE: <b>09/08/11</b>
DWG #: <b>CWS-641</b>	REV.: <b>B</b>
SCALE: <b>1:1</b>	SHEET <b>8 OF 12</b>



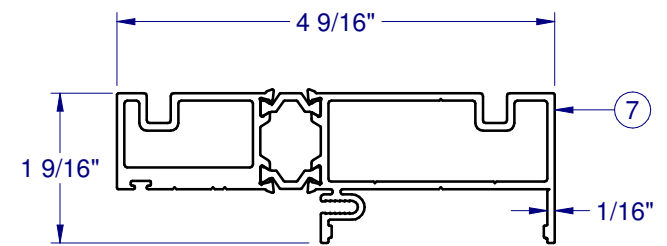
**8700/10/50 PVC SWING DOOR IMPACT**



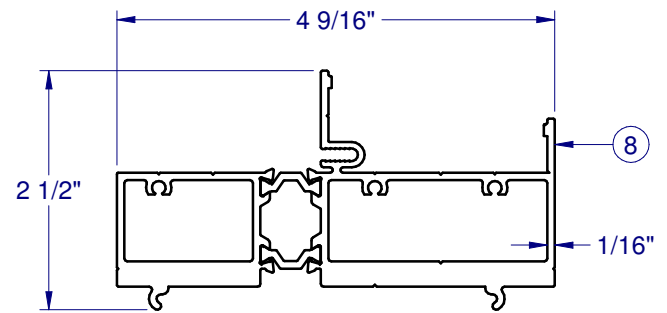
DOOR HEAD-1833



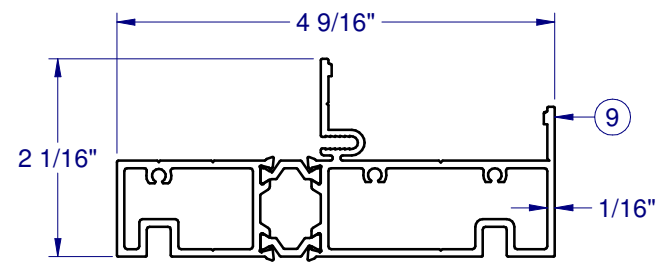
DOOR SILL-1878



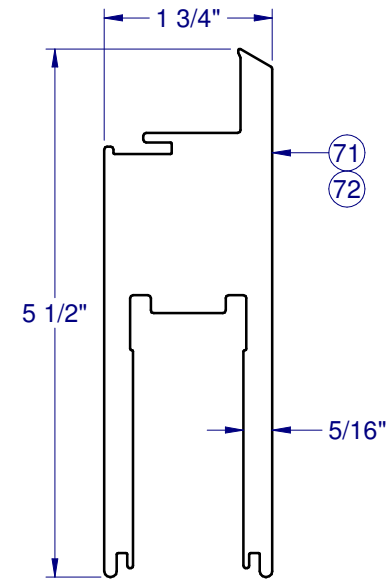
DOOR JAMB-1880



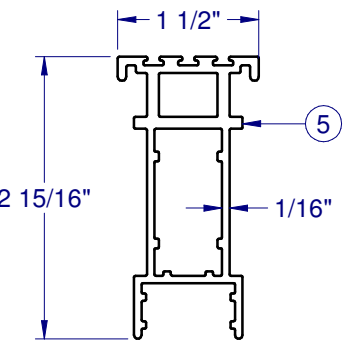
SIDELITE-1881



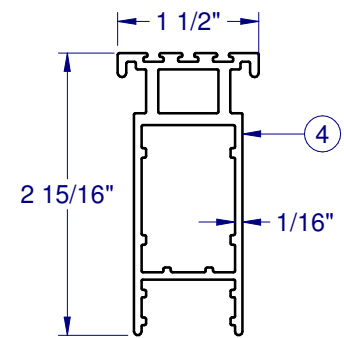
SIDELITE-1900



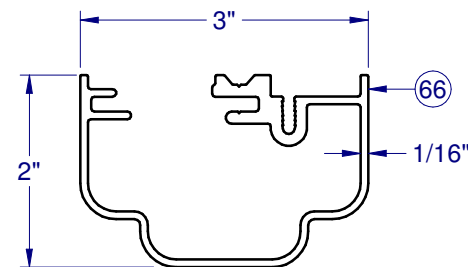
PVC DOOR PANEL - 6083



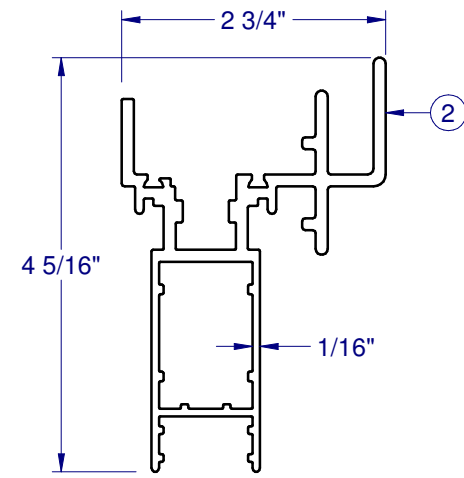
REINFORCEMENT - 1861



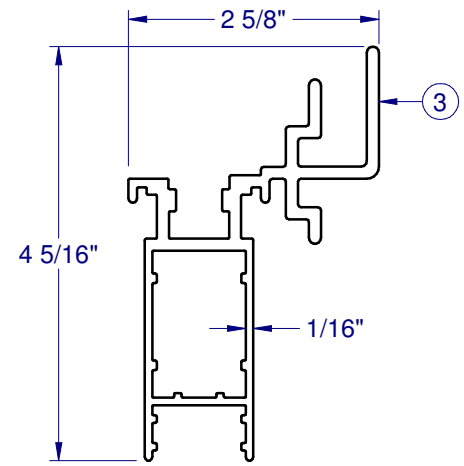
REINFORCEMENT-1860



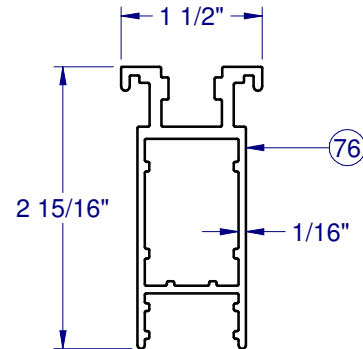
ASTRAGAL COVER-1859



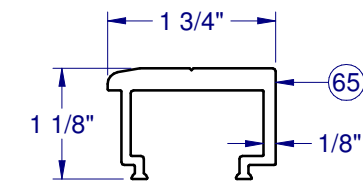
REINFORCEMENT - 1857



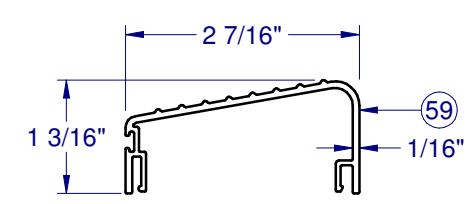
REINFORCEMENT - 1858



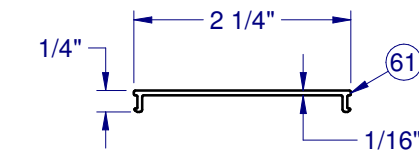
REINFORCEMENT - 1862



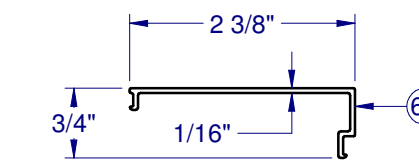
INSERT, INACTIVE PNL -1849



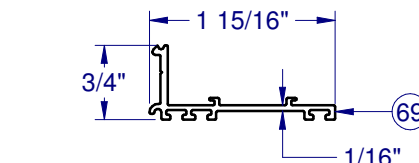
THRESHOLD - 1783



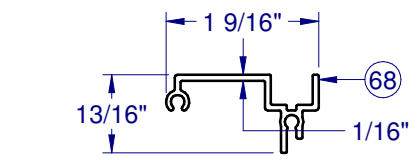
FRAME COVER - 1806



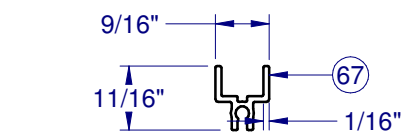
SIDELITE COVER - 1816



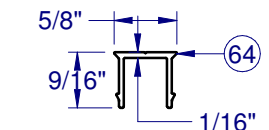
BASE SWEEP - 1915



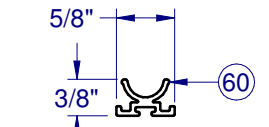
INSERT, BACK - 1865



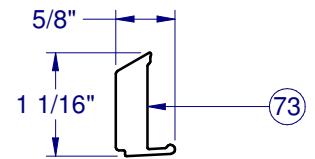
INSERT, FRONT - 1864



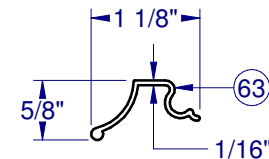
HEAD COVER - 1840



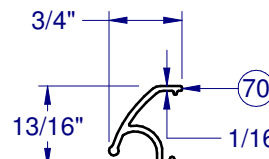
FILLER - 1784



PVC GLAZING BEAD - 6084



DRIP CAP - 1817



DRIP COVER - 1916

NO.	DESCRIPTION:	BY:	DATE:
B	UPDATED PER 2014 FBC	EMK	04/14/15
A	UPDATED PER 2010 FBC	ADE	11/14/11



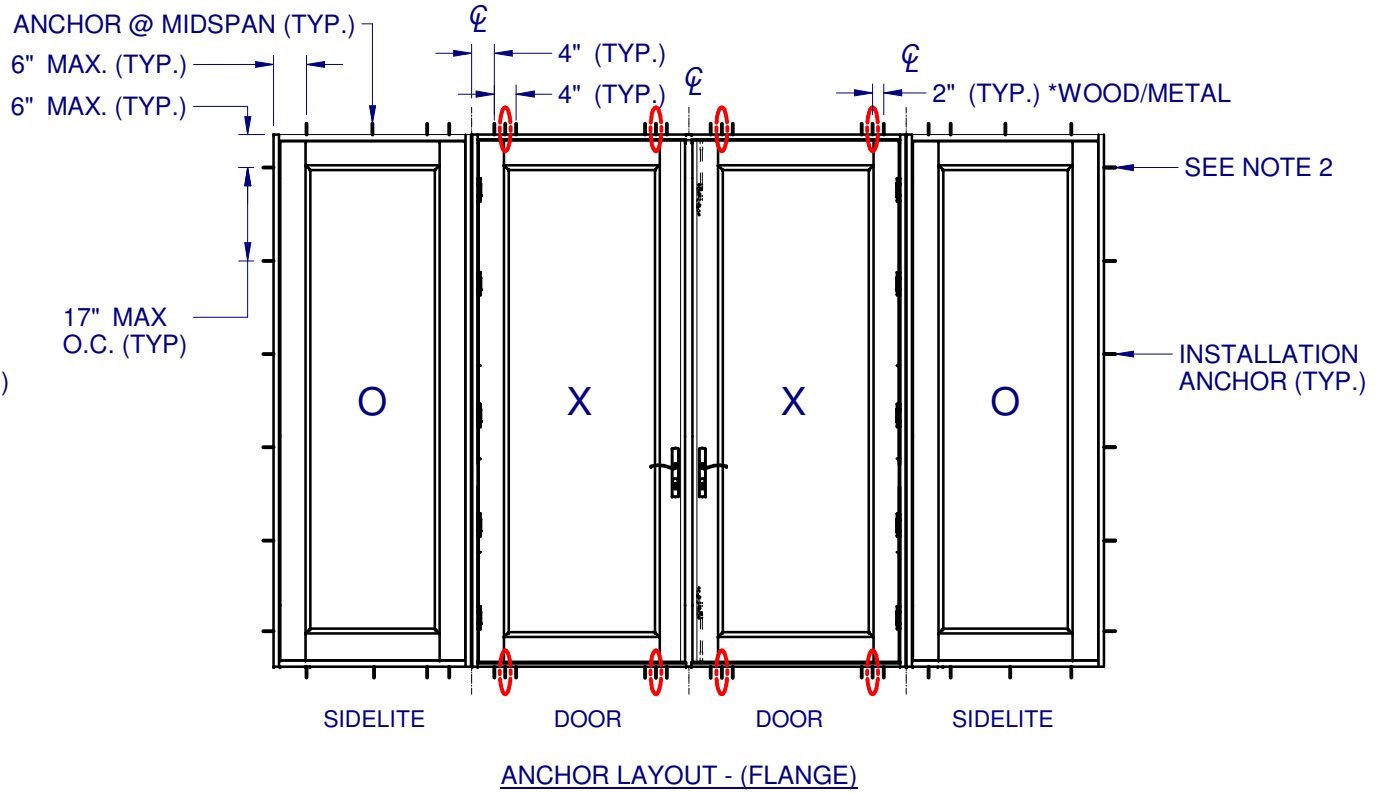
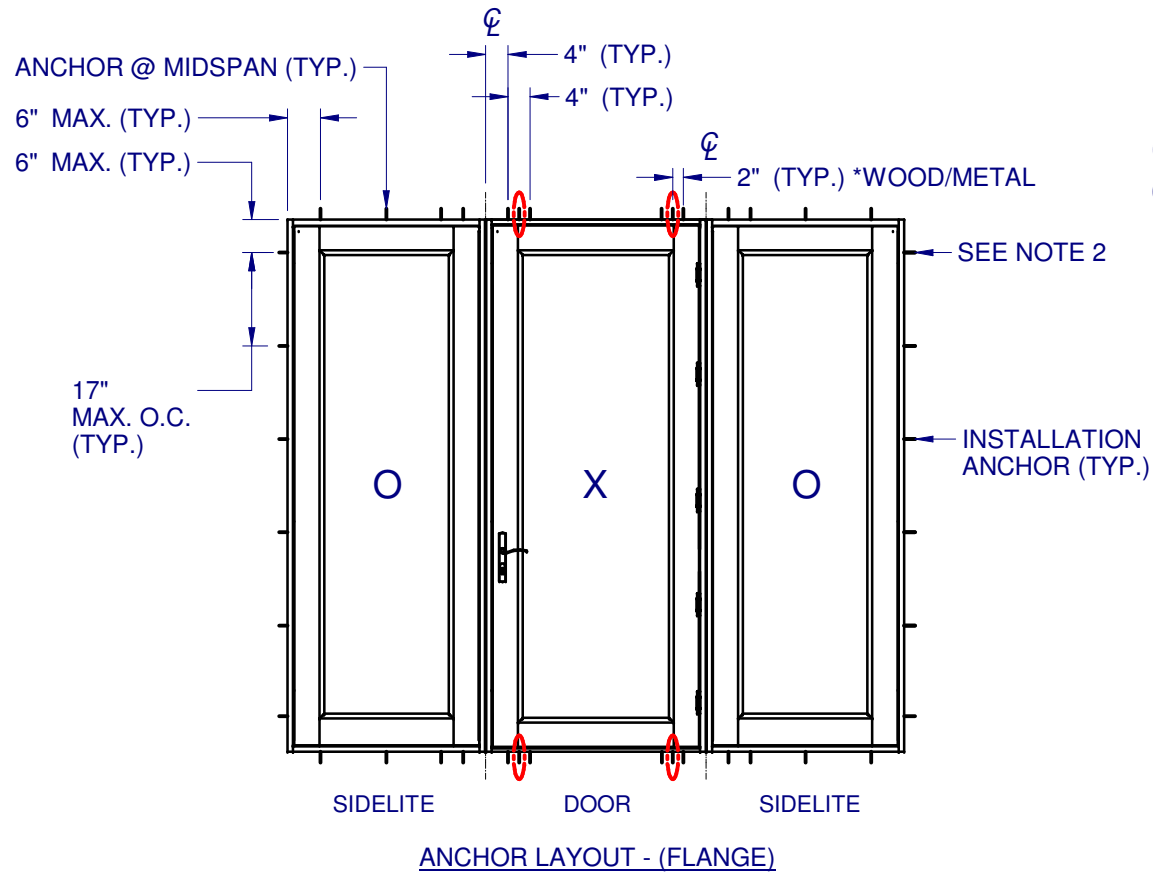
LUCAS A. TURNER, P.E.  
FL PE # 58201  
1239 JABARA AVE.  
NORTH PORT, FL 34288  
PH. 941-380-1574

SHEET DESCRIPTION:  
**EXTRUSIONS**

DRAWN BY: <b>ADE</b>	DATE: <b>09/08/11</b>
DWG #: <b>CWS-641</b>	REV.: <b>B</b>
SCALE: <b>1:2</b>	SHEET <b>9 OF 12</b>

NOTE: ALL EXTRUSIONS ARE 6063-T6 ALUMINUM

**8700/10/50 PVC SWING DOOR IMPACT**

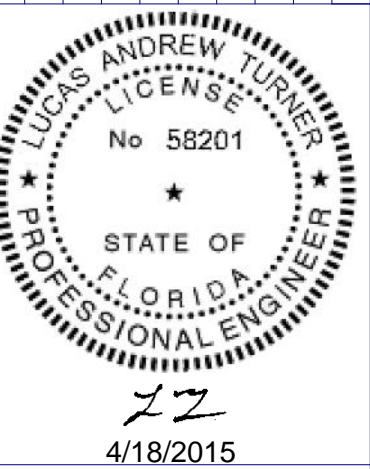


**\* CIRCLED ANCHOR LOCATIONS REQ'D ONLY IN WOOD AND METAL INSTALLATIONS. DO NOT INSTALL THESE ANCHORS INTO MASONRY.**

**NOTES:**

1. INSTALL ONE ANCHOR AT EACH INSTALLATION LOCATION. SILL ANCHOR SPACING SAME AS HEAD.
2. SHIM AS REQ AT EACH INSTALLATION ANCHOR USING LOAD BEARING SHIMS. MAX. ALLOWABLE SHIM STACK TO BE 1/4". USE SHIMS WHERE SPACE GREATER THAN 1/16" IS PRESENT. LOAD BEARING SHIMS SHALL BE CONSTRUCTED OF HIGH DENSITY PLASTIC OR BETTER. WOOD SHIMS ARE NOT ALLOWED.
3. ANCHOR TYPE, SIZE, SPACING AND EMBEDMENT SHALL BE AS SPECIFIED IN THESE DRAWINGS, SEE TABLE 1, SHEET 11.
4. ALL INSTALLATION ANCHORS MUST BE MADE OF OR PROTECTED WITH A CORROSION RESISTANT MATERIAL OR COATING. DISSIMILAR METALS OR MATERIALS IN CONTACT WITH PRESSURE TREATED WOOD MUST BE PROTECTED TO PREVENT REACTION.
5. INSTALLATION ANCHORS SHALL BE IN ACCORDANCE WITH ANCHOR MANUFACTURER'S INSTALLATION INSTRUCTIONS, AND ANCHORS SHALL NOT BE USED IN SUBSTRATES WITH STRENGTHS LESS THAN THE MINIMUM SPECIFIED IN TABLE 1, SHEET 11.
6. ANCHOR EMBEDMENT TO SUBSTRATE SHALL BE BEYOND WALL DRESSING OR STUCCO. FOR CONCRETE/CMU OPENINGS, EMBEDMENT SHALL BE BEYOND WOOD BUCKS, IF USED, INTO SUBSTRATE. INSTALLATIONS TO SOLID CONCRETE OR GROUT-FILLED CMU MAY INCLUDE BUT DO NOT REQUIRE 1X WOOD BUCKS BETWEEN THE PRODUCT AND SUBSTRATE. INSTALLATIONS TO HOLLOW CMU REQUIRE THE USE OF 1X BUCKS BETWEEN THE PRODUCT AND SUBSTRATE.
7. A MINIMUM CENTER-TO-CENTER SPACING SHALL BE MAINTAINED BETWEEN ALL FASTENERS: 4" FOR MASONRY, 2-3/16" FOR HINGES (ALL SUBSTRATES), 1" FOR WOOD AND METAL.
8. WOOD OR MASONRY OPENINGS, BUCKS AND BUCK FASTENERS SHALL BE PROPERLY DESIGNED BY THE ARCHITECT OR ENGINEER OF RECORD AND INSTALLED TO TRANSFER WIND LOADS TO THE STRUCTURE. SUBSTRATES SHALL MEET THE MINIMUM STRENGTH REQUIREMENTS AS SHOWN IN TABLE 1, SHEET 11. CONCRETE AND MASONRY SUBSTRATES MAY NOT BE CRACKED.
9. SEALING AND FLASHING STRATEGIES FOR OVERALL WATER RESISTANCE OF INSTALLATION SHALL BE DONE BY OTHERS FOLLOWING THE CURRENT VERSION OF THE REFERENCE DOCUMENTS: FMA/AAMA 100(FIN WINDOWS), FMA/AAMA 200(FLANGE WINDOWS), FMA/WDMA 250(BOX WINDOWS), FMA/AAMA/WDMA 300(EXTERIOR DOORS)

NO.	DESCRIPTION	BY	DATE
B	UPDATED PER 2014 FBC	EMK	04/14/15
A	UPDATED PER 2010 FBC	ADE	11/14/11



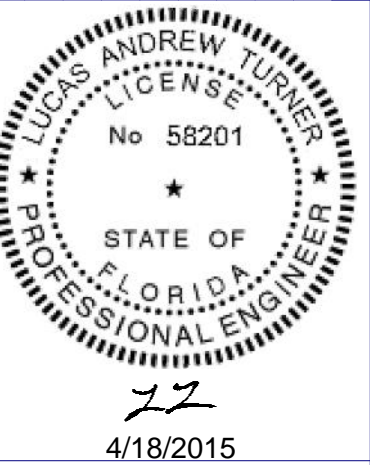
LUCAS A. TURNER, P.E.  
FL PE # 58201  
1239 JABARA AVE.  
NORTH PORT, FL 34288  
PH. 941-380-1574

SHEET DESCRIPTION:  
**ANCHOR SCHEDULE AND NOTES**

DRAWN BY: <b>ADE</b>	DATE: <b>09/08/11</b>
DWG #: <b>CWS-641</b>	REV.: <b>B</b>
SCALE: <b>1:8</b>	<b>SHEET 10 OF 12</b>

**8700/10/50 PVC SWING DOOR IMPACT**

NO.	DESCRIPTION	BY	DATE
B	UPDATED PER 2014 FBC	EMK	04/14/15
A	UPDATED PER 2010 FBC	ADE	11/14/11

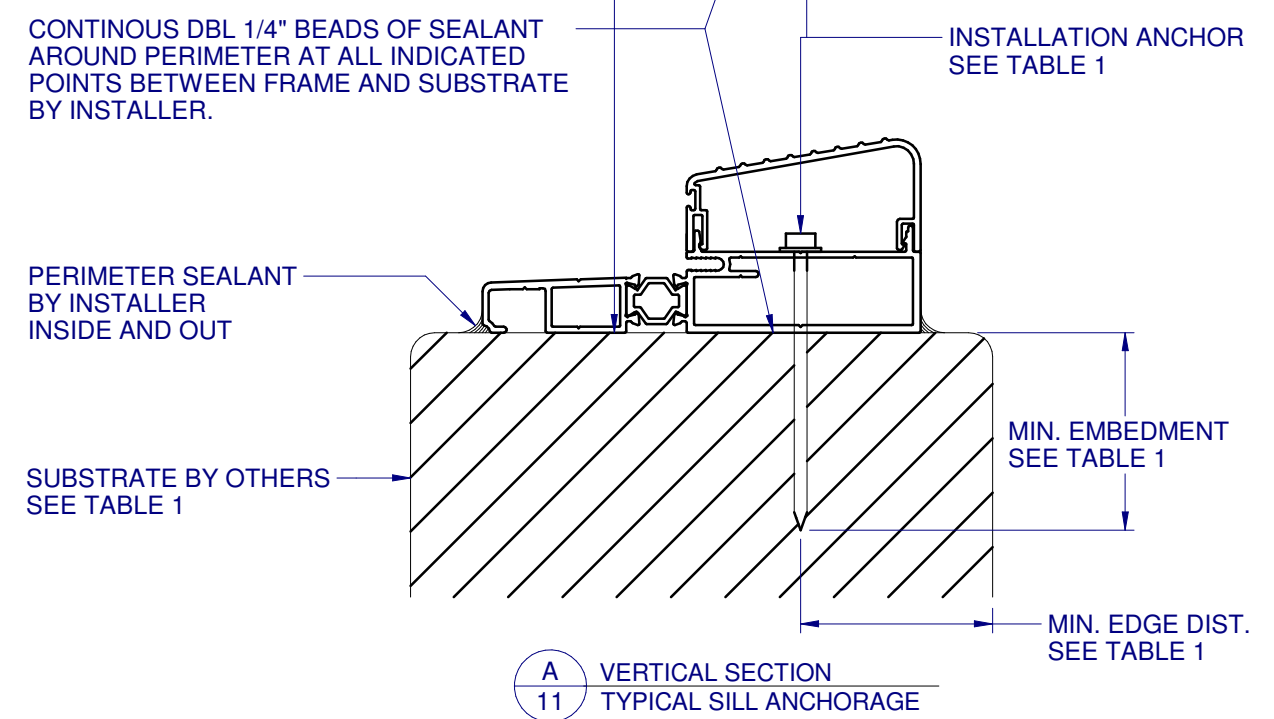
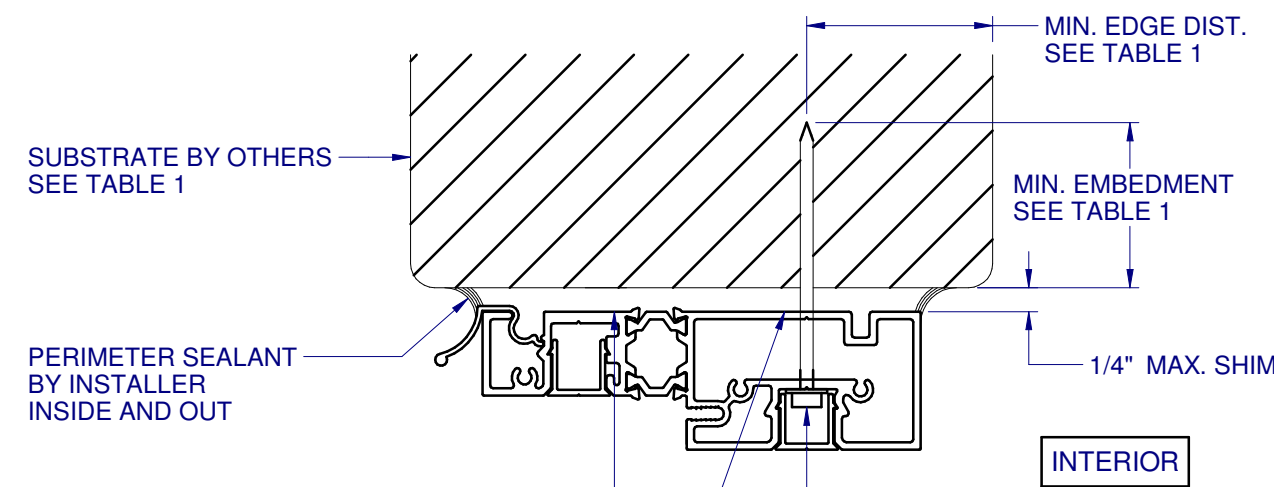


4/18/2015  
LUCAS A. TURNER, P.E.  
FL PE # 58201  
1239 JABARA AVE.  
NORTH PORT, FL 34288  
PH. 941-380-1574

SHEET DESCRIPTION:  
**INSTALLATION DETAILS DOOR**

DRAWN BY: <b>ADE</b>	DATE: <b>09/08/11</b>
DWG #: <b>CWS-641</b>	REV.: <b>B</b>
SCALE: <b>1:2</b>	SHEET <b>11 OF 12</b>

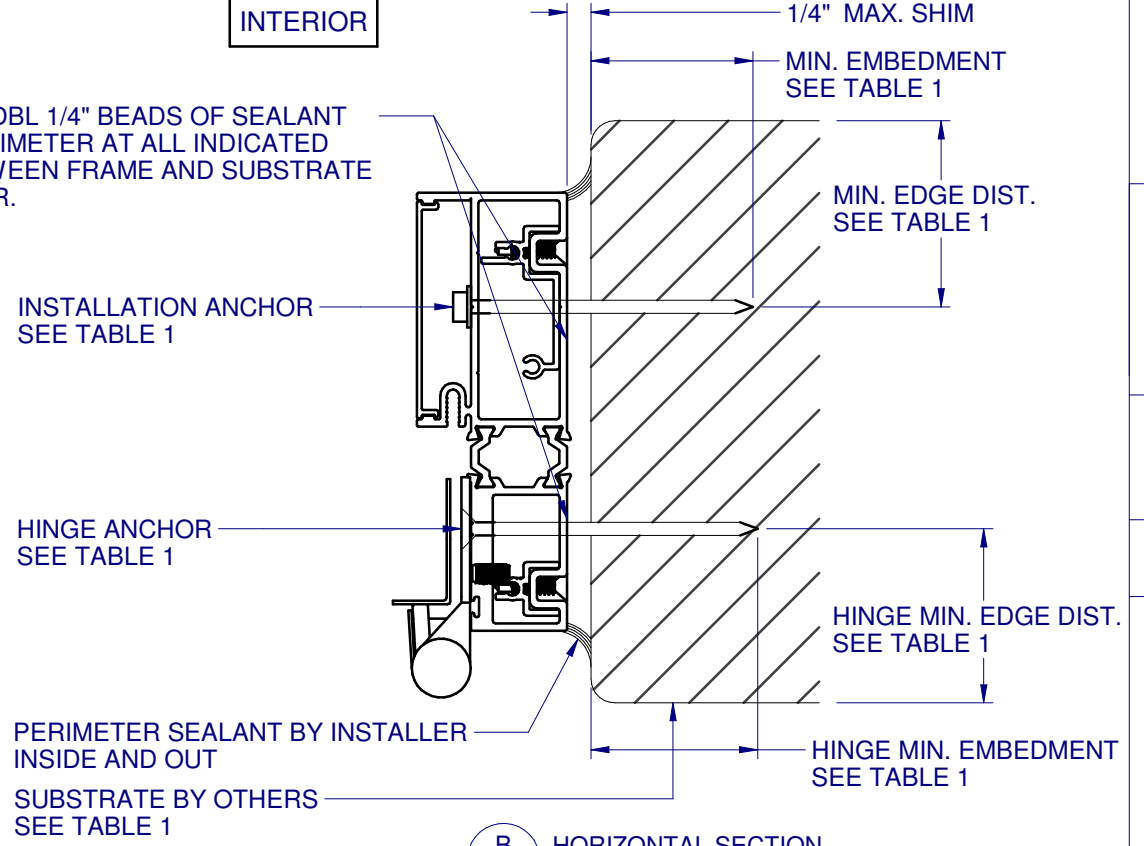
**TYPICAL HEAD ANCHORAGE**



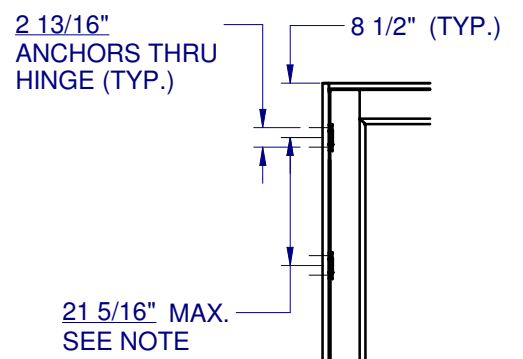
**A** VERTICAL SECTION  
**11** TYPICAL SILL ANCHORAGE

**INTERIOR**

CONTINUOUS DBL 1/4" BEADS OF SEALANT AROUND PERIMETER AT ALL INDICATED POINTS BETWEEN FRAME AND SUBSTRATE BY INSTALLER.



**B** HORIZONTAL SECTION  
**11** TYPICAL JAMB / HINGE ANCHORAGE



**HINGE LAYOUT**  
1:30

NOTE:  
HINGE SPACINGS ARE:  
8-1/2" FROM ENDS  
21-5/16" MAX. O.C. FOR UP TO 81" UNIT HEIGHT.  
20" MAX. O.C. FOR OVER 81" UNIT HEIGHT.

**TABLE 1: APPROVED INSTALLATION FASTENERS**

SUBSTRATE TYPE	ANCHOR TYPE	MIN. EMBEDMENT	MIN. EDGE DIST.
CONCRETE (2.85 KSI MIN.)	1/4" ELCO ULTRACON	1-3/4"	2-1/2"
HOLLOW OR GROUT-FILLED CMU (ASTM C-90)	1/4" ELCO ULTRACON	1-1/4"	2-1/2"
2X MIN. SOUTHERN PINE (G=0.55)	1/4" ELCO ULTRACON	1-3/8"	7/8"
2X MIN. SOUTHERN PINE (G=0.55)	#12 WOOD SCREW	1-3/8"	7/8"
16 GAUGE (0.060") MIN. STEEL STUD (33 KSI YIELD MIN)	#12-14 HILTI KWIK-FLEX OR ITW TEKS SELF-DRILLING SCREW	FULL THREAD THRU 0.060"	1/2"
1/8" ALUM. (6063-T5 MIN.) OR 1/8" STEEL (33 KSI MIN.)	#12 GRADE 5 SELF-TAPPING / DRILLING SCREW	FULL THREAD THRU 0.125"	1/2"
HINGE ANCHORS INTO CONCRETE (2.85 KSI MIN.)	3/16" ELCO ULTRACON	1-3/4"	2-1/2"
HINGE ANCHORS INTO HOLLOW OR GROUT-FILLED CMU (ASTM C-90)	3/16" ELCO ULTRACON	1-1/4"	2-1/2"
HINGE ANCHORS INTO 2X MIN. SOUTHERN PINE (G=0.55)	#10 WOOD SCREW	1-3/8"	7/8"
HINGE ANCHORS INTO 16 GAUGE (0.060") MIN. STEEL STUD (33 KSI YIELD MIN)	#10-16 HILTI KWIK-FLEX OR ITW TEKS SELF-DRILLING SCREW	FULL THREAD THRU 0.060"	1/2"
HINGE ANCHORS 1/8" ALUM. (6063-T5 MIN.) OR 1/8" STEEL (33 KSI MIN.)	#10 GRADE 5 SELF-TAPPING / DRILLING SCREW	FULL THREAD THRU 0.125"	1/2"

**8700/10/50 PVC SWING DOOR IMPACT**

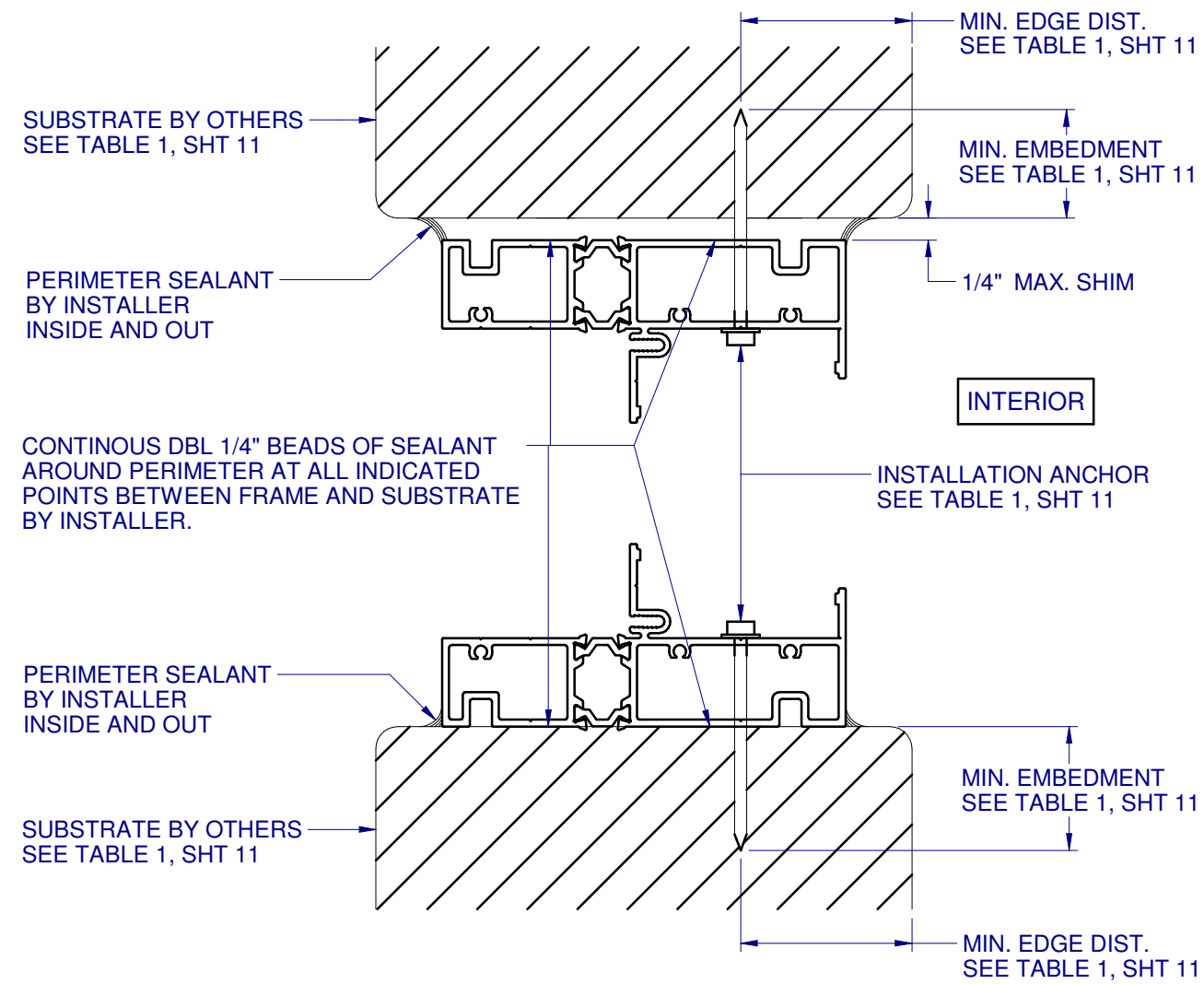
NO.	DESCRIPTION:	BY:	DATE:
B	UPDATED PER 2014 FBC	EMK	04/14/15
A	UPDATED PER 2010 FBC	ADE	11/14/11

LUCAS A. TURNER, P.E.  
FL PE # 58201  
1239 JABARA AVE.  
NORTH PORT, FL 34288  
PH. 941-380-1574

SHEET DESCRIPTION:  
**INSTALLATION DETAILS SIDELITE**

DRAWN BY: <b>ADE</b>	DATE: <b>09/08/11</b>
DWG #: <b>CWS-641</b>	REV.: <b>B</b>
SCALE: <b>1:2</b>	SHEET <b>12 OF 12</b>

**TYPICAL HEAD ANCHORAGE**



**C**  
12 VERTICAL SECTION  
TYPICAL SILL ANCHORAGE

**INTERIOR**

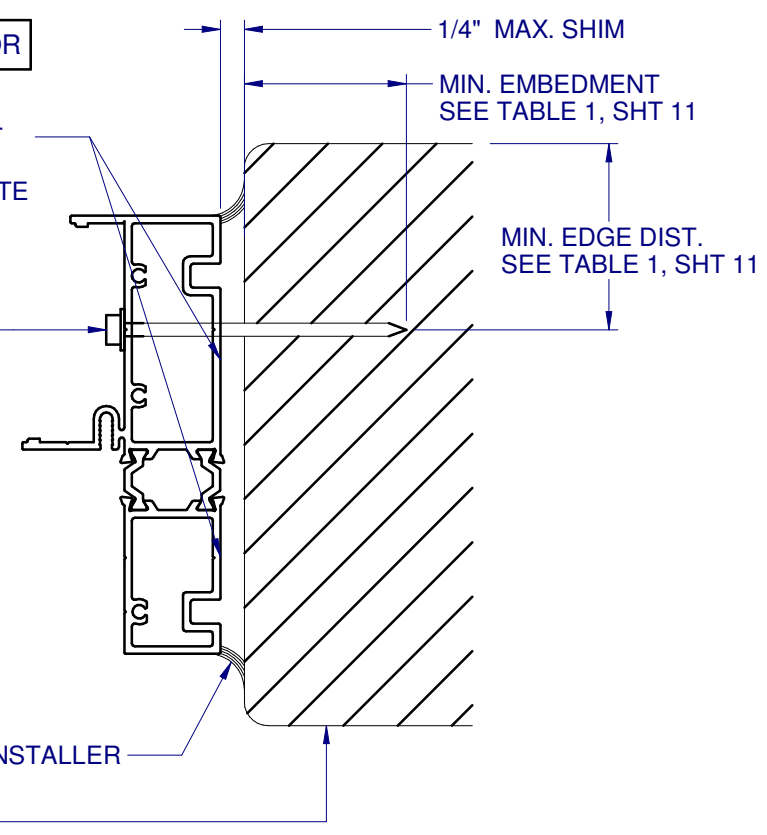
CONTINUOUS DBL 1/4" BEADS OF SEALANT AROUND PERIMETER AT ALL INDICATED POINTS BETWEEN FRAME AND SUBSTRATE BY INSTALLER.

INSTALLATION ANCHOR SEE TABLE 1, SHT 11

PERIMETER SEALANT BY INSTALLER INSIDE AND OUT

SUBSTRATE BY OTHERS SEE TABLE 1, SHT 11

**D**  
12 HORIZONTAL SECTION  
TYPICAL JAMB / HINGE ANCHORAGE



**INTERIOR**

INSTALLATION ANCHOR SEE TABLE 1, SHT 11