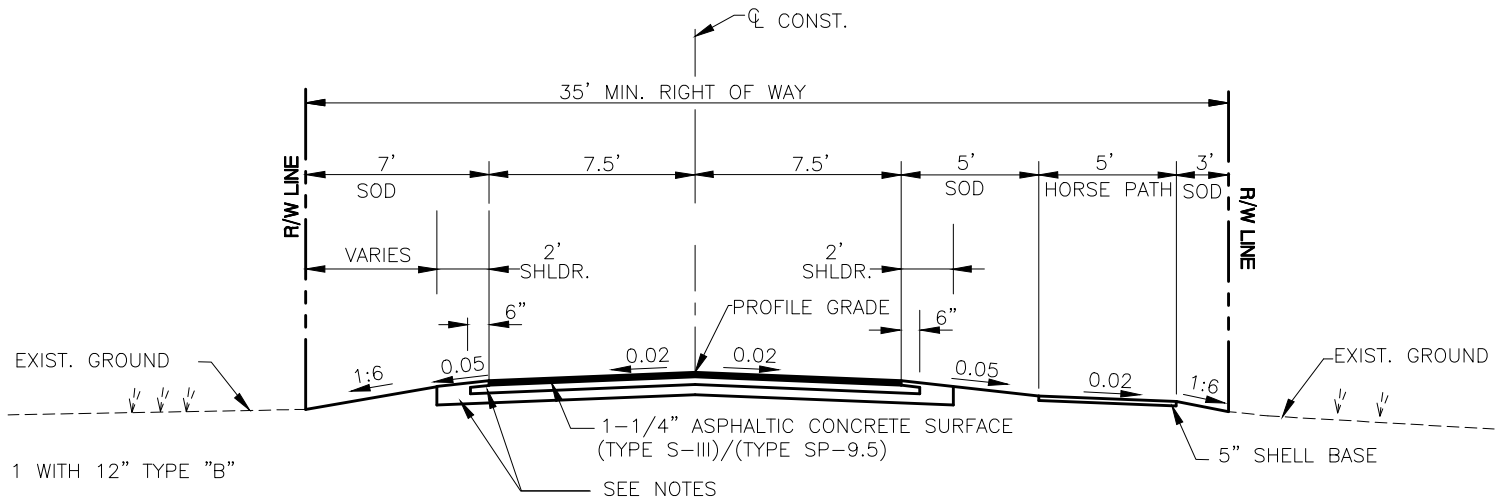


**MULTI-USE TRAIL TYPICAL SECTION 1**

N.T.S.



**MULTI-USE TRAIL TYPICAL SECTION 2**

N.T.S.

**NOTES:**

1. OPTIONAL BASE GROUP 1 WITH 12" TYPE "B" STABILIZATION LBR 40.
2. OPTIONAL BASE GROUP 6 WITH COMPACTED SUBGRADE.
3. ALL DIMENSIONS SHOWN ARE MINIMUM.
4. SEE APPROPRIATE SECTION OF TECHNICAL MANUAL FOR DESIGN PARAMETERS.
5. SOD SHALL BE PLACED IN TWO ROWS STAGGERED. (BOTH TEMPORARY AND PERMANENT)

REVISION DATE:

10/17

**TRANSPORTATION  
TECHNICAL  
MANUAL**



**Hillsborough  
County Florida**

**MULTI-USE TRAILS  
TYPICAL SECTIONS**

DRAWING NO. **TS-2**

SHEET NO. 1 OF 1