


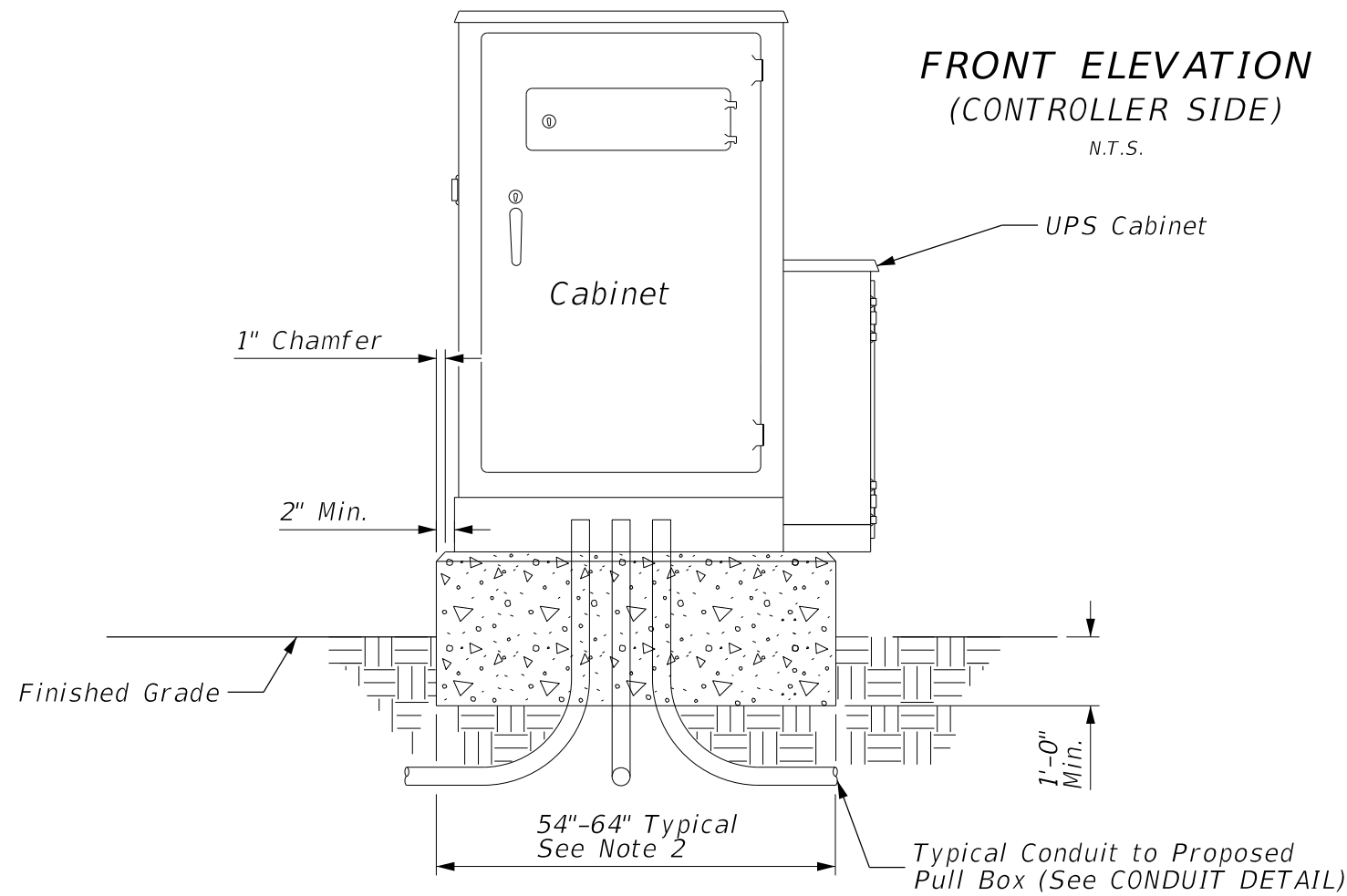
TYPE VI DOUBLE DOOR ORIENTATION

TYPICAL TYPE VI
CABINET ORIENTATION
N.T.S.

LAST REVISION 10/21/23	DESCRIPTION	 Hillsborough County Florida Standard Details	TRAFFIC CONTROLLER CABINET INSTALLATION DETAILS	INDEX TCC-001	SHEET 1 of 3
---------------------------	-------------	---	--	-------------------------	------------------------

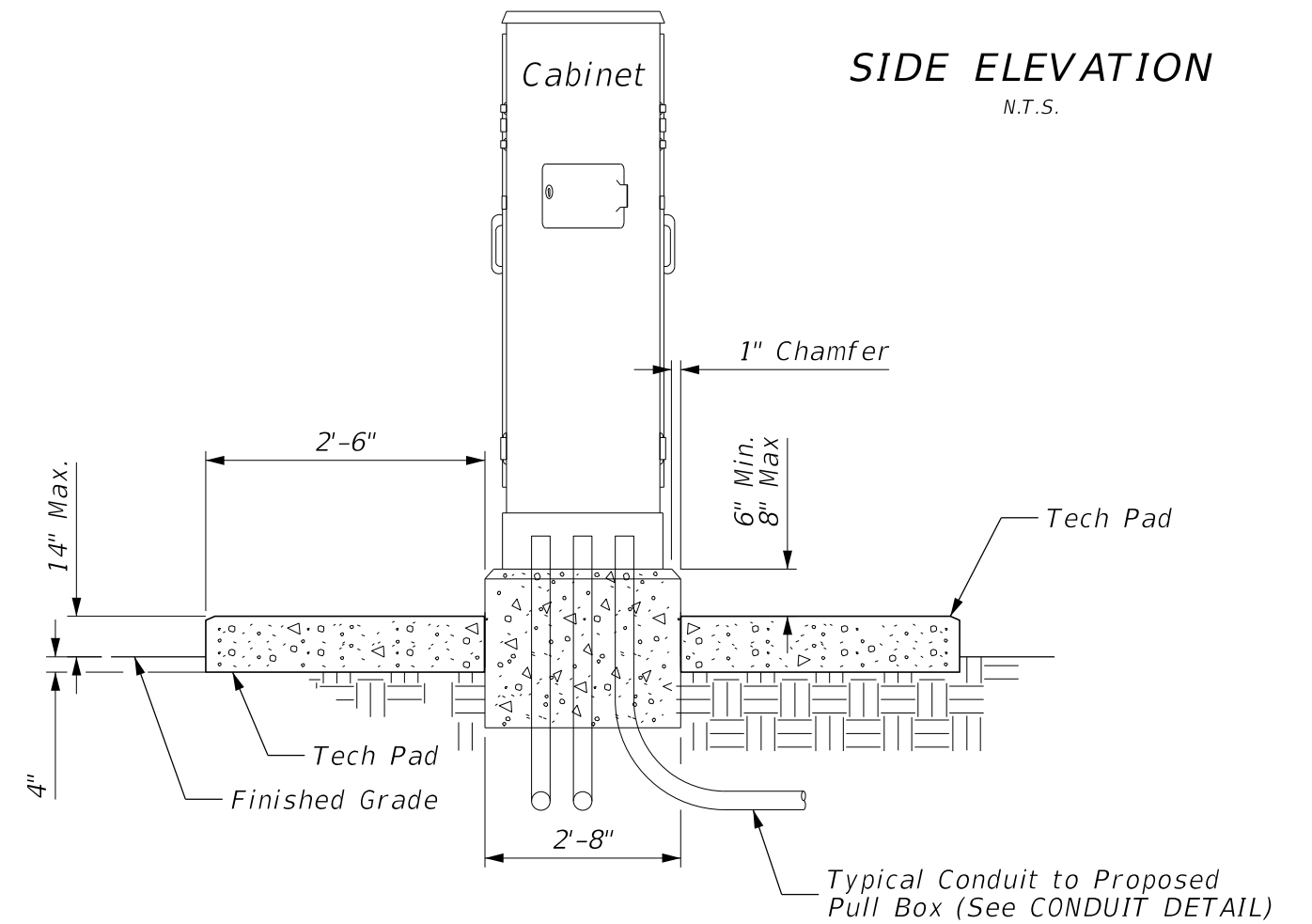
**FRONT ELEVATION
(CONTROLLER SIDE)**

N.T.S.



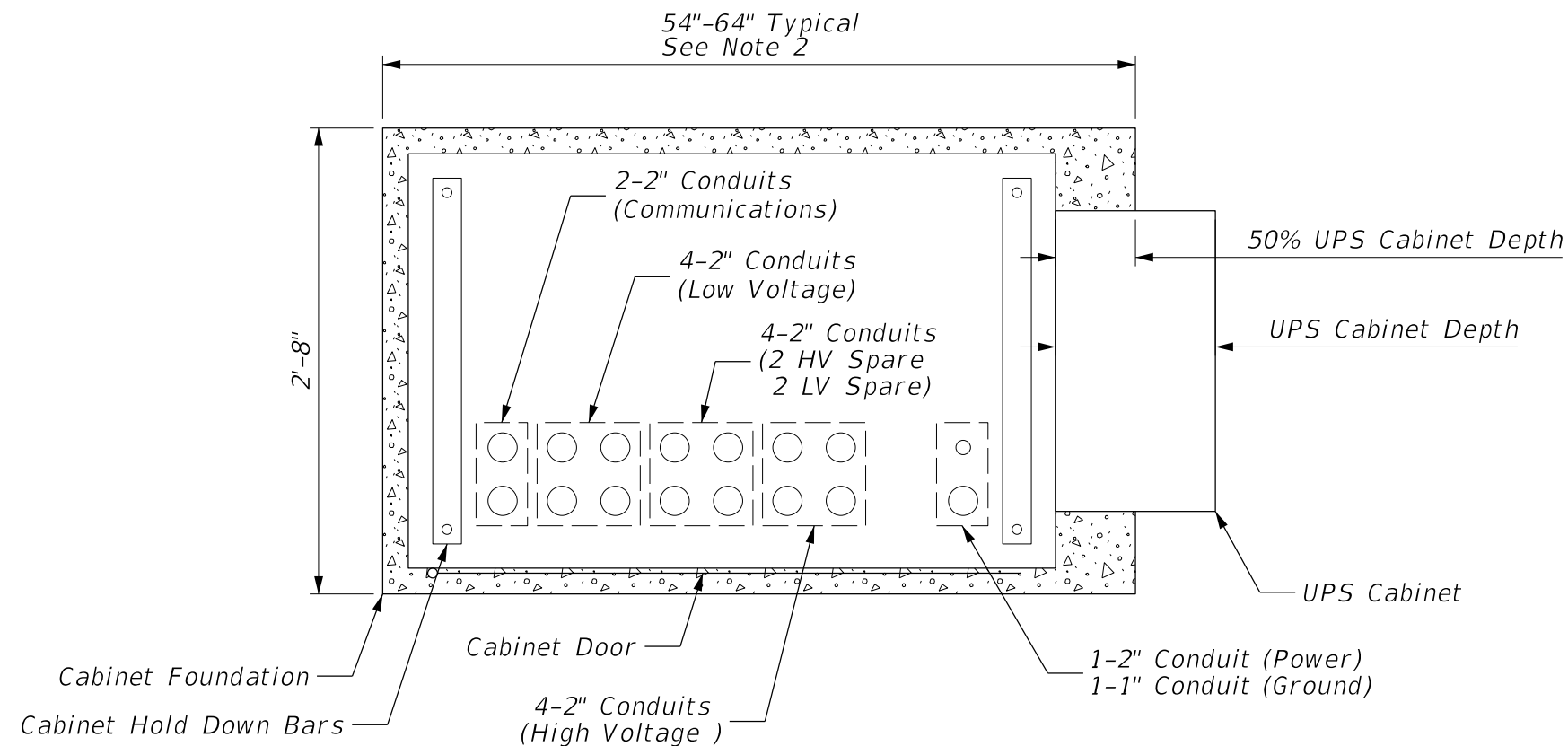
SIDE ELEVATION

N.T.S.



**CONDUIT DETAIL
PLAN VIEW**

N.T.S.



Notes:

1. Do not place the proposed pull boxes in the tech pad.
2. The foundation must support 50% of the UPS cabinet depth, at a minimum.

LAST REVISION	DESCRIPTION
10/21/23	

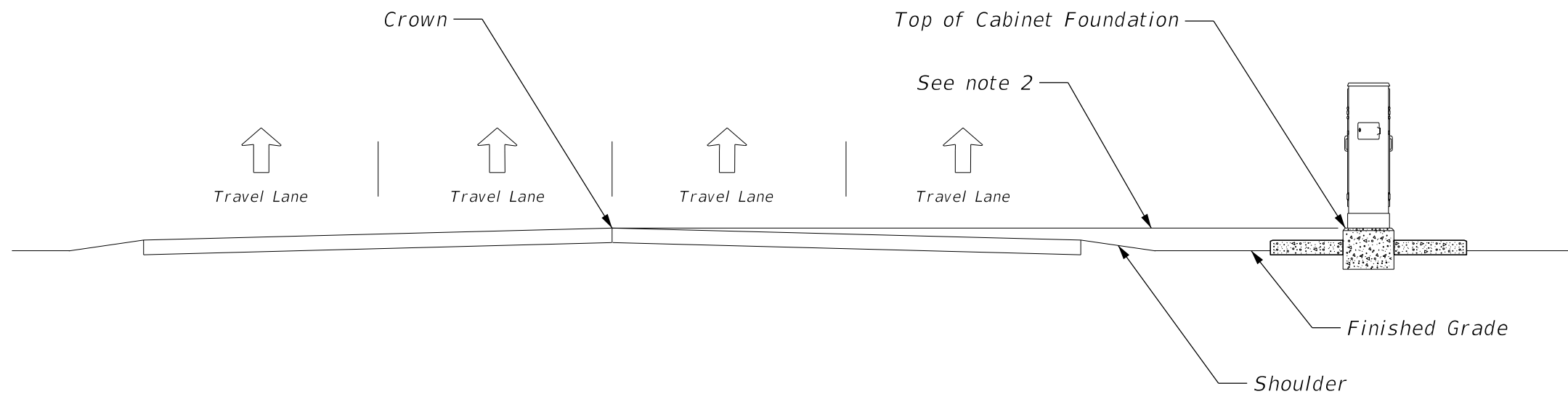


Hillsborough County Florida Standard Details

**TRAFFIC CONTROLLER CABINET
INSTALLATION DETAILS**

INDEX
TCC-001

SHEET
2 of 3




Notes:

1. See contract plans for location of traffic controller cabinet.
2. Ensure that the elevation of the top of the traffic controller cabinet foundation is at or above the elevation of the crown. Notify the County if the required foundation elevation exceeds the maximum allowable foundation specifications.

**FOUNDATION ELEVATION
ELEVATION VIEW**

N.T.S.

<p>LAST REVISION 10/21/23</p>	<p>DESCRIPTION</p>	 <p>Hillsborough County Florida Standard Details</p>	<p><i>TRAFFIC CONTROLLER CABINET INSTALLATION DETAILS</i></p>	<p>INDEX TCC-001</p>	<p>SHEET 3 of 3</p>
-----------------------------------	--------------------	--	---	--------------------------	-------------------------