



---

## **KYORUGI COMPETITION RULES & INTERPRETATION**

**Effective January 1, 2024**

---

Published by USA Taekwondo  
January 2024

© 2024 USA Taekwondo  
All rights reserved

## Table of Contents

Article 1.	Purpose	1
Article 2.	Application	2
Article 3.	Competition Area	3
Article 4.	Contestants	9
Article 5.	Weight Divisions	13
Article 6.	Classification and Methods of Competition	18
Article 7.	Duration of Contest	19
Article 8.	Drawing of Lots	20
Article 9.	Weigh-In	21
Article 10.	Procedure of the Contest	23
Article 11.	Permitted Techniques and Areas	25
Article 12.	Valid Points	26
Article 13.	Scoring and Publication	28
Article 14.	Prohibited Acts and Penalties	30
Article 15.	Golden Points and Decision of Superiority	34
Article 16.	Decisions	36
Article 17.	Knock Down	38
Article 18.	Procedure In the Event of a Knock Down	39
Article 19.	Procedures for Suspending the Match	42
Article 20.	Technical Officials	45
Article 21.	Instant Video Replay	48
Article 23.	Protest and Arbitration	50
Article 24.	Sanction Procedure	52
Article 25.	Other Matters Not Specified in the Competition Rules	55
Article 26.	Guidelines for Transgender Athletes	56



## **Article 1. Purpose**

1. The purpose of the Competition Rules is to provide standardized rules for all levels of championships organized, promoted or sanctioned by USA Taekwondo (USATKD), and ensure that all matters related to USATKD competitions are conducted in a fair and orderly manner.
2. These rules are also intended to standardize Taekwondo competition in the United States in accordance with World Taekwondo (WT)—the international governing body for the sport of Taekwondo. A competition that does not follow the fundamental principles of these rules cannot be recognized as a USA Taekwondo competition.

## **Article 2. Application**

1. These Competition Rules shall apply to all competitions to be promoted and/or organized by USATKD. Any USATKD association that wishes to modify any part of the Competition Rules for a particular competition, must first receive the approval of USATKD.
  - 1.1. Any organization wanting to make a change to some portion of the existing rules must submit the contents of the proposed changes to USATKD, along with the reasons for the change. Approval for any changes in these rules must be received from USATKD one month prior to the scheduled competition.
2. All competitions promoted, organized, or sanctioned by USATKD shall abide by the USATKD Medical Code and USATKD Anti-Doping Rules.

---

### (Explanation #1)

With prior approval from USATKD, competition rules such as ring dimensions, weight categories, the number of referees, positions for the Inspector, Recorder and Medical Staff, etc., and contest duration may be modified for a particular event or events. However, basic competition principles such as valid points, warnings, deductions, and the Contest Area must not be changed. Under no circumstances may head contact be allowed for age and belt groups where it is not permitted under Junior Competition Rules.

---

## Article 3. Competition Area

### 1. The Competition Area

- 1.1. The Competition Area consists of a Contest Area and a Safety Area. It shall have a flat surface without any obstructing projections, and be covered with an elastic, non-slippery mat.
- 1.2. The Competition Area may also be installed on a platform 0.6m – 1m high, if necessary. For the safety of the contestants, the outer part of the Boundary Line (the Safety Boundary Area) shall be inclined at a gradient of less than 30 degrees.
- 1.3. One of the following shapes can be used for the Contest Area:
  - 1.3.1. Square shape  
The square Contest Area shall be 8m x 8m. Surrounding the contest area, approximately equidistant on all sides, shall be the Safety Area. The size of the Competition Area (which includes both the Contest Area and the Safety Area) shall be no smaller than 10m x 10m and no larger than 12m x 12m. If the Competition Area is on a platform, the Safety Area may be increased as needed to ensure the safety of contestants. The Competition Area and the Safety Area shall be of different, contrasting colors.
  - 1.3.2. Octagonal shape  
The Competition Area shall be square shaped and the size shall be no smaller than 10m x 10m and no larger than 12m x 12m. At the center of the Competition Area shall be the octagonal Contest Area. The Contest Areas shall measure approximately 8m across, and each side of the octagon shall have a length of approximately 3.3m. Between the outer line of the Competition area and the boundary line of the Contest area is the Safety Area. The Contest Area and the Safety Area shall be of different, contrasting colors.

### 2. Indication of Positions

- 2.1. The outer border of the Contest Area shall be called the Boundary Line and the outer border of the Competition Area shall be called the Outer Line.
- 2.2. The front outer line adjacent to the Recorder's Desk shall be called Outer Line #1, and Clockwise from Outer Line #1, the other lines shall be called Outer Lines #2, #3, and #4. The Boundary Line adjacent to the Outer Line #1 shall be called Boundary Line #1 and clockwise from Boundary Line #1, the other lines shall be called Boundary Lines #2, #3, and #4.
  - 2.2.1. In the case of Octagonal Shape Contest Area, The Boundary Line adjacent to the Outer Line #1 shall be called Boundary Line #1 and clockwise from Boundary Line #1, the other lines shall be called Boundary Lines #2, #3, #4, #5, #6, #7, and #8.

2.3. Positions of the Referee and Contestants at the beginning of the match:

- 2.3.1. The position of the contestants shall be at the two opposing points, 1m from the center point of the Contest Area parallel to Outer Line #1. The Referee shall be positioned at a point 1.5m from the center of the Contest Area toward Outer Line #3.

2.4. Positions of the Judges (Octagonal System):

- 2.4.1. The position of the 1st Judge shall be located at a point a minimum of 2.0m outward from the corner of Boundary Line #2. The position of the 2nd Judge shall be located at a point a minimum of 2.0m outward from the center of Boundary Line #5. The position of the 3rd Judge shall be located at a point a minimum of 2.0m outward from the corner of Boundary Line #8.
- 2.4.2. In case only two Judges are used, the position of the 1st Judge shall be located at a point a minimum of 2.0m outward from the center of the Boundary Line #2 and the 2nd Judge shall be located at a point 0.5m outward from the center of the Boundary Line #5.
- 2.4.3. The positions of Judges may be altered to facilitate media, broadcasting and/or sports presentation, or to accommodate the venue.

2.5. Position of the Recorder and IVR (Instant Video Review):

- 2.5.1. The position of the Recorder and IVR shall be located at a point 2m back from Outer Line #1. The position of Recorder may be altered to accommodate the environment of the venue and requirements from media broadcasting and/or sports presentation.

2.6. Positions of the Coaches:

- 2.6.1. The position of the Coaches shall be marked at a point 2m or more from the center point of the Outer Line of each contestant's side. The position of the coaches may be altered to accommodate the environment of the venue and requirements from media broadcasting and/or sports presentation.

2.7. Position of the Inspection Desk:

- 2.7.1. The position of the Inspection Desk shall be near the entrance of the Contest Area for inspection of the contestants' protective equipment.



---

(Explanation #1)

Elastic mat: The degree of elasticity and slipperiness of the mat must be approved by USATKD before the competition. USATKD-sanctioned tournaments shall not be held on unmatted concrete or hardwood floors.

(Explanation #2)

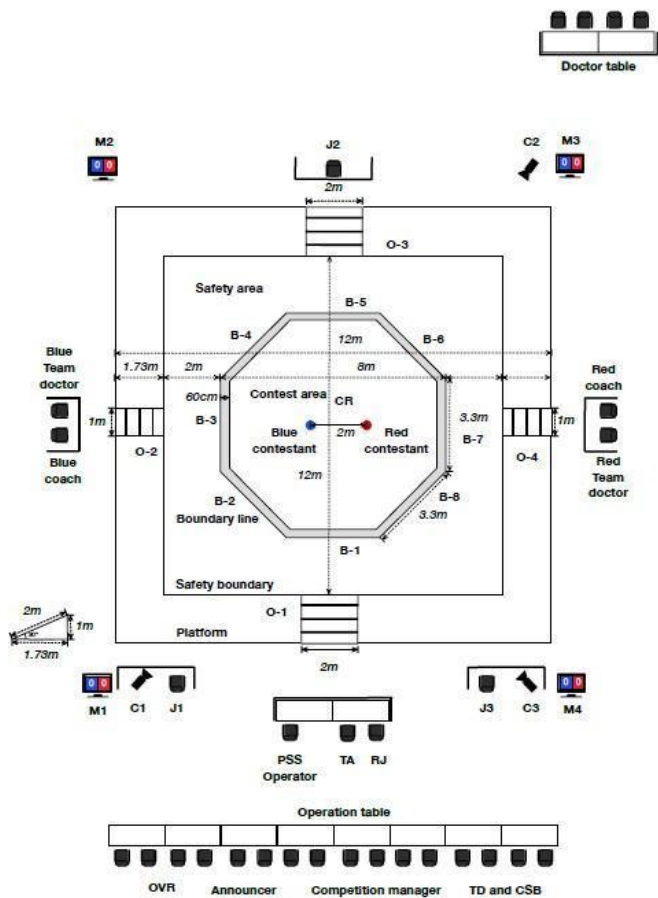
Color: The mat's surface must not be overly reflective, or in any way tiring to the contestants' or spectators' vision. The color scheme should also be appropriately matched to the competitors' equipment, uniform and the competition surface.

(Explanation #3)

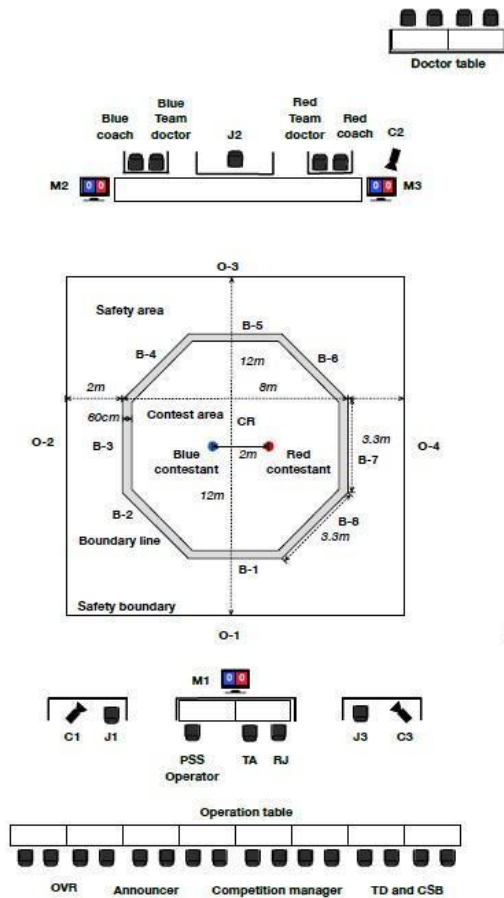
Inspection Desk: At the Inspection Desk, the inspector verifies that all the materials worn by the contestant are approved by the WT/USATKD and fit the contestant properly. If any protective equipment is found to be inappropriate or unsafe, the contestant will be asked to change it.

---

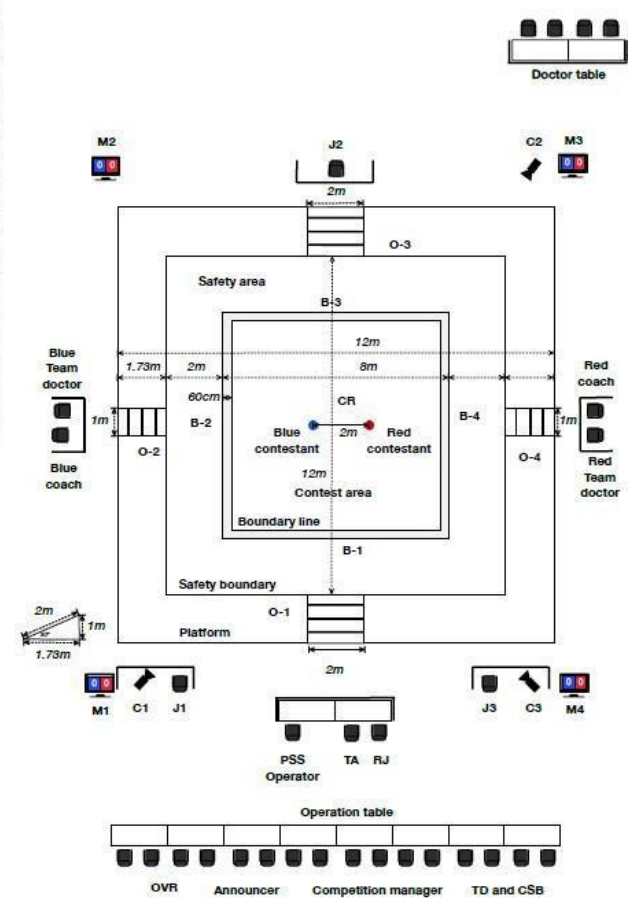
### Octagonal mat on platform



### Octagonal mat on floor



### Square mat on platform



#### Glossary:

TD: Technical Delegate

CR: Center Referee

C1 - C2 - C3 : Camera 1, 2 and 3

M1 - M2 - M3 : Scoreboard monitor 1, 2, 3 and 4

CSB: Competition Supervisory Board

J1 - J2 - J3 : Corner judge 1, 2 and 3

O-1: Outer line 1

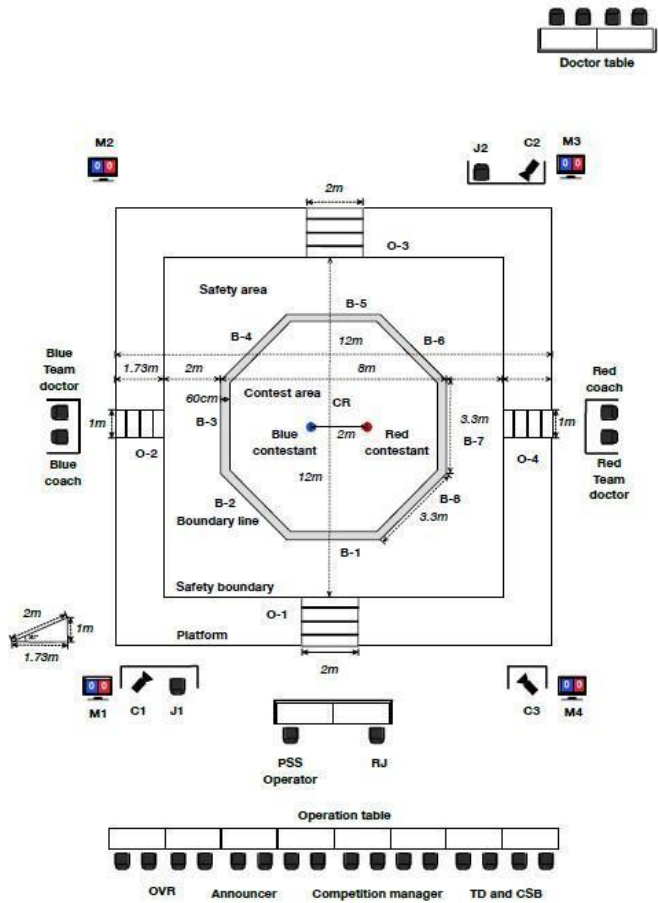
TA: Technical Assistant

OVR: On Venue Result

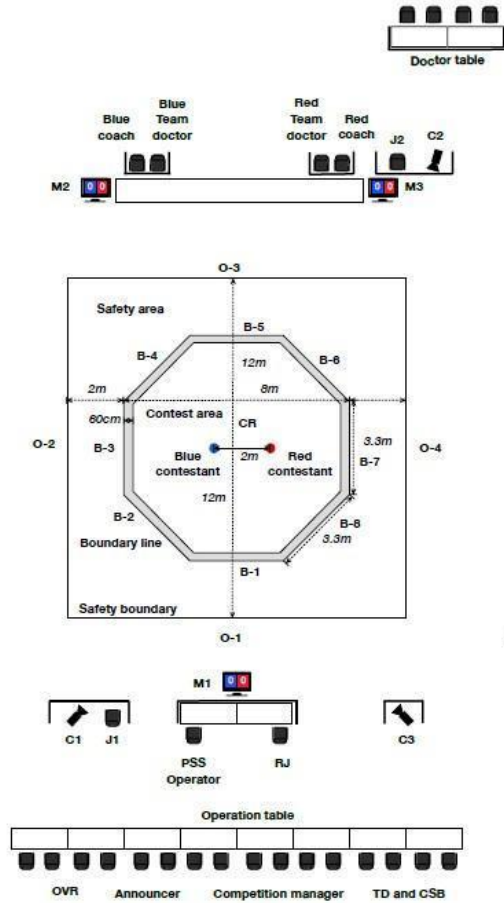
RJ: Review Jury

B-1: Boundary line 1

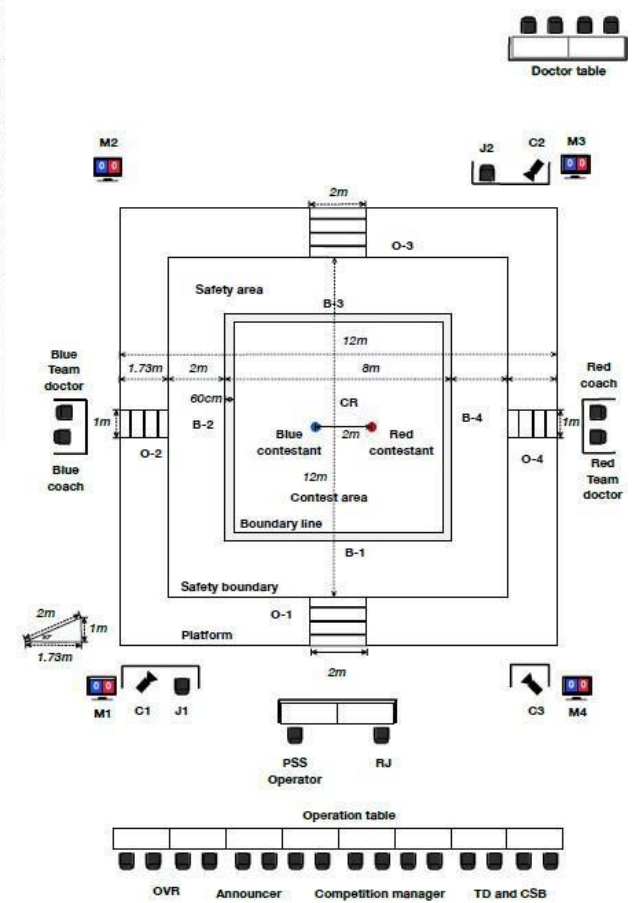
### Octagonal mat on platform



### Octagonal mat on floor



### Square mat on platform



#### Glossary:

TD: Technical Delegate

CR: Center Referee

C1 - C2 - C3: Camera 1, 2 and 3

M1 - M2 - M3: Scoreboard monitor 1, 2, 3 and 4

CSB: Competition Supervisory Board

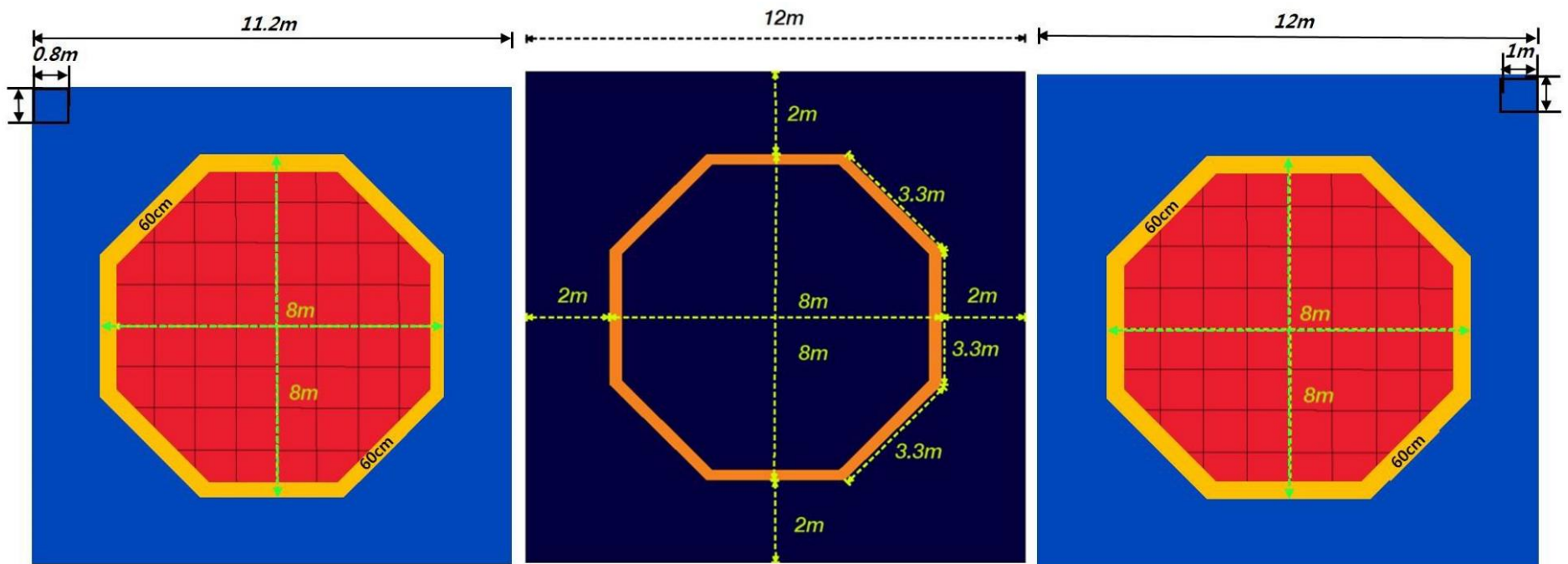
J1 - J2 - J3: Corner judge 1, 2 and 3

O-1: Outer line 1

OVR: On Venue Result

RJ: Review Jury

B-1: Boundary line 1



Octagonal mat  
(puzzle 0.8m)

Octagonal roll mat

Octagonal mat (puzzle 1.0m)

## Article 4. Contestants

### 3. Qualification of USATKD Contestants

- 3.1. Citizen or resident of the United States
- 3.2. World Class Black belt athletes MUST be U.S. citizens. World Class ages are Cadet 12-14, Junior 15-17, Senior 17+. Cadet Grassroot Division does not require proof of citizenship (See chart below.)
- 3.3. Age limit: The age limit is based on the year, not on the date.
- 3.4. Currently registered USATKD athlete member
- 3.5. All black belt contestants must submit a copy of their Dan/Poom Certificate, current USATKD identification card, and birth certificate at the time of registration with the Tournament Organizing Committee.
- 3.6. To be eligible for Senior competition, contestants must be at least 17 years old in the year the pertinent tournament is held. Contestants must be between 15-17 years old for Junior Taekwondo Championships, and 12-14 years old for Cadet Championships. (Ages for Youth Olympic Games qualification might be different depending on the decision of the IOC.)
- 3.7. All contestants participating in a tournament are required to observe the Code of Conduct of USATKD and the rules of the tournament. Violators are subject to sanction.

### 4. Proof of citizenship:

PROOF OF CITIZENSHIP	AGE / BELT DIVISION	DOCUMENTATION REQUIRED
<ul style="list-style-type: none"> <li>• U.S. Passport</li> <li>• U.S. Passport Card</li> <li>• U.S. Birth Certificate</li> </ul>	World Class Black Belt Divisions (Cadet, Junior, Senior)	Proof of Citizenship

### 5. Contestant Uniform and Competition Equipment

- 5.1. At USATKD-sanctioned competitions, contestants' uniforms and all competition equipment, such as, but not limited to mats, PSS, IVR and protective equipment must be those approved by USATKD.

### 6. Official Uniform (Dobok)

- 6.1. All contestants must wear a white Taekwondo V-neck USATKD/WT uniform (dobok) in good condition. Black belts must wear black-collared uniforms. Poom rank (15 and under black belts) may wear poom uniforms with black and red collars. Color belts must wear white-collared uniforms; color belts cannot wear black-collared uniforms.

6.1.1. Optional: Athletes may wear black pants.

6.2. No tape will be allowed on any part of the uniform.

## 7. Protective Equipment

7.1. Contestants shall wear an approved trunk protector, head protector, groin guard (mandatory for both male and female competitors), gloves (see below), forearm protector, shin protectors, instep protectors or sensing socks (if using an electronic Protector and Scoring System) and a mouth guard before entering the Contest Area. The head protector must be firmly tucked under the left arm when entering the Contest Area and shall be put on the head after bowing to the opponent before the start of the contest.

7.2. The groin, forearm, and shin protectors must be worn inside the Taekwondo uniform. Wearing of any other items on the head other than head protector shall not be permitted, except for religious reasons. A previously approved religious item shall be worn beneath the head protector and inside the dobok and shall not cause harm or obstruct the opposing contestant.

## 8. Personal Requirements

8.1. All competitors shall keep their nails cut short and shall not wear any articles that may injure or endanger an opponent. Any competitor whose hair, in the opinion of the referee, is so long as to risk causing inconvenience to other competitors or interfere with the PSS system, shall be required to tie it back securely. Long hair must be tucked inside the headgear.

## 9. Metallic Articles

9.1. Contestants are not allowed to wear any kind of metallic articles or hard objects, such as rings, eyeglasses (including prescribed safety or sport eyeglasses or eye goggles), necklaces, watches, bracelets, earrings, hair clips, etc.

## 10. Personal Hygiene

10.1. All competitors must maintain the highest standard of personal hygiene, keep their nails cut short, and groom their hair neatly.

## 11. Taping

11.1. Taping on the foot and hand shall be allowed for the protection of athletes. For an injury, the minimum amount of tape that will protect the area should be used. Taping of feet and hands will be strictly checked during the athlete inspection process; if there is a question, the inspector or referee should have the wrapping examined and approved by the Tournament Medical Staff. Under no circumstances will a hard splint or cast—no matter how small—be allowed.

11.2. Any taping must be removed during general weigh-in to ensure that there is no open wound, cut, or bleeding.

11.3. There will be no taping beneath the sensor socks unless it is approved by the USATKD Medical Staff because of injury.

12. Any violators of this article will be required to correct the violation within one minute, or face disqualification.

### 13. Medical Control

13.1. At Taekwondo events promoted or sanctioned by USATKD, any use or administration of drugs or chemical substances described in the U.S. Olympic Committee anti-doping by-laws is prohibited. International Olympic Committee doping by-laws shall be applied to Taekwondo competition in the Olympic Games and other multi-sport Games.

13.2. USATKD may carry out any doping testing deemed necessary to ascertain if a contestant has committed a breach of this rule. Any winner who refuses to undergo this testing or who proves to have committed such a breach shall be removed from the final standings, and the record shall be transferred to the contestant next in line in the competition standings.

13.3. The organizing committee shall be responsible for making arrangements to carry out medical testing.

---

#### Explanation: USA Taekwondo Equipment Standards

**Belt Colors:** Only WT/USATKD belt colors will be allowed—black, poom (black and red), red, blue, green, yellow). Belts with stripes will be allowed.

**Gloves:** World Class Cadet Black Belts (12-14), Junior Black Belts (15-17) and Senior Black Belts are required to wear USATKD/WT-approved Taekwondo gloves. Gloves may be red, blue, or white. If the competitor chooses to wear red or blue gloves, they must correspond with the color of the chest protector. Gloves must be open finger style.

For all other divisions, gloves are optional and must comply with the above rule. Cloth gloves or hand covers are not allowed.

**Properly fitting head protector:** Unless electronic PSS head protectors are used, all participants must provide their head protector with no markings other than corporate logos. World Class Cadet Black Belts (12-14), Junior Black Belts (15-17) and Senior Black Belts are required to wear red or blue head protectors, corresponding with the color of the chest protector. White head protectors may be used. Cracks or defects in the headgear will not be allowed.

**Mouth guard:** All athletes are required to use a mouth guard, with a minimum thickness of 3mm. Mouth guards may be any color except solid red. Effective 2024 USATKD National Championships, mouth guards may be clear or white only. Use of a mouth guard may be exempted upon submission of a medical doctor's statement that its use might cause harm to the contestant. Athletes with dental braces must wear special mouthguards for braces that cover both upper and lower teeth.

**Groin guard:** All athletes (male and female) are required to wear a groin guard, which must be inside the pants during competition.

**Properly fitting chest protector:** Where an electronic Protection and Scoring System (PSS) is being used, all athletes will be provided a red and blue full-body WT trunk protector. Both players must use the same size PSS.

When an electronic Protection and Scoring Systems (PSS) is not being used, all athletes must provide their own red and blue full-body WT-approved trunk protector. The trunk protector must cover the entire valid scoring area, from the armpit to the hip bone. All trunk protectors must wrap around and cover the back of the athlete in the valid scoring area.

**Shin and instep protection:** Shin and instep protectors are required, and they must be made of foam, cloth or vinyl. PSS sensor socks with built-in instep padding are also allowed. The instep protector may be red, blue, or white, but must correspond with the color of the chest protector, if choosing to wear blue or red protectors; any color shin protector is allowed. Cloth or foam knee pads are permitted.

**Forearm guard:** Forearm guards are required and they must be made of foam, cloth or vinyl. Any color forearm guard will be allowed. Cloth or foam elbow pads are permitted.

**Please Note:** *USA Taekwondo reserves the right to disallow any uniform or equipment if it is found to be unsafe, offensive or degrading.*

---



## Article 5. Weight Divisions

1. Weight divisions are divided into men's and women's divisions.
2. Weight divisions for USATKD Seniors are classified as follows:

	<b>Men's Division</b>	<b>Women's Division</b>
<b>Fin</b>	Not exceeding 54 kg (Not exceeding 119.0 lbs)	Not exceeding 46 kg (Not exceeding 101.4 lbs)
<b>Fly</b>	Over 54 kg & not exceeding 58 kg (119.1 lbs – 127.9 lbs)	Over 46 kg & not exceeding 49 kg (101.5 lbs – 108.0 lbs)
<b>Bantam</b>	Over 58 kg & not exceeding 63 kg (128.0 lbs – 138.9 lbs)	Over 49 kg & not exceeding 53 kg (108.1 lbs – 116.9 lbs)
<b>Feather</b>	Over 63 kg & not exceeding 68 kg (139.0 lbs – 149.9 lbs)	Over 53 kg & not exceeding 57 kg (117.0 lbs – 125.7 lbs)
<b>Light</b>	Over 68 kg & not exceeding 74 kg (150.0 lbs – 163.1 lbs)	Over 57 kg & not exceeding 62 kg (125.8 lbs – 136.7 lbs)
<b>Welter</b>	Over 74 kg & not exceeding 80 kg (163.2 lbs – 176.4 lbs)	Over 62 kg & not exceeding 67 kg (136.8 lbs – 147.7 lbs)
<b>Middle</b>	Over 80 kg & not exceeding 87 kg (176.5 lbs – 191.8 lbs)	Over 67 kg & not exceeding 73 kg (147.8 lbs – 160.9 lbs)
<b>Heavy</b>	Over 87 kg (191.8 lbs and over)	Over 73 kg (161.0 lbs and over)

Note: Official USATKD weigh-in will be done in kilograms. Conversions to pounds in this chart are approximate, and for convenience only.

3. Weight divisions for the Olympic Games are classified as follows:

<b>Men's Division</b>		<b>Women's Division</b>	
Under 58	Not exceeding 58 kg	Under 49	Not exceeding 49 kg
Under 68	Over 58 kg & not exceeding 68 kg	Under 57	Over 49 kg & not exceeding 57 kg
Under 80	Over 68 kg & not exceeding 80 kg	Under 67	Over 57 kg & not exceeding 67 kg
Over 80	Over 80 kg	Over 67	Over 67 kg

4. Weight divisions for USATKD Juniors are classified as follows:

	<b>Junior Men's Division</b>	<b>Junior Women's Division</b>
<b>Fin</b>	Not exceeding 45 kg	Not exceeding 42 kg
<b>Fly</b>	Over 45 kg not exceeding 48 kg	Over 42 kg not exceeding 44 kg
<b>Bantam</b>	Over 48 kg not exceeding 51 kg	Over 44 kg not exceeding 46 kg
<b>Feather</b>	Over 51 kg not exceeding 55 kg	Over 46 kg not exceeding 49 kg
<b>Light</b>	Over 55 kg not exceeding 59 kg	Over 49 kg not exceeding 52 kg
<b>Welter</b>	Over 59 kg not exceeding 63 kg	Over 52 kg not exceeding 55 kg
<b>Light Middle</b>	Over 63 kg not exceeding 68 kg	Over 55 kg not exceeding 59 kg
<b>Middle</b>	Over 68 kg not exceeding 73 kg	Over 59 kg not exceeding 63 kg
<b>Light Heavy</b>	Over 73 kg not exceeding 78 kg	Over 63 kg not exceeding 68 kg
<b>Heavy</b>	Over 78 kg	Over 68 kg

5. Weight divisions for USATKD Cadets are classified as follows:

<b>Men's Division</b>		<b>Women's Division</b>	
Under 33	Not exceeding 33 kg	Under 29	Not exceeding 29 kg
Under 37	Over 33 kg & not exceeding 37 kg	Under 33	Over 29 kg & not exceeding 33 kg
Under 41	Over 37 kg & not exceeding 41 kg	Under 37	Over 33 kg & not exceeding 37 kg
Under 45	Over 41 kg & not exceeding 45 kg	Under 41	Over 37 kg & not exceeding 41 kg
Under 49	Over 45 kg & not exceeding 49 kg	Under 44	Over 41 kg & not exceeding 44 kg
Under 53	Over 49 kg & not exceeding 53 kg	Under 47	Over 44 kg & not exceeding 47 kg
Under 57	Over 53 kg & not exceeding 57 kg	Under 51	Over 47 kg & not exceeding 51 kg
Under 61	Over 57 kg & not exceeding 61 kg	Under 55	Over 51 kg & not exceeding 55 kg
Under 65	Over 61 kg & not exceeding 65 kg	Under 59	Over 55 kg & not exceeding 59 kg
Over 65	Over 65 kg	Over 59	Over 59 kg

6. Cadet height categories are classified as follows:

<b>Men's Division</b>				<b>Women's Division</b>			
Contestants' Height		MAX Weight	MIN Weight	Contestants' Height		MAX Weight	MIN Weight
Under 148cm	Not exceeding 148cm	45kg	33kg	Under 144cm	Not exceeding 144cm	43kg	32kg
Under 152cm	Over 148cm & not exceeding 152cm	48kg	35kg	Under 148cm	Over 144cm & not exceeding 148cm	45kg	33kg
Under 156cm	Over 152cm & not exceeding 156cm	51kg	37kg	Under 152cm	Over 148cm & not exceeding 152cm	48kg	35kg
Under 160cm	Over 156cm & not exceeding 160cm	53kg	39kg	Under 156cm	Over 152cm & not exceeding 156cm	51kg	37kg
Under 164cm	Over 160cm & not exceeding 164cm	56kg	41kg	Under 160cm	Over 156cm & not exceeding 160cm	53kg	39kg
Under 168cm	Over 164cm & not exceeding 168cm	59kg	43kg	Under 164cm	Over 160cm & not exceeding 164cm	56kg	41kg
Under 172cm	Over 168cm & not exceeding 172cm	61kg	45kg	Under 168cm	Over 164cm & not exceeding 168cm	59kg	43kg
Under 176cm	Over 172cm & not exceeding 176cm	64kg	47kg	Under 172cm	Over 168cm & not exceeding 172cm	61kg	45kg
Under 180cm	Over 176cm & not exceeding 180cm	67kg	49kg	Under 176cm	Over 172cm & not exceeding 176cm	64kg	47kg
Over 180cm	Over 180cm	80kg	52kg	Over 176cm	Over 176cm	75kg	50kg

7. Weight divisions for the Youth Divisions are classified as follows:

<b>Men's Division</b>		<b>Women's Division</b>	
Under 48	Not exceeding 48 kg	Under 44	Not exceeding 44 kg
Under 55	Over 48 kg & not exceeding 55 kg	Under 49	Over 44 kg & not exceeding 49 kg
Under 63	Over 55 kg & not exceeding 63 kg	Under 55	Over 49 kg & not exceeding 55 kg
Under 73	Over 63 kg & not exceeding 73 kg	Under 63	Over 55 kg & not exceeding 63 kg
Over 73	Over 73 kg	Over 63	Over 63 kg

8. Weight divisions for the Tiger Divisions (8-9 yrs) are classified as follows:

Men's Division		Women's Division	
Under 21kg	Not exceeding 21kg (46lbs)	Under 21kg	Not exceeding 21kg (46lbs)
Under 25kg	Over 21kg (46lbs) & not exceeding 25kg (55lbs)	Under 25kg	Over 21kg (46lbs) & not exceeding 25kg (55lbs)
Under 30kg	Over 25kg (55lbs) & not exceeding 30kg (66lbs)	Under 30kg	Over 25kg (55lbs) & not exceeding 30kg (66lbs)
Over 30kg	Over 30kg (66lbs)	Over 30kg	Over 30kg (66lbs)

Note: Official weigh-in will be done in kilograms. Conversions to pounds in this chart are approximate, and for convenience only.

9. Weight divisions for the Dragon Divisions (6-7 yrs) are classified as follows:

Men's Division		Women's Division	
Under 19kg	Not exceeding 19kg (42lbs)	Under 19kg	Not exceeding 19kg (42lbs)
Under 23kg	Over 19kg (42lbs) & not exceeding 23kg (51lbs)	Under 23kg	Over 19kg (42lbs) & not exceeding 23kg (51lbs)
Under 27kg	Over 23kg (51lbs) & not exceeding 27kg (59lbs)	Under 27kg	Over 23kg (51lbs) & not exceeding 27kg (59lbs)
Over 27kg	Over 27kg (59lbs)	Over 27kg	Over 27kg (59lbs)

Note: Official weigh-in will be done in kilograms. Conversions to pounds in this chart are approximate, and for convenience only.

10. Team Weight ranges are classified as follows.

Division	Male Team	Female Team	Mixed Gender Team
<b>Maximum number of Athletes</b>	4	4	(Maximum 2 male & 2 female)
<b>Total Weight Range</b>	300kg or less	260kg or less	2 female athletes: 135kg or less
			2 male athletes: 160kg or less

\* Substitute athlete(s) shall participate in the weigh-in.

\*\* If the existing athlete(s) is replaced by substitute athlete(s), the total weight of four athletes including the substitute athlete(s), excluding the replaced existing athlete(s), shall be recalculated and applied.

11. Belt Divisions are as follows: Yellow, Green, Blue, Red, Black.

---

Explanation:

**Not exceeding:** The weight limit is defined by the criterion of one decimal place away from the stated limit. For example, “not exceeding 50 kg” goes up to 50.0 kg, with 50.1 kg being over the limit, resulting in disqualification.

**Over:** Over 50.00 kg mark occurs at the 50.1 kg reading; 50.0 kg and below is regarded as insufficient, resulting in disqualification.

---

## Article 6. Classification and Methods of Competition

1. Competitions are divided as follows:
  - 1.1. Individual competition
    - 1.1.1. Individual competition shall normally be between contestants in the same weight class. When necessary, adjoining weight classes may be combined to create a single classification. No contestant can participate in more than one weight category in one event.
2. Systems of competition are divided as follows:
  - 2.1. Single elimination tournament
  - 2.2. Round robin
  - 2.3. Double elimination tournament
3. USATKD-Sanctioned Competitions
  - 3.1. All competition shall be divided into male and female divisions. Non-Black Belt Competition may be subdivided by weight, belt rank, or age with further subdivisions of advanced, intermediate, and beginners.

---

Explanation:

**Consolidated weight divisions:** This consolidation method shall follow Olympic weight divisions.

Interpretation:

In the tournament system, competition is founded on an individual basis. However, the team standings can also be determined by the sum of the individual standings according to the overall scoring method.

---

## **Article 7. Duration of Contest**

1. Duration of Contest is classified as follows.
  - 1.1. The duration of the contest shall be three rounds of two minutes each, with a one-minute rest period between rounds. In case of a tie score after the completion of the 3rd round, a 4th round of one minute will be conducted as the Golden round, after a one-minute rest period following the 3rd round.
  - 1.2. In the best of three (3) system, the duration of the contest shall be three rounds of two minutes each with a one-minute rest period between rounds. However, a 4th round of one minute will not be conducted as the Golden round. In case of a tie score for the corresponding round, the round winner shall be decided by Article 15.
2. USATKD, at its discretion, may modify the number of rounds, round duration, and rest periods for specific competitions; for example, 1-minute x 3 rounds, 1 minute 30 seconds x 3 rounds, 2 minutes x 2 rounds, or 5 minutes x 1 round (with one time out of 30 seconds to each competitor).

## **Article 8. Drawing of Lots**

1. The date and time of the drawing of lots shall be set forth in the outline of the championships. At the end of the designated registration date, the Organizing Committee shall publicly announce the list of registered contestants in each weight category. Participants are responsible for confirming their entries before the drawing of lots.
2. The drawing of lots may be conducted by random computerized drawing or by random manual drawing. The method and order of drawing shall be determined by the Organizing Committee.
3. A certain number of contestants may be seeded based on USATKD Ranking. The number of contestants seeded shall be set forth in the outline of the championships.



## **Article 9. Weigh-In**

1. A competitor's weight shall be measured on the day prior to the competition. The weigh-in hours may be extended or shortened, if necessary, with prior approval by USATKD.
2. A competitor's weight may be measured only twice. If a contestant does not qualify the first time, one more official weigh-in is granted within the time limit. So as not to be disqualified during official weigh-in, scales identical to the official one shall be provided at the contestants' place of accommodation or at the arena for pre-weigh-in.
3. During the weigh-in, the contestant is required to show an ID based on the following:
  - 3.1. 12 years and older: Passport, Drivers License, Birth Certificate, Social Security Card, GAL, or School ID
  - 3.2. 11 years and younger: Passport, Drivers License, Birth Certificate, Social Security Card, GAL, School ID, School Report Card, or School Portal
4. For contestants 17 years old and under (male and female, color belts and black belts), weigh in shall be done in athletic clothing. Under NO circumstances may a contestant weigh-in in underwear, or in the nude, in the United States. There is a weigh-in allowance of 0.2 kilograms to compensate for this requirement.
5. For contestants 18 years old and older, weigh in shall be done in athletic clothing. However, if a contestant wishes, weigh-in may be done in underpants for male and underpants and bra for female contestants. Under NO circumstances may a contestant weigh-in in the nude in the United States. There is a weigh-in allowance of 0.1 kilograms to compensate for this requirement.
6. Any irregular action by the competitor, coach or parent during the weigh-in may result in disqualification from tournament participation.
7. Random weigh-Ins on the day of the competition
  - 7.1. At the discretion of the Events Director and Tournament Organizing Committee, random weigh-in procedures may be implemented for certain USATKD events and will be announced prior to the competition in the event's information package.
  - 7.2. The random weigh-in will take place at the venue on the morning of the competition and must be completed at least 30 minutes before the start of competition each day. All competitors who pass general weigh-in must be present for random weigh-in a maximum of two (2) hours before the start of the competition; should a competitor fail to appear for the random weigh-in, he/she will be disqualified. The rate of selection for the random weigh-in (typically, 5% of all the day's competitors) will be announced in the information package for the event.

- 7.3. A maximum weight gain of 5% over the weight category is permitted. A no show, or a competitor who is over the 5% limit will be disqualified. Only one weigh-in attempt will be allowed for the random weigh-in.
- 

**Explanation:**

Prior to the competition: Contestants listed to compete on a scheduled day will be weighed in on the day before. The time for weigh-in will be decided by the Organizing Committee and communicated to the participants in the event information packet.

Separate weigh-in for males and females: Male and female contestants will have separate sites for weigh-ins. The gender of weigh-in officials shall be the same as that of the contestants.

Disqualification during official weigh-in: If a competitor is disqualified at the official weigh-in, the competitor will not receive a participation point. If a contestant attempts to cheat the process of weigh-in, the contestant shall be disqualified by decision of the event Referee Chairman in consultation with the weigh-in official.

Scales: The practice scale(s) must be of the same type and calibration as that of the official scale and this must be verified prior to the competition by the Organizing Committee.

---

## Article 10. Procedure of the Contest

### 1. Call for Contestants

- 1.1. The name of the contestants shall be announced at the Athlete Calling Desk three times beginning thirty minutes prior to the scheduled start of the contest. If a contestant fails to report to the Desk following the third call, the contestant shall be disqualified, and this disqualification shall be announced.

### 2. Inspection of body, uniform and protective equipment

- 2.1. After being called, the contestants shall undergo inspection of body, uniform and protective equipment at the inspection desk by the inspectors assigned by the USATKD Referee Chairman or USATKD designee for that event. If the inspection desk is not used, the referee shall inspect the contestants at the court prior to the start of the contest.

### 3. Entering the Competition Area

- 3.1. After inspection, the contestant and one certified coach shall proceed to the Coach's Area. One accredited doctor or physiotherapist, if any, may also accompany the player.

### 4. Procedure before the beginning and after the end of the contest

- 4.1. Before the start of the contest, the center referee will command "Chung, Hong." Both contestants will enter the Contest Area with their head protectors firmly tucked under their left arms. When any contestant is not present or is present without being fully attired, including all protective equipment, uniform, etc., at the Coach's Area by the time the referee calls "Chung, Hong," he/she shall be regarded as withdrawn from the contest and the referee shall declare the opponent as the winner.
- 4.2. The contestants shall face each other and make a standing bow at the referee's command of "Char-yeot" (attention) and "Kyeong-rye" (bow). A standing bow shall be made from the natural standing posture of "Cha-ryeot" by bending the waist at an angle of more than 30 degrees with the head inclined to an angle of more than 45 degrees. After the bow, the contestants shall put on their head protectors.
- 4.3. The referee shall start the contest by commanding "Joon-bi" (ready), and "Shi-jak" (start).
- 4.4. The contest in each round shall begin with the declaration of "Shi-jak" (start) by the referee.
- 4.5. The contest in each round shall end with the declaration of "Keu-man" (stop) by the referee. Even if the referee has not declared "Keu-man," the contest shall be deemed to have ended when the match clock expired. However, "Gam-jeom" can be given, for certain actions, and registered in score even after expiration of the match clock.

4.6. The referee may pause a contest by declaring “Kal-yeo” (break) and resume the contest by the command of “Kye-sok” (continue). When the referee declares “Kal-yeo” the recorder should immediately stop the match time. When the referee declares “Kye-sok,” the recorder should immediately restart the match time.

4.7. At the end of the last round, the referee shall declare the winner by raising his/her hand to the winner’s side, saying “Chung Seung” (blue winner) or “Hong Seung” (red winner). In the best of three (3) system, the referee shall declare the winner of the respective round.

4.8. Retirement of the contestants.

## 5. Contest Procedure in Team Competition

5.1. Both teams shall stand facing each other in line in submitted team order towards the 1st Boundary Line from the Contestants’ Marks.

5.2. Procedure before the beginning and after the end of the contest shall be conducted as in Item 4 of this Article.

5.3. Both teams shall leave the Contest Area and stand by at the designated area for each contestant’s match.

5.4. Both teams shall line up in the Contest Area immediately after the end of the final match facing each other.

5.5. The referee shall declare the winning team by raising his/her own hand to the winning team’s side.

---

### Explanation:

Accredited doctors: When team officials register for the event, copies of relevant licenses of the doctor or physiotherapist (in English) shall be attached. After verification, credentials shall be issued to them. Only medical staff with proper credentials will be allowed to proceed to the Competition Area with the coach and player.

### Guideline for Officiating

When using PSS, the referee shall check if the PSS system and sensing socks worn by both athletes are properly working by having the competitors each perform a single test kick.

---

## **Article 11. Permitted Techniques and Areas**

### 1. Permitted techniques

- 1.1. Fist technique: A straight punching technique using the knuckle part of a tightly clenched fist
- 1.2. Foot technique: Delivering techniques using any part of the foot below the ankle bone

### 2. Permitted areas

- 2.1. Trunk: Attack by fist and foot techniques on the areas covered by the trunk protector are permitted. However, such attacks shall not be made on the part of the spine.
- 2.2. Head: The area above the collar bone. Only foot techniques are permitted.

## Article 12. Valid Points

1. Scoring Areas:
  - 1.1. Trunk: The blue or red colored area of the trunk protector
  - 1.2. Head: The entire head above the bottom line of the head protector
2. Criteria for valid point(s):
  - 2.1. Point(s) shall be awarded when a permitted technique is delivered to the scoring areas of the trunk with a proper level of impact.
  - 2.2. Point(s) shall be awarded when a permitted technique is delivered to the scoring areas of the head.
  - 2.3. If PSS is used, determination of the validity of the technique, level of impact, and/or valid contact to the scoring area shall be made by the electronic scoring system, except for fist techniques, which will be scored by judges. These PSS determinations shall not be subject to Instant Video Replay except for head kicks.
  - 2.4. Based on guidance from the WT Technical Committee, the USATKD Organizing Committee will determine the required level of impact and sensitivity of the PSS, using different scales in consideration of weight category, gender, and age groups. In certain circumstances as deemed necessary, the Organizing Committee may recalibrate the valid level of impact.
3. The valid points are as follows:
  - 3.1. One (1) point for a valid punch to trunk protector
  - 3.2. Two (2) points for a valid kick to the trunk protector
  - 3.3. Four (4) points for a valid turning kick to the trunk protector
  - 3.4. Three (3) points for a valid kick to the head
  - 3.5. Five (5) points for a valid turning kick to the head
  - 3.6. One (1) point awarded for every Gam-jeom given to the opposing contestant
4. Match score:
  - 4.1. Match score shall be the sum of points of the three rounds.
  - 4.2. In the best of three (3) system, match score shall be the sum of the number of round won of the three rounds.

5. Invalidation of point(s): When a contestant records points following prohibited act(s)

5.1. If the prohibited act is followed by point(s), the referee shall declare the penalty for the prohibited act and invalidate the point(s).

---

Explanation:

Back kick (Dwichagi) is one type of turning kick technique, the head and shoulder rotation must occur to be considered as a back kick (Dwichagi) and awarded technical points.

When contestants kick opponent by the back kick (Dwichagi), without contestant's simultaneous rotation of head and shoulder, 'Back kick' (Dwichagi) will not be considered turning kick

---

## **Article 13. Scoring and Publication**

1. Scoring of valid point(s) shall be determined primarily using the electronic scoring system installed in Protector and Scoring Systems (PSS). Points awarded for punching techniques and additional points awarded for turning kicks shall be scored by judges using manual scoring devices. If PSS is not used, all scoring shall be determined by judges using manual scoring devices.
2. If PSS for the head is not used, scoring for all kicking techniques to the head shall be made by judges using the manual scoring devices.
3. The additional points given for a turning kick shall be invalidated if the turning kick was not scored as a valid point(s) by PSS.
4. Under a three (3) corner judge system, two or more judges shall be needed to confirm valid scoring.
5. Under a two (2) corner judge system, two judges shall be needed to confirm valid scoring.
6. If a referee perceives a contestant to be staggering, a strong impact to the head, kick to the eye(s), bleeding or knocked down by a kick to the head, and so begins counting, but the attack was not scored by the head PSS, or judges if head PSS isn't used, the referee or coach must request IVR to make the decision for awarding or not awarding points after the count.



---

## Guidelines for Officiating

**Protector and Scoring System:** Any PSS used at a USATKD-sanctioned event must meet all USATKD and WT requirements for the enhancement of competition and insurance of fair match outcome.

**Valid turning kicks:** In the case of using PSS, two (2) points will be validated by the PSS if the transmitter acknowledges the strike, even if the judges do not give the point for a “valid turn.” Judges must press to award the additional point for a “valid turn.” Judges should press for all valid turning kicks without reference to accuracy or power, and without looking at the monitor to determine if the point scored. In the event that the transmitter does not acknowledge the two-point body shot, no point shall be given, regardless of the judges’ scoring of a “valid turn.”

**Use of trunk protectors not equipped with electronic sensors:** All scoring must be done according to the judge’s own determination of accuracy and power, and there must be equipment available capable of immediately conveying the recorded point to the scoreboard.

**Valid turning kick to the head or body:** Where electronic headgear is not used, judges must first press to score the kick, and then award the additional point for the valid turn. Mechanism for doing this may vary, depending on the electronic scoring system in use. If electronic headgear is in use, judges only press to award the valid turn.

**Valid turn not scored:** In the situation where the referee sees a valid turn that is not scored by the corner judges, the referee may look to the corner judges to determine if the technical point should be added. With confirmation of at least two corner judges, the center referee will add the additional points.

**Use of head gear not equipped with electronic sensors:** All scoring must be done according to the judge’s own determination of accuracy, and there must be equipment available capable of immediately conveying the recorded point to the scoreboard.

---

## Article 14. Prohibited Acts and Penalties

1. Penalties shall be declared by the referee.
2. Prohibited acts described in Article 14 shall be penalized with “Gam-jeom” (deduction penalty).
3. A “Gam-jeom” penalty shall be counted as one (1) additional point for the opposing contestant.
4. Prohibited acts:
  - 4.1. The following acts shall be classified as prohibited acts, and “Gam-jeom” shall be declared:
    - 4.1.1. Crossing the Boundary Line
    - 4.1.2. Falling down
    - 4.1.3. Avoiding or delaying the match
    - 4.1.4. Grabbing or pushing the opponent
    - 4.1.5. The following are considered prohibited acts:
      - 4.1.5.1. Lifting the leg to block
      - 4.1.5.2. Kicking the opponent’s leg to impede the opponent’s kicking attack
      - 4.1.5.3. Kick was aiming to below the waist
      - 4.1.5.4. Lifting the leg above waist for kicking in the air for four (4) times or more
      - 4.1.5.5. Lifting a leg or kicking in the air for more than three (3) seconds to impede opponent’s potential attacking movements
    - 4.1.6. Kicking below the waist
    - 4.1.7. Attacking the opponent after "Kal-yeo"
    - 4.1.8. Hitting the opponent’s head with the hand
    - 4.1.9. Butting or attacking with the knee
    - 4.1.10. Attacking the fallen opponent
    - 4.1.11. Attacking trunk PSS with the side or bottom of the foot in clinch position
    - 4.1.12. Attacking back of head PSS in clinch position

4.1.13. Following misconducts of contestant or coach:

- 4.1.13.1. Not complying with the referee's command or decision
- 4.1.13.2. Inappropriate protesting of officials' decisions
- 4.1.13.3. Inappropriate attempts to disturb or influence the outcome of the match
- 4.1.13.4. Provoking or insulting the opposing contestant or coach
- 4.1.13.5. Unaccredited doctor/physicians or other team officials found to be seated in the doctor's position
- 4.1.13.6. Any other severe misconduct or unsportsmanlike conduct on the part of a contestant or coach
- 4.1.13.7. When a contestant commits a prohibited act followed by an Attack After Kalyeo (as per article 14.4.1.7) or any other unsportsmanlike behavior (as per article 14.4.1.13) the Referee may give a 2nd Gam-jeom for 'Attack after Kalyeo' or 'Misconduct'.

4.2. When a coach or contestant commits excessive misconduct or refuses to follow the referee's command, the referee may declare a sanction request by first declaring "Gam-jeom" penalty, and then raising a Yellow Card. In this case, the Extraordinary Sanctions Committee shall investigate the coach or contestant's behavior and determine whether a sanction is appropriate in accordance with Article 24.

- 5. If a contestant intentionally and repeatedly refuses to comply with the Competition Rules or the referee's orders, the referee may end the match by raising a Yellow Card and declaring the opposing contestant the winner.
- 6. If the referee at the Inspection desk or officials in the ring determine—in consultation with the PSS technician, if necessary—that a contestant or coach has attempted to manipulate the sensitivity of PSS sensor(s) and/or inappropriately alter the PSS to affect its performance, the contestant shall be disqualified.
- 7. When a contestant receives ten (10) "Gam-jeom" penalties, the referee shall declare the contestant loser by Referee's Punitive Declaration (PUN).
  - 7.1. In the best of three (3) system, when a contestant receives five (5) "Gam-jeom" in a round, the opponent will be declared the winner of that round
- 8. In Article 14.1.4, the "Gam-jeom" shall be counted in the total score of the three rounds.

(Interpretation)

Objectives in establishing the prohibited acts and penalties are as follows,

- 1) To secure the contestant's safety
- 2) To ensure fair competition
- 3) To encourage appropriate techniques

(Explanation #1)

"Gam-jeom"

i) Crossing the Boundary Line:

- a) A "Gam-jeom" shall be declared when one foot of a contestant crosses the Boundary Line. No "Gam-jeom" will be declared if a contestant crosses the boundary line as a result of a prohibited act by the opposing contestant.

ii) Falling down:

- a) "Gam-jeom" shall be declared for falling down. However, if a contestant falls down due to the opponent's prohibited acts "Gam-jeom" penalty shall not be given to the fallen contestant, while a penalty shall be given to the opponent. If both contestants fall as a result of incidental collision, or in case a contestant who received points with a valid turning kick falls down, no penalty shall be given.

iii) Avoiding or delaying the match:

- a) This act involves stalling with no intention of attacking. A contestant who continuously displays a non-engaging style shall be given a "Gam-jeom". If both contestants remain inactive after three (3) seconds, the center referee will signal the "Gong-gyeok" command. A "Gam-jeom" will be declared: On both contestants if there is no activity from them three (3) seconds after the command was given; or on the contestant who moved backwards from the original position three (3) seconds after the command was given.
- b) Turning the back and move away to avoid the opponent's attack should be punished as it expresses the lack of a spirit of fair play and may cause serious injury. The same penalty should also be given for evading the opponent's attack by bending below waist level or crouching.
- c) Retreating from the technical engagement only to avoid the opponent's attack and to run out the clock, "Gam-jeom" shall be given to the passive contestant.
- d) Pretending injury means exaggerating injury or indicating pain in a body part not subjected to a blow for the purpose of demonstrating the opponent's actions as a violation, and also exaggerating pain for the purpose of elapsing the match time. In this case, the referee shall give a "Gam-jeom" however the referee may request IVR for clarification before declaration of "Gam-jeom" for pretending injury.
- e) "Gam-jeom" shall also be given to the athlete who asks the referee to stop the contest in order to adjust the position/fit of protective equipment.

i) Grabbing or pushing the opponent:

- a) This includes grabbing any part of the opponent's body, uniform or protective equipment with the hands. It also includes the act of grabbing the foot or leg or hooking the leg with the forearm. For pushing, it is permitted as a quick impact and a contestant must disengage from the opponent after one push. The following acts shall be penalized.
  - Pushing the opponent with prolonged or continuous contact
  - Pushing the opponent out of the boundary line
  - Pushing the opponent in a way that prevents kicking motion or any normal execution of attacking movement

- ii) Lifting the leg or cut kick motion shall not be penalized only when it is followed by execution of punching or kicking technique in combination motion.
- iii) Attacking below the waist:
  - a) This action applies to an attack on any part below the waist. When an attack below the waist is caused by the recipient in the course of an exchange of techniques, no penalty will be given. This article also applies to strong kicking or stamping actions to any part of the thigh, knee or shin for the purpose of interfering with the opponent's technique.
- iv) Attacking the opponent after "Kal-yeo":
  - a) Attacking after Kal-yeo requires that the attack results in actual contact to the opponent's body.
  - b) If the attacking motion started before the Kal-yeo, the attack shall not be penalized.
  - c) In Instant Video Replay, the timing of Kal-yeo shall be defined as the moment that the referee's Kal-yeo hand signal was completed (with fully extended arm); and the start the attack shall be defined as the moment that the attacking foot is fully off the floor.
  - d) If an attack after Kal-yeo did not land on the opponent's body but appeared deliberate and malicious the referee may penalize the behavior with a "Gam-jeom"
- v) Hitting the opponent's head with the hand:
  - a) This article includes hitting the opponent's head with the hand (fist), wrist, arm, or elbow. However, unavoidable actions due to the opponent's carelessness such as excessively lowering the head or carelessly turning the body cannot be punished by this article.
- vi) Butting or attacking with the knee:
  - a) This article relates to an intentional butting or attacking with the knee when in close proximity to the opponent. However, contact with the knee that happens in the following situations cannot be punished by this article.
    - When the opponent rushes in abruptly at the moment a kick is being executed
    - Inadvertently, or as the result of a discrepancy in distance in attacking.
- vii) Attacking the fallen opponent:
  - a) This action is extremely dangerous due to the high probability of injury to the opponent. The danger arises from the following:
    - The fallen opponent is in an immediate defenseless state
    - The impact of any technique which strikes a fallen contestant will be greater due to the contestant's position. These types of aggressive actions toward a fallen opponent are not in accordance with the spirit of taekwondo and as such are not appropriate to taekwondo competition. In this regard, penalties should be given for intentionally attacking the fallen opponent regardless of the degree of impact

When misconduct is committed by a contestant or a coach during a rest period, past the five (5) seconds of the round conclusion, the referee can immediately declare the "Gam-jeom" and the "Gam-jeom" shall be recorded to the upcoming round. However, "Gam-jeom" shall be recorded to the previous round if the action happened within five (5) seconds of the round conclusion.

## **Article 15. Golden Points and Decision of Superiority**

1. In the event the winner cannot be decided after 3 rounds, a 4th round (golden round) will be conducted in one-minute rounds.
2. In case of a contest advancing to a golden round, all scores awarded during the first three (3) rounds shall be void.
3. The first contestant scores two (2) or more points or whose opponent receives two “Gam-jeoms” in the golden round shall be declared the winner.
4. In the event that neither contestant has scored two (2) points after the completion of the golden round, the winner shall be decided by superiority based the following criteria:
  - 4.1. The contestant who received a point by a punch in the golden round
  - 4.2. If neither of the contestants received a point by a punch or both contestants received a point by a punch each in the golden round, the contestant who achieved a higher number of hits registered by the PSS during the golden round.
  - 4.3. If number of hits registered by the PSS is tied, the contestant who won more rounds in first three rounds
  - 4.4. If number of round won is tied, the contestant who received less numbers of a “Gam-jeom” during all four rounds
  - 4.5. If the three above criteria are the same, the referee and judges shall determine superiority based on the content of the golden round. If the superiority decision is tied among the referee and judges, the referee shall decide the winner.
5. In the best of three (3) system, in case of tie score for corresponding round, the round winner shall be decided by superiority based on following criteria:
  - 5.1. Most points scored by turning or spinning kicks.
  - 5.2. If the technical score is the same, the contestant who has more points scored in the order of a higher value techniques as follows (Head, Trunk, Punch, Gam-Jeom).
  - 5.3. If the high value points are the same, the contestant who received a higher number of hits registered by the PSS.
  - 5.4. If the three above criteria are the same, the referee and judges shall determine superiority.
    - 5.4.1. In case of two (2) corner judges, winner shall be decided by referee and two (2) judges
    - 5.4.2. In case of three (3) corner judges, winner shall be decided by three (3) judges except referee

---

Explanation:

Decision of superiority by judges shall be based on the initiative shown during the golden round. Initiative is judged in the following order:

- Technical dominance of an opponent through aggressive match management
- The greater number of techniques executed.
- The use of the more advanced techniques both in difficulty and complexity
- Display of a better competition manner

Guidelines for Officiating:

Procedure for Superiority shall be as follows:

- When a round is to be decided by superiority, the referee shall declare “Woo-se-girok (Record Superiority)”.
- Upon the referee’s declaration, the judges declare the winner simultaneously after the Referee’s count of three (3) by using round winner hand signal facing the head table.
- In case of two (2) corner judges, the winner shall be decided by the referee and two (2) corner judges.
- In case of three (3) corner judges, the winner shall be decided by three (3) corner judges except the referee.
- The Review Jury shall record the final result and declare, to the Operator, the round winner.
- Upon declaration of winner, the referee shall declare the round or match winner

Explanation:

When head PSS is not in use, in the event that one athlete delivers a successful head kick right before the opponent’s body kick, but the later body kick was registered, the coach of the athlete who delivered the successful head kick may ask for video replay. If the Review Jury determines that the head kick was valid and made contact with the head earlier than the body kick, the referee shall invalidate the point(s) scored by the body kick, then award 3 or 5 points for the head kick and declare the one who delivered the head kick to be the winner.

---

## Article 16. Decisions

1. Win by Referee Stops Contest (RSC)
  2. Win by Final Score (PTF)
  3. Win by Point Gap (PTG)
  4. Win by Golden Points (GDP)
  5. Win by Superiority (SUP)
  6. Win by Withdrawal (WDR)
  7. Win by Disqualification (DSQ)
  8. Win by Referee's Punitive Declaration (PUN)
  9. Win by disqualification for unsportsmanlike behavior (DQB)
- 

### Explanation

**Referee Stops Contest:** The referee declares RSC in the following situations:

- If a contestant has been knocked down by an opponent's legitimate technique and cannot resume the contest by the count of "Yeo-dul;" or if the referee determines the contestant is not able to resume the competition regardless of the progress of counting
- If a contestant disregards the referee's command to continue the match three times
- If the referee recognizes the need to stop the match to protect a contestant's safety
- When the Medical Staff determines that the match should be stopped due to a contestant's injury

**Win by point gap:**

- When there is a 20-point difference between two athletes at the time of the completion of 2nd round and/or at any time during the 3rd round, the referee shall stop the contest and shall declare the winner by point gap. In a contest having only two rounds, point gap occurs upon completion of the 1st round or any time during the 2nd round.
- Point gap for corresponding round shall not be applied in semi-finals & finals in senior division by the outline of tournament.

**Win by withdrawal:** The winner is determined by withdrawal of the opponent:

- When a contestant withdraws from the match due to injury or other reasons
- When the coach throws a towel into the ring to signify forfeiture of the match



**Win by disqualification:** This is the result determined by the contestant's failure in weigh-in or when a contestant loses contestant status before the competition begins. The follow-up actions should be different in accordance with the reason of disqualification:

- In the event that athletes have not passed or did not show at weigh-in after draw: The result should be reflected on the draw sheet and the information should be provided to technical officials and all relevant persons. Referees will not be assigned for this match. The opponent of an athlete that did not pass or show up at weigh-in will not need to appear at the court to compete.
- In the event that an athlete passed weigh-in but did not appear at the Coach's Area: The assigned referee and opponent shall be waiting in their position until the referee declares the opponent a winner of the match. Detailed procedure is stipulated in Section 4.1 of Article 10.

**Win by the referee's punitive declaration:** The referee declares PUN in the following situations:

- If a contestant has accumulated ten (10) "Gam-jeoms"

**Win by disqualification for unsportsmanlike behavior:** This result shall be declared in the following situations:

- When a contestant or any member of his/her team is found to be manipulating the sensor(s) or scoring system of the PSS
- When a contestant cheats, or attempts to cheat, the process of weigh-in
- When a contestant is found violating USATKD/WT anti-doping rules
- When a contestant or coach commits serious infringing behavior described in Article 24.1.6 and 24.1.7.
- All results of a contestant who loses by DQB shall be removed, and any other contestants' results affected by the DQB shall be reallocated.

In the best of three (3) system, the decisions shall follow the procedure of Article 16;

- 16.1 Win by Referee Stops Contest (RSC)
  - 16.2 Win by Final Score (PTF)
  - 16.6 Win by Withdrawal (WDR)
  - 16.7 Win by Disqualification (DSQ)
  - 16.9 Win by Disqualification for unsportsmanlike behavior (DQB)
- 
- In case of Win by final score (PTF), match score shall be the sum of the number of rounds won of the three rounds.
  - In case of Win by point (PTG), in case of twelve (12) points difference between two athletes per round, the referee shall stop the contest and shall declare the winner by point gap for corresponding round. Point gap for corresponding round shall not be applied in semi-finals & finals in senior division by the outline of tournament.
-

## Article 17. Knock Down

1. A Knock Down shall be declared when a legitimate attack is delivered, and:
    - 1.1. When any part of the body other than the sole of the foot touches the floor due to the force of the opponent's scoring technique
    - 1.2. When a contestant is staggered and shows no intention or ability to continue as a result of the opponent's scoring technique
    - 1.3. When the referee judges that, in the interest of safety, the contest cannot continue as the result of a contestant being struck by a scoring technique.
- 

### Explanation

Knock down: This is the situation in which a contestant is knocked to the floor or is staggered or unable to respond adequately to the requirements of the match due to a legal scoring technique. Even in the absence of these indications, the referee may interpret as a knock down, the situation where, as the result of contact, it would be dangerous to continue or when there is any question about the safety of a contestant.

---

## Article 18. Procedure In the Event of a Knock Down

1. When a contestant is knocked down as the result of the opponent's legitimate attack, the referee shall take the following measures:
  - 1.1. The referee shall keep the attacker away from the downed contestant by declaration of "Kal-yeo" (break). The recorder shall stop the match clock following the referee's "Kal-yeo" (break) command.
  - 1.2. The referee shall first check the status of the downed contestant and count aloud from "Ha-nah" (one) up to "Yeol" (ten) at one-second intervals towards the downed contestant, making hand signals indicating the passage of time.
  - 1.3. In case the downed contestant stands up during the referee's count and expresses the will to continue the fight, the referee shall continue the count up to "Yeo-dul" (eight) for recovery of the contestant. The referee shall then determine if the contestant is recovered and, if so, continue the contest by declaration of "Kye-sok" (continue).
  - 1.4. When a contestant who has been knocked down cannot demonstrate the will to resume the contest by the count of "Yeo-dul" (eight), the referee shall announce the other contestant winner by RSC (Referee Stops Contest).
  - 1.5. In case both contestants are knocked down, the referee shall continue counting as long as one of the contestants has not sufficiently recovered.
  - 1.6. In case both contestants are knocked down and both contestants fail to recover by the count of "Yeol," the winner shall be decided by the match score before the occurrence of the knock down.
  - 1.7. When it is judged by the referee that a contestant is unable to continue, the referee may decide the winner either without counting or during the counting.
2. Procedure to be followed after the contest:
  - 2.1. Any contestant who is unable to continue the match as a result of a serious injury, regardless of the part of the body, will not be allowed to compete for the next 30 days without an approved medical examination by a medical doctor designated by USATKD, who must certify that the contestant is recovered and able to compete.
  - 2.2. Except for medical emergencies, any contestant with any serious injury must be evaluated by USATKD tournament medical staff for concussion immediately after the contest, using established medical protocols.

- 2.3. Any contestant who has been knocked out, or loses consciousness for any amount of time, whether briefly or for an extended period of time, or any athlete who does not clear all neurological tests administered by the USA Taekwondo Sports Medicine Personnel within 20 minutes of the head injury/contact will have a 50-day (Cadet and younger), 40-day (Junior), and 30-day (Senior and above) out rule applied and may not continue participation that day.
  - 2.3.1. Any contestant who has had a second concussion in the last 90 days will get a 90 days suspension and anyone who has a third concussion in the last 180 days will get a 180 days suspension.
- 2.4. The athlete is required to be evaluated by their own doctor at the conclusion of the suspension period and show written release from this physician before being allowed to return to participation. No activity (running, weightlifting, taekwondo, etc.) is allowed until all signs and symptoms occurring from the head injury have cleared completely. USA Taekwondo Sports Medicine Staff reserves the right to refuse to allow an athlete to participate or continue participation if they deem that a head injury has occurred. All athletes sustaining a hit to the head deemed substantial enough to be seen by the USA Taekwondo Sports Medicine Personnel must remain under observation for a minimum of 20 minutes.

---

Explanation:

**Keep the attacker away:** In this situation, the standing opponent shall return to his/her respective contestant's mark; however, if the downed contestant is on or near the opponent's contestant's mark, the opponent shall stand and wait at the boundary line in front of his/her coach's chair.

**In case the downed contestant stands up during the referee's count and desires to continue the fight:** The primary purpose of counting is to protect the contestant. Even if the contestant desires to continue the match before the count of eight is reached, the referee must count until "Yeo-dul" (eight) before resuming the match. Counting to "Yeo-dul" is compulsory and cannot be altered by the referee.

**Counting from one to ten:** Ha-nah, Duhl, Seht, Neht, Da-seot, Yeo-seot, Il-gop, Yeo-dul, A-hop, Yeol.

**The referee shall then determine if the contestant has recovered and, if so, restart the contest by the declaration of "Kye-sok":** The referee must ascertain the ability of the contestant to continue while he/she counts until eight. Final confirmation of the contestant's condition after the count of eight is only procedural and the referee must not needlessly pass time before resuming the contest.

**If a player cannot continue:** When a contestant who has been knocked down cannot express the will to resume by the count of "Yeo-dul," the referee shall announce the other contestant winner by RSC. after counting to "Yeol."

The contestant expresses the will to continue the match by gesturing several times in a fighting position with the clenched fists. If the contestant cannot display this gesture by the count of "Yeo-dul," the referee must declare the other contestant winner after first counting "A-hop" and "Yeol". Expressing the will to continue after the count of "Yeo-dul" cannot be considered valid. Even if the contestant expresses the will to resume by the count of "Yeo-dul," the referee can continue counting and may declare the contest over if he/she determines the contestant is incapable of resuming the match.

**When it is judged by the referee that a contestant is unable to continue:** When a contestant is downed by a powerful scoring blow and appears to be in serious condition, the referee can suspend the count and call for first aid, or do so in conjunction with the count.

Guidelines for Officiating:

- The referee must be constantly prepared for the sudden occurrence of a knock down or situation where the contestant is staggered, which is usually characterized by a powerful blow accompanied by impact.
  - The referee must not spend additional time confirming the contestant's recovery after counting to "Yeo-dul" as a result of failing to observe that condition during the administration of the count.
  - When the contestant clearly recovers before the count of "Yeo-dul" and expresses the will to resume and the referee can clearly discern the contestant's condition yet resumption is hampered by the requirement of medical treatment, the referee must declare "Kye-shi" (injury time-out) and then follow the procedures of Article 19.
-

## Article 19. Procedures for Suspending the Match

1. When a contest is to be stopped due to the injury of one or both contestants, the referee shall take the measures prescribed below. However, in a situation which warrants suspending the contest for reasons other than an injury, the referee shall declare “Kal-yeo” (break) and resume the contest by declaring “Kye-sok” (continue).
  - 1.1. The referee shall suspend the contest by declaration of “Kal-yeo,” and the recorder will suspend the time. The referee will then declare, “Kye-shi” (injury time-out) when the Tournament Medical Staff steps on to the contest area.
  - 1.2. The referee shall allow the contestant one minute to receive first aid by the tournament medical staff; the referee may allow the team doctor to provide first aid if USATKD medical staff is not immediately available or if it is deemed necessary.
    - 1.2.1. The tournament medical staff may request an additional minute if necessary.
    - 1.2.2. If there is no USATKD medical staff or team doctor available, any medical personnel near the competition area can be requested to provide the athlete with first aid.
  - 1.3. If an injured contestant cannot return to the match after one minute, the referee shall declare the other contestant the winner.
  - 1.4. In case the resumption of the contest is impossible after one minute, the contestant causing the injury by a prohibited act to be penalized by “Gam-jeom” shall be declared the loser.
  - 1.5. In case both the contestants are knocked down and are unable to continue the contest after one minute, the winner shall be decided upon points scored before the injuries occurred.
  - 1.6. If the referee determines a contestant’s pain is caused only by a bruise, the referee shall declare “Kal-yeo” and give a command to resume the match with the call, “Stand up.” If the contestant refuses to continue the match after the referee gives the command “Stand up” three times, the referee shall declare the match Referee Stops Contest.
  - 1.7. If the referee determines a contestant has received an injury such as broken bone(s), dislocation, sprained ankle or bleeding, the referee shall allow the contestant to receive a first aid treatment for one minute after “Kye-shi.” The referee may allow the contestant to receive first aid treatment even after giving the command “Stand-up” if the contestant is determined to be injured in one of the categories above.
  - 1.8. Stopping the match due to injury: If the referee determines a contestant has received an injury such as broken bone(s), dislocation, sprained ankle or bleeding, the referee shall consult with the tournament medical staff. If a contestant is re-injured in the same manner, the Medical Staff may advise the referee to stop the match and declare the injured contestant the loser.

(Explanation #1)

When the referee determines that the competition cannot be continued due to injury or any other emergency situation, he/she may take the following measures:

- i) If the situation is critical such as a contestant losing consciousness or suffering from a severe injury and time is crucial, first aid must be immediately directed first and the match must be closed. In this case, the result of the match will be decided as follows.
  - The contestant causing the injury shall be declared the loser if the outcome was the result of a prohibited act
  - to be penalized by “Gam-jeom”.
  - The incapacitated contestant shall be declared the loser if the outcome was the result of a legal action or accidental, unavoidable contact.
  - If the outcome was unrelated to the match contents, the winner shall be decided by the match score before suspension of the match. If the suspension occurs before the end of the first round, the match shall be invalidated.
  
- ii) If first aid treatment is needed for an injury, the contestant can receive necessary treatment within one minute after the declaration of “Kye-shi”.
  - Order to resume the match: It is the decision of the center referee, after consultation with the Commission Doctor, whether or not it is possible for the contestant to resume the match. The referee can anytime order the contestant to resume the match within one minute. The referee can declare any contestant who does not follow the order to resume the match the loser of the contest.
  - While the contestant is receiving medical treatment or is in the process of recovering, 40 seconds after the declaration of “Kye-shi”, the referee begins to loudly announce the passage of time in five second intervals. When the contestant cannot return to the Contestant’s Mark by the end of the one minute period, the match results must be declared.
  - After the declaration of “Kye-shi”, the one minute time interval must be counted from the moment the tournament medical staff enter the mat or after waiting for tournament medical staff up to 10 seconds if not readily available in the mat. However, when the doctor’s treatment is required but the doctor is absent or additional treatment is necessary, the one minute time limit can be suspended by the judgment of the referee.
  - If resumption of the match is impossible after one minute, the decision of the match will be determined according to sub-article “i” of this article.
  
- iii) If both contestants become incapacitated and are unable to resume the match after one minute or urgent conditions arise, the match result is decided according to the following criteria:
  - If the outcome is the result of a prohibited act to be penalized by “Gam-jeom” by one contestant, that person shall be the loser.
  - If the outcome was not related to any prohibited act to be penalized by “Gam-jeom”, the result of the match shall be determined by the match score at the time of suspension of the match. However, if the suspension occurs before the end of the first round, the match shall be invalidated and the Organizing Committee will determine an appropriate time to re-contest the match. The contestant who cannot resume the match at that time, shall be deemed to have withdrawn from the match.
  - If the outcome is the result of prohibited acts to be penalized by “Gam-jeom” by both contestants, then both contestants shall lose.

(Explanation #2)

The situation which warrants suspending the match beyond the above-prescribed procedures shall be treated as follows.

- i) When uncontrollable circumstances require suspension of the match, the referee shall suspend the match and follow the directives of the Technical Delegate.
- ii) If the match is suspended after the completion of the second round, the outcome shall be determined according to the match score at the time of suspension.
- iii) If the match is suspended before the conclusion of the second round, a rematch shall, in principle, be conducted and shall be held in three rounds.



## Article 20. Technical Officials

### 1. Qualifications for all refereeing officials:

- 1.1. Holders of Referee Certification registered by USATKD and/or the WT
- 1.2. Must be a USATKD member in good standing

### 2. Duties

#### 2.1. Referee

- 2.1.1. The referee shall have control over the match.
- 2.1.2. The referee shall declare “Shi-jak,” “Keu-man,” “Kal-yeo,” “Kye-sok” and “Kye-shi,” winner and loser, deduction of points, penalties and retirement. All the referee’s declarations shall be made after the results are confirmed.
- 2.1.3. If the Inspection Desk is not in use, the referee will inspect the Chung contestant’s safety equipment, dobok, metallic articles, etc., and then Hong’s.
- 2.1.4. The referee shall have the right to make decisions independently in accordance with the prescribed rules.
- 2.1.5. In principle, the center referee shall not award points. When the officiating team is composed of 1 referee and 3 corner judges, if one of the corner judges raises his/her hand because a point was not scored, the center referee will declare, “Kal-yeo” and check to see if the score is confirmed by one or both of the other judges. If two judges concur, the referee must accept the judgment and correct the score. However, in a setting using only two corner judges, the result of the scoring can be revised if two persons among two judges and the referee agree to do so.
- 2.1.6. In case as defined by Article 15, the decision of superiority shall be made by refereeing officials after the end of four (4) rounds when necessary.

#### 2.2. Judges

- 2.2.1. The judges shall score valid points immediately.
- 2.2.2. The judges shall state their opinions forthrightly when requested by the referee.

#### 2.3. Technical Assistant (TA)

- 2.3.1. TA shall keep monitoring the scoreboard during the contest if the scoring, penalties and timing are correctly publicized, and immediately notify the referee of any problematic issue in this regard.

- 2.3.2. The TA shall notify the referee of starting or stopping the contest, in close communication with the system operator and recorder.
    - 2.3.3. The TA manually records all scores, penalties and IVR results on the TA paper or Match Sheet.
  - 2.4. Review Jury (RJ)
    - 2.4.1. The Review Jury shall be responsible for reviewing instant replays, and informing the referee of the decision within 30 seconds.
  - 2.5. Recorder
    - 2.5.1. The recorder shall time the contest, periods of time-out, and suspensions, and also shall record and publicize the awarded points, and/or penalties.
  - 2.6. Ring Captain (RC)
    - 2.6.1. Qualification: The Ring Captain shall be an experienced, highly qualified USATKD Referee appointed by the USATKD Referee Chairman.
    - 2.6.2. One Ring Captain shall be allocated per court.
    - 2.6.3. The Ring Captain manages the ring and assigns refereeing officials for the court he/she is responsible for, and may also serve as a Referee, Judge, Technical Assistant or Review Jury for that court.
3. Composition of refereeing officials per court:
  - 3.1. The officials' squad is composed of one (1) referee and three (3) judges.
  - 3.2. The officials' squad is composed of one (1) referee and two (2) judges
4. Assignment of refereeing officials:
  - 4.1. The assignment of the referees and judges shall be made after the contest schedule is fixed.
  - 4.2. Referees and judges from the same state (or country, for international competitions) as that of either contestant shall not be assigned to such a contest. However, an exception can be made for the judges when the number of refereeing officials is insufficient.
5. Responsibilities for decisions
  - 5.1. Decisions made by the referees and judges shall be conclusive and the referee and judges shall be responsible to the Competition Supervisory Board for the content of those decisions.

## 6. Uniform of referees and judges

- 6.1. The referees and judges shall wear the uniform designated by USATKD.
  - 6.2. The refereeing officials shall not carry or take any materials to the contest area which might interfere with the contest. Refereeing officials should not use mobile phones in the competition area.
- 

### Guidelines for Officiating:

**Replacement of officials:** The Chair of the Competition Supervisory Board may request the USATKD Referee Chairman for that event or USATKD designee to replace the refereeing officials in the event that refereeing officials have been mis-assigned, or when it is judged that any of the assigned refereeing officials have unfairly conducted the contest or made unjustifiable mistakes repeatedly.

**Judges' conference:** In case that each judge awards different score respectively to the legal attack on the head—for example, one judge gives one point, another gives three and the other gives no point—and no point is recognized as valid, or in the case that the recorder makes a mistake in timing, scoring or penalties, any of the judges may indicate the mistake and ask for confirmation among the judges, and, upon request from the judges, the referee may stop the contest and gather the judges to ask for statements. After discussion, the referee must publicize the resolution. In the case that a coach also requests a video review for the same occurrence, the referee shall first confer with the judges before taking the request from the coach. If it has been decided to correct the decision, the coach shall remain seated without using his/her appeal quota. If the coach still stands and requests a video review, the referee shall take the coach's request.

---

## Article 21. Instant Video Replay

1. For USATKD-organized competitions, (and where possible and/or feasible) Video Replay will be used.
2. In case there is an objection to a judgment of the refereeing officials during the contest, the coach of a team can make a request to the center referee for an immediate review of the video replay. The coach may only request video review for the following:
  - 2.1. Penalties against the opponent for instances of falling down or crossing the boundary line or attacking the opponent after "Kal-yeo" or attacking the fallen opponent
  - 2.2. Technical point
  - 2.3. Any penalty against own contestant
  - 2.4. Any mechanical malfunction or error in time management. In case of appeal for PSS mechanical malfunction, the coach may request to the center referee for a testing of the PSS at any time during the 2nd and/or the 3rd round. However, if the PSS mechanical function is properly working, the coach's appeal quota shall be forfeited. In this instance, the coach's appeal shall also be considered misconduct (of coach) and Gam-jeom shall be given to the coach's own contestant in accordance with 'Following Misconducts of contestant of coach'. This only applies to the 'Best of 3' System.
  - 2.5. When referee forgot to invalidate point(s) after "Gam-jeom" was given for prohibited act
  - 2.6. Wrong identification of fist attacking contestant by judge
  - 2.7. Head kick that is not scored regardless of the use of head PSS
3. When the coach appeals, the center referee will approach the coach and ask the reason for the appeal. Requests for review on any points scored or not scored by foot or fist attacks, with the exception of the above, on the trunk are not appealable.
  - 3.1. The scope of instant video replay request is limited to only one action which has occurred within five (5) seconds from the moment of the coach's request. Once the coach raises the card to request instant video replay, it will be considered that the coach has used his/her allocated appeal, unless the result of a Judges' meeting satisfies the coach.
4. The referee shall request the Review Jury to review the instant video replay. After review of the instant video replay—which, in principle, should be completed within 30 seconds—the Review Jury shall inform the center referee of the final decision.
5. Each coach shall receive one (1) Video Replay card per contest. If the appeal is successful and the contested issue is corrected, the coach shall retain the appeal quota for that contest. In a single match, a coach may appeal as many times as he/she wishes, as long as each appeal is upheld by the Review Jury. If an appeal is denied, the coach loses the right to any further appeal in that match.
6. The decision of the Review Jury is final; no further appeals will be accepted during or after the contest.

7. In the case that there is a clear erroneous decision from the refereeing officials on identification of the contestant or errors in the scoring system, any of the refereeing officials shall request for review and correct the decision at any time during the contest. If correction is decided, it has to take place ahead of the following contest for the winner of the contest in question.
8. In the case of a successful appeal, the Competition Supervisory Board may investigate the contest at the end of the competition day and take disciplinary action against the concerned refereeing officials, if necessary.
9. Any of the judges can ask for adding or removing technical points at any time during the round, independent of coach's appeal quota

## Article 23. Protest and Arbitration

1. Composition of the Competition Supervisory Board
  - 1.1. Qualifications of the members:
    - 1.1.1. Qualified Competition Supervisory Board members shall be persons with sufficient Taekwondo experience recommended by the USATKD Executive Director or his/her designee.
  - 1.2. Composition:
    - 1.2.1. One Chairman and no more than six members.
    - 1.2.2. If there are officials from the same state or the same training affiliation, as either contestant involved on the Competition Supervisory Board, those members must be excluded from the Board. In all cases, the number of Board members must be an odd number. If the Chair is one who is ineligible, a temporary chair must be elected by the remaining members.
  - 1.3. The chair and members of the Competition Supervisory Board will be appointed by the USATKD Executive Director or his/her designee.
2. Responsibility
  - 2.1. The Competition Supervisory Board shall adjudicate protests and correct misjudgments if necessary. In their concurrent capacity as the Extraordinary Sanctions Committee (see Article 24), the Competition Supervisory Board may also take disciplinary action against the officials committing the infraction. Documented records and results shall be sent to the USATKD Executive Director.
  - 2.2. The Chair of the Competition Supervisory Board may recommend that the USATKD Referee Chairman for that event or USATKD designee replace referees or judges.
3. Protest Procedure After the Match
  - 3.1. In case there is an objection to a referee judgment, within 10 minutes after the pertinent contest, the certified coach representing the athlete may submit an application for re-evaluation of decision (protest application) together with the prescribed, non-refundable fee of one hundred dollars (\$100.00) to the Event Director. (Please see Appendix I.)
  - 3.2. Deliberation of re-evaluation shall be carried out excluding those members of the same state or training affiliation as that of either contestant concerned, and resolution shall be made by majority vote.
  - 3.3. The members of the Competition Supervisory Board may summon the refereeing officials for confirmation of events. Video tapes will not be admitted as evidence.
  - 3.4. The resolution made by the Competition Supervisory Board will be final and no further means of appeal will be applied.

3.5. Deliberation procedures are as follows:

- 3.5.1. A coach or head of team from the protesting side shall be permitted to make a brief verbal presentation to the Board of Arbitration in support of their position. The coach or head of team from the respondent side shall be allowed to present a brief rebuttal.
- 3.5.2. After reviewing the protest application, the content of the protest must be arranged according to the criterion of "Acceptable" or "Unacceptable."
- 3.5.3. If necessary, the Board can hear opinions from the referee or judges.
- 3.5.4. If necessary, the Board can review the material evidence of the decision, such as the written records (TA Paper, score sheets, tally sheets), or electronic records of the match.
- 3.5.5. After deliberation, the Board holds a secret ballot to determine a majority decision.
- 3.5.6. The Chair will make a report documenting the outcome of the deliberation and shall make this outcome publicly known.
- 3.5.7. Subsequent process following the decision:
  - 3.5.7.1. Errors in determining the match results, mistakes in calculating the match score or misidentifying a contestant shall result in the decision being reversed.

- 4. When it is determined by the Board that the referee made a clear error in applying the Competition Rules, the outcome of the error shall be corrected, and the referee may be admonished or face sanction.
- 5. When the Board decides that there was a clear error in judging the facts such as the impact of striking, severity of action or conduct, intention, timing of an act in relation to a declaration or area, the decision shall not be changed, and the official(s) seen to have made the error shall be reprimanded.
  - 5.1. The Chair of the Competition Supervisory Board may recommend that the USATKD Referee Chairman for that event replace referees or judges in the event that refereeing officials have been wrongly assigned, or when it is judged that any of the assigned refereeing officials have unfairly conducted the contest or made unjustifiable mistakes.

## Article 24. Sanction Procedure

1. Procedure of Sanction
  - 1.1. The composition of the Extraordinary Sanctions Committee shall be the same as that of the Competition Supervisory Board.
  - 1.2. The USATKD Executive Director (or his/her designee) may request that an Extraordinary Sanctions Committee be convened for deliberation when inappropriate behaviors may have been committed by a coach, a contestant, official, and/or any Organizing Committee member.
  - 1.3. The Extraordinary Sanctions Committee shall investigate the matter, and summon person(s) concerned for confirmation of events.
  - 1.4. The deliberation procedure of sanction shall correspond to that of the Competition Supervisory Board and shall be consistent with due process protections guaranteed by the Ted Stevens Olympic and Amateur Sports Act and USATKD bylaws.
  - 1.5. The Extraordinary Sanctions Committee shall deliberate the matter, and recommend what, if any, disciplinary actions to impose. The recommendation shall be reported in writing, together with relevant facts and rationale to the USATKD Executive Director.
  - 1.6. The USATKD Executive Director shall determine what, if any, disciplinary action to impose based on the Extraordinary Sanctions Committee's report and recommendation. This decision shall be communicated to the subject of the report and announced to the public.
  - 1.7. Examples of sanctionable behaviors on the part of a contestant:
    - 1.7.1. Refusing to obey the referee's command to abide by the procedures of the match, including but not limited to refusing to bow to his/her opponent at the beginning of the match or not participating in the declaration of the winner at the end of the match
    - 1.7.2. Throwing his/her belongings (head protector, gloves, etc.) as an expression of dissatisfaction with decision
    - 1.7.3. Not leaving the competition area after the end of a match
    - 1.7.4. Not returning to a match after a referee's repeated command
    - 1.7.5. Not complying with the competition official's ruling or command
    - 1.7.6. Manipulation of scoring equipment, sensors or/and any part of a PSS
    - 1.7.7. Any serious unsportsmanlike behavior during a match or aggressive misconduct toward competition officials



1.8. Examples of sanctionable behaviors on the part of a coach, official, or member of a Local Organizing Committee:

- 1.8.1. Complaining about or arguing against an official's decision during or after a round
- 1.8.2. Arguing with the referee or other official(s)
- 1.8.3. Violent behavior or remark toward officials, opponents or the opposing side, or spectators during a match
- 1.8.4. Provoking spectators or spreading false rumor
- 1.8.5. Violent behavior; e.g., throwing or kicking personal belongings or competition materials
- 1.8.6. Instructing athlete(s) to participate in misconduct, such as remaining in the competition area after a match
- 1.8.7. Not following instructions of competition officials to leave the field of play or venue
- 1.8.8. Any other serious misconduct toward competition officials
- 1.8.9. Any attempt to bribe competition officials

2. Disciplinary actions:

Disciplinary Actions issued by the Extraordinary Sanctions Committee may vary according to the degree of the violation. The following sanctions may be given:

- 2.1. Disqualification of the athlete
- 2.2. Warning and order to issue official apology
- 2.3. Removal of accreditation
- 2.4. Ban from the competition venue:
  - 2.4.1. Ban for the day
  - 2.4.2. Ban for the duration of the Championships
- 2.5. Cancellation of Result
  - 2.5.1. Cancellation of the match result and all related merits
  - 2.5.2. Cancellation of USATKD ranking points

- 2.6. Suspension of athlete, coach, or/and team officials from all USATKD activities:
  - 2.6.1. 6 month suspension
  - 2.6.2. 1 year suspension
  - 2.6.3. 2 year suspension
  - 2.6.4. 3 year suspension
  - 2.6.5. 4 year suspension
- 2.7. Ban of the Local Organizing Committee from participating in USATKD Promoted or Sanctioned Championships:
  - 2.7.1. Specified championships
  - 2.7.2. All championships for a specified period of time (up to four (4)years)
- 2.8. Monetary fine of between \$100-to-\$5,000 US dollars per violation.
3. The Extraordinary Sanctions Committee may recommend to USATKD that additional disciplinary actions be taken against the person(s) involved, including but not limited to longer-term suspension, lifetime ban, and/or additional monetary fines.
4. Appeal of any disciplinary action(s) taken by Extraordinary Sanctions Committee may be made in accordance with Section 15 of USATKD Bylaws governing dispute resolution and disciplinary actions.

## **Article 25. Other Matters Not Specified in the Competition Rules**

1. Matters not specified in the Competition Rules shall be dealt with as follows:
  - 1.1. Matters related to the competition shall be decided through consensus by the refereeing officials of the pertinent contest, under the direction of the Ring Captain and if necessary, the Referee Chairman for the event.
  - 1.2. Matters which are not related to a specific contest shall be decided by the USATKD Executive Director or his/her designee.
  - 1.3. Matters and situations not covered by these competition rules will be resolved by precedents, interpretation, and the rules set forth by USATKD and WT.
    - 1.3.1. If the situation is covered by USATKD or WT rules, the Chairman of the Competition Supervisory Board will make final rulings.
    - 1.3.2. If the situation is not covered by USATKD or WT rules, the Executive Director of USATKD (or his/her appointed delegate) will make the final ruling after a joint meeting of the Competition Supervisory Board members and other involved committee members.

## **Article 26. Guidelines for Transgender Athletes**

1. In order to ensure, insofar as possible, that transgender athletes have fair and equal opportunity to participate in USATKD competitions, USATKD shall be governed by the current practice of the International Olympic Committee (IOC) in these matters. Specifically, when determining eligibility to compete in male and female competition, the following guidelines shall be taken into account:
  - 1.1. Athletes who transition from female to male are eligible to compete in the male division without restriction.
  - 1.2. Athletes who transition from male to female are eligible to compete in the female division under the following conditions:
    - 1.2.1. The athlete has declared that her gender identity is female. The declaration cannot be changed, for competition purposes, for a minimum of four years.
    - 1.2.2. The athlete must demonstrate that her total testosterone level in serum has been below 10 nmol/L for at least 12 months prior to her first competition (with the requirement for any longer period to be based on a confidential case-by-case evaluation, considering whether 12 months is a sufficient length of time to minimize any advantage in women's competition).
    - 1.2.3. The athlete's total testosterone level in serum must remain below 10 nmol/L throughout the period of desired eligibility to compete in the female division.
    - 1.2.4. Compliance with these conditions may be monitored by testing. In the event of non-compliance, the athlete's eligibility for female competition will be suspended for 12 months.