

1. Upon first arrival of the crew to the worksite, what is the primary responsibility?
 - A. Bring in the mast.
 - B. Determine staging area.
 - C. Ensure adequate power supply.
 - D. Safety orientation and documentation.
2. At what height does the use of fall protection become mandatory by WorkSafeBC?

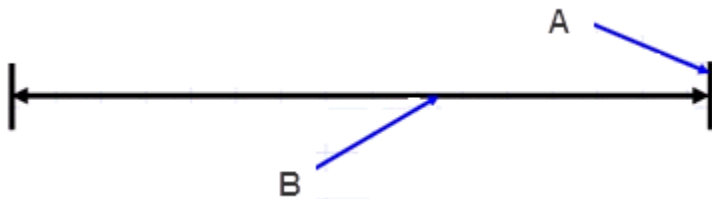
METRIC

IMPERIAL

- | | |
|----------|--------|
| A. 2.0 m | 6 ft. |
| B. 3.0 m | 10 ft. |
| C. 3.5 m | 12 ft. |
| D. 4.5 m | 15 ft. |

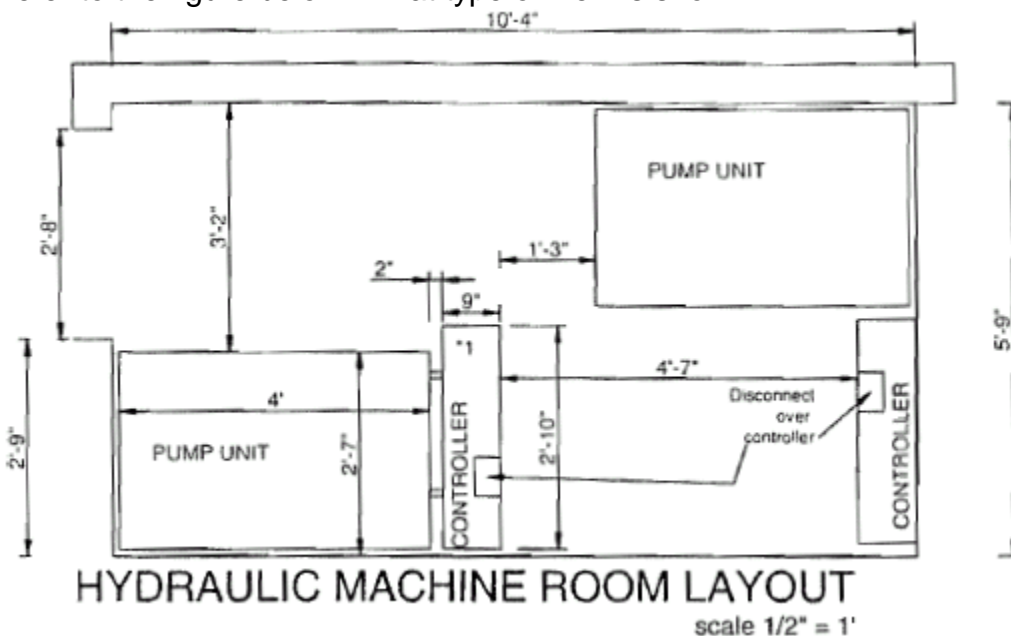
3. For scaffolds that are not tied in, outriggers must be used if the height of the scaffold exceeds the least scaffold base dimension by how many times?
 - A. 2 times.
 - B. 3 times.
 - C. 4 times
 - D. 6 times.
4. What is the length of a rope lay?
 - A. The total number of turns in a rope.
 - B. The number of wires in each strand.
 - C. The length of a rope divided by the total number of strands in the rope.
 - D. The distance along the axis of a rope for one strand to completely circle the rope.
5. A digital multimeter with auto ranging is set on the ohm scale and has a reading of 2 M ohms. What resistance is indicated?
 - A. 0.000,000,2 ohm
 - B. 2 ohm
 - C. 200,000 ohm
 - D. 2,000,000 ohm
6. What amount of torque would develop if a force of 10 ft. lb. is placed on the end of a 2 ft. wrench?
 - A. 10 ft. lb.
 - B. 15 ft. lb.
 - C. 20 ft. lb.
 - D. 25 ft. lb.
7. What is the volume of a cylinder that is 10 ft. long and has a radius of 6 in.?
 - A. 5 cu. ft.
 - B. 7.85 cu. ft.
 - C. 11.3 cu. ft.
 - D. 15.7 cu. ft.
8. When to the maintenance, repair and replacement requirements in B44 apply?
 - A. To both new and existing installations.
 - B. Only to new installations.
 - C. Only to existing installations.
 - D. Only to equipment installed since 1990.

9. Refer to the figure below. What line is indicated by the letter B?



- A. Centre.
- B. Hidden.
- C. Extension.
- D. Dimension.

10. Refer to the figure below. What type of view is shown?



- A. Top.
- B. Plan.
- C. Plain.
- D. Elevation.

11. According to Z185, what is the minimum spring buffer stroke for 1.25 m/sec. (250 ft./min.)?

METRIC	IMPERIAL
A. 64 mm	2.5 in.
B. 100 mm	4 in.
C. 150 mm	6 in.
D. 255mm	9 in.

12. Which safety code applies to manlifts?

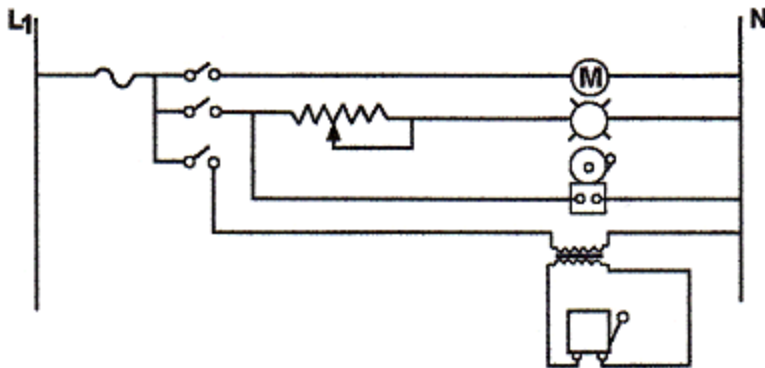
- A. B355
- B. B-44
- C. B-311
- D. A-17

13. Using the ohm's law, what is the voltage and power value for a circuit with a total resistance of 1.8 ohms and the total current being 200 amps?
- A. 111 v., 22,222 w.
 - B. 360 v., 648 w.
 - C. 360 v., 72,000 w.
 - D. 600 v., 120,000 w.
14. Referring to the B44 code, where are oil buffers required?
- A. Below the car only.
 - B. Below the counterweight only.
 - C. Below the car and counterweight, for rated speed over 1 m/sec. (200 ft./min.).
 - D. Below the car and counterweight, for rated speed under 1 m/sec. (200 ft./min.).
15. What type of pressure test is performed with rated load in the car travelling at rated speed in the up direction?
- A. Static pressure.
 - B. Relief pressure.
 - C. Bypass pressure.
 - D. Working pressure.
16. Refer to the figure below. What does this schematic symbol represent?



- A. Bus.
 - B. Chassis ground.
 - C. Connected wires.
 - D. Wire screw terminal.
17. What are the three common solid state components used to accomplish voltage regulation?
- A. Scrs, inductors and capacitors.
 - B. Zener diodes, transistors and IC's.
 - C. Resistors, inductors and capacitors.
 - D. Zener diodes, transistors and inductors.

18. Refer to the figure below. Which type of diagram is represented?

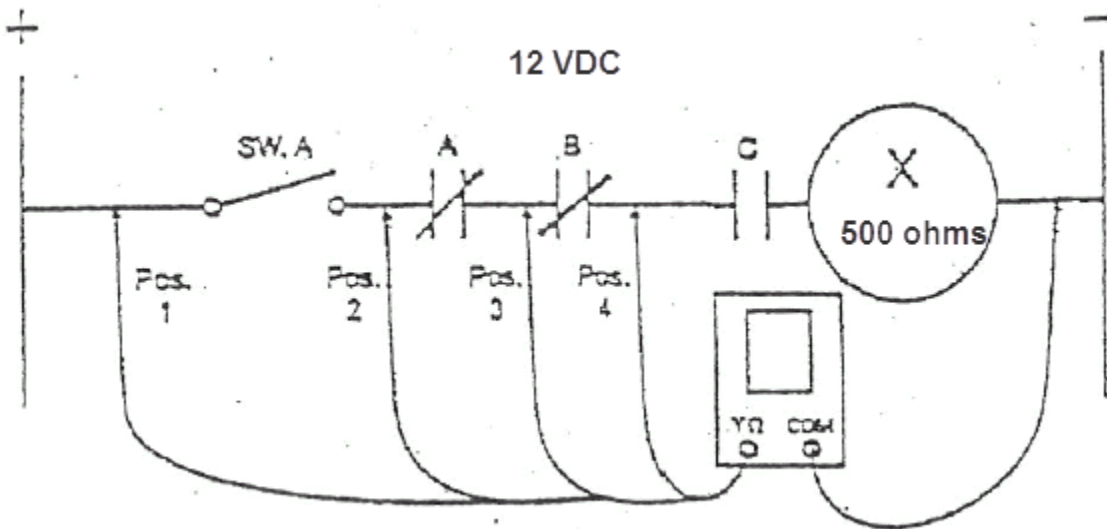


- A. Riser.
- B. Layout.
- C. Schematic.
- D. Single-line.

19. What type of circuit has one or more components connected across a power source so that the current divides between them while maintaining voltage across each branch?

- A. A series circuit.
- B. A suicide circuit.
- C. A parallel circuit.
- D. An inductor circuit.

20. Refer to the figure below. The meter function switch is set to the 20v DC range. What would the meter read with the V ohm lead in position 1?



- A. 0 volts
- B. .02 amps
- C. 12 VDC
- D. 500 ohms

21. Refer to the figure below. Which electrical component is represented?

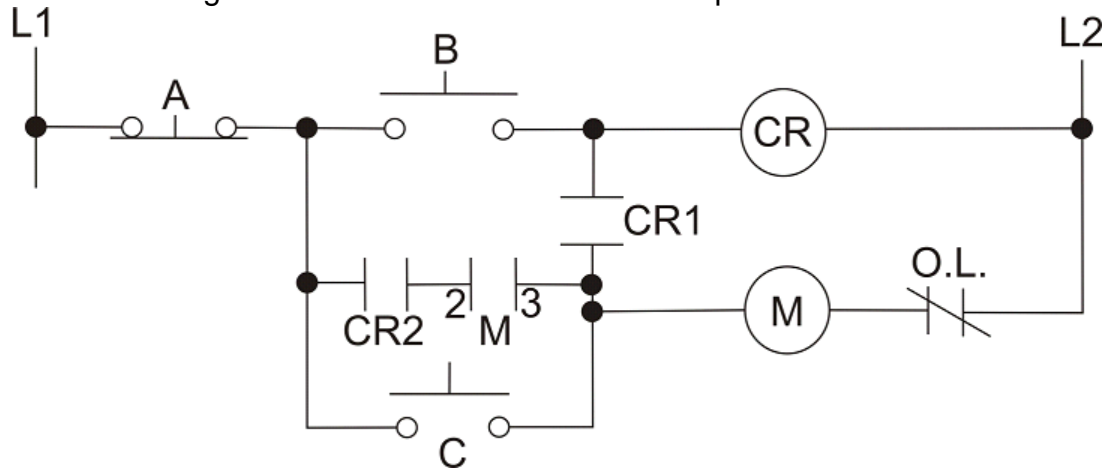


- A. Lamp.
- B. Fixed resistor.
- C. Potentiometer.
- D. Variable resistor.

22. What term best describes tying all metal parts at ground potential to minimize electrical shock hazards?

- A. Tagging.
- B. Shorting.
- C. Bonding.
- D. Loop linking.

23. Refer to the figure below. What is the function of pushbutton B?



- A. Starting.
- B. Jogging.
- C. Stopping.
- D. Plugging.

24. What are the first steps to follow for laying out and installing the base and buffer assembly?

- A. Mark the base centerline, bolt and shim the base, mount the buffer assembly and then place mast.
- B. Confirm the edge of the building, mark the base centerline, bolt and shim the base and then place mast.
- C. Measure the car to determine the centerline of the mast, confirm the edge of the building, mark the base centerline, bolt and shim the base.
- D. Measure the car to determine the centerline of the mast, mark the base centerline, bolt and shim the base and then mount the buffer assembly.

25. If the maximum allowable horizontal inclination of the mast tie is 15 degrees, given a horizontal distance of 86 in., what is the maximum height the brace attachment point can be located at, above slab grade?

- A. 20 in.
- B. 27 in.
- C. 23 in.
- D. 25 in.

26. At what hoist speed is a terminal slowdown device required to be installed?

METRIC	IMPERIAL
A. 0.50 m/sec.	100 ft./min.
B. 0.75 m/sec.	150 ft./min.
C. 1.00 m/sec.	200 ft./min.
D. 1.50 m/sec.	300 ft./min.

27. What is the function of the required 3 phase relay?

- A. Reversal of phase detection.
- B. 3 phase voltage level detection.
- C. Loss of one or more phases detection.
- D. Both loss of one or more phases and reversal of phase detection.

28. Referring to 2185, what is the maximum clearance between the car sill and the landing sill?

METRIC	IMPERIAL
A. 13 mm	1/2 in.
B. 26 mm	1 in.
C. 38 mm	1 1/2 in.
D. 52 mm	2 in.

29. What is the maximum rated load of a power type manlift?

- A. 256 K
- B. 350 K
- C. 454 K
- D. 610 K

1. Upon first arrival of the crew to the worksite, what is the primary responsibility?
 - A. Bring in the mast.
 - B. Determine staging area.
 - C. Ensure adequate power supply.
 - D. Safety orientation and documentation.
2. At what height does the use of fall protection become mandatory by WorkSafeBC?

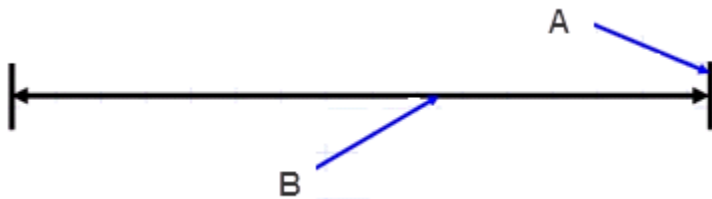
METRIC

IMPERIAL

- | | |
|--|--------|
| A. 2.0 m | 6 ft. |
| <input checked="" type="checkbox"/> B. 3.0 m | 10 ft. |
| C. 3.5 m | 12 ft. |
| D. 4.5 m | 15 ft. |

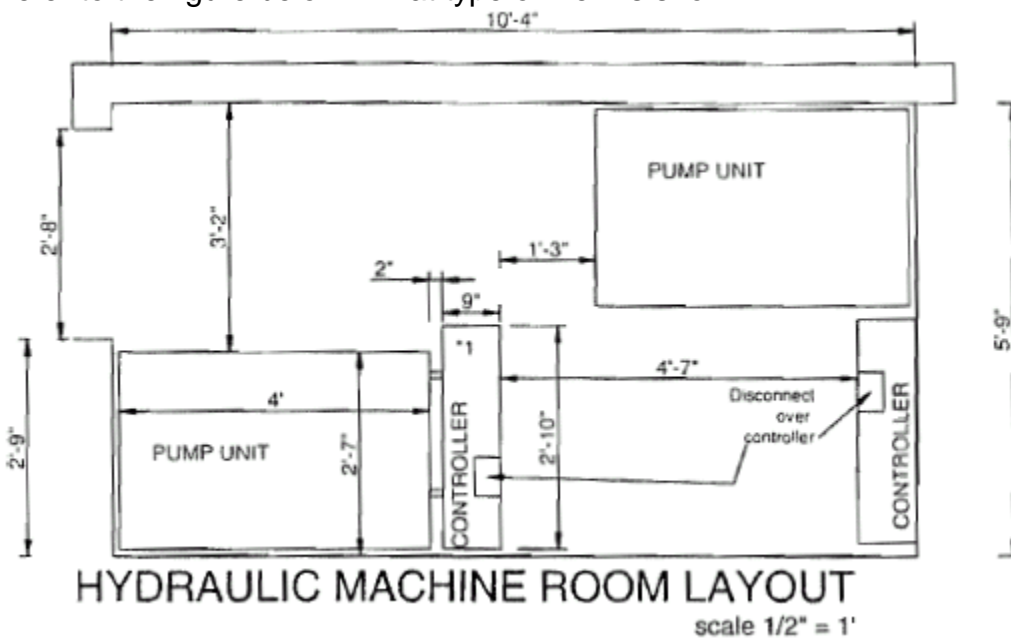
3. For scaffolds that are not tied in, outriggers must be used if the height of the scaffold exceeds the least scaffold base dimension by how many times?
 - A. 2 times.
 - B. 3 times.
 - C. 4 times
 - D. 6 times.
4. What is the length of a rope lay?
 - A. The total number of turns in a rope.
 - B. The number of wires in each strand.
 - C. The length of a rope divided by the total number of strands in the rope.
 - D. The distance along the axis of a rope for one strand to completely circle the rope.
5. A digital multimeter with auto ranging is set on the ohm scale and has a reading of 2 M ohms. What resistance is indicated?
 - A. 0.000,000,2 ohm
 - B. 2 ohm
 - C. 200,000 ohm
 - D. 2,000,000 ohm
6. What amount of torque would develop if a force of 10 ft. lb. is placed on the end of a 2 ft. wrench?
 - A. 10 ft. lb.
 - B. 15 ft. lb.
 - C. 20 ft. lb.
 - D. 25 ft. lb.
7. What is the volume of a cylinder that is 10 ft. long and has a radius of 6 in.?
 - A. 5 cu. ft.
 - B. 7.85 cu. ft.
 - C. 11.3 cu. ft.
 - D. 15.7 cu. ft.
8. When to the maintenance, repair and replacement requirements in B44 apply?
 - A. To both new and existing installations.
 - B. Only to new installations.
 - C. Only to existing installations.
 - D. Only to equipment installed since 1990.

9. Refer to the figure below. What line is indicated by the letter B?



- A. Centre.
- B. Hidden.
- C. Extension.
- D. Dimension.

10. Refer to the figure below. What type of view is shown?



- A. Top.
- B. Plan.
- C. Plain.
- D. Elevation.

11. According to Z185, what is the minimum spring buffer stroke for 1.25 m/sec. (250 ft./min.)?

METRIC	IMPERIAL
A. 64 mm	2.5 in.
B. 100 mm	4 in.
C. <input checked="" type="checkbox"/> 150 mm	6 in.
D. 255mm	9 in.

12. Which safety code applies to manlifts?

- A. B355
- B. B-44
- C. B-311
- D. A-17

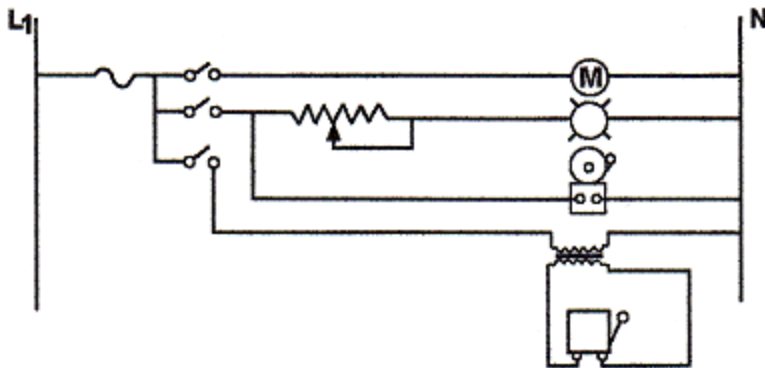
13. Using the ohm's law, what is the voltage and power value for a circuit with a total resistance of 1.8 ohms and the total current being 200 amps?
- A. 111 v., 22,222 w.
 - B. 360 v., 648 w.
 - C✓ 360 v., 72,000 w.
 - D. 600 v., 120,000 w.
14. Referring to the B44 code, where are oil buffers required?
- A. Below the car only.
 - B. Below the counterweight only.
 - C✓ Below the car and counterweight, for rated speed over 1 m/sec. (200 ft./min.).
 - D. Below the car and counterweight, for rated speed under 1 m/sec. (200 ft./min.).
15. What type of pressure test is performed with rated load in the car travelling at rated speed in the up direction?
- A. Static pressure.
 - B. Relief pressure.
 - C. Bypass pressure.
 - D✓ Working pressure.

16. Refer to the figure below. What does this schematic symbol represent?



- A. Bus.
 - B. Chassis ground.
 - C. Connected wires.
 - D✓ Wire screw terminal.
17. What are the three common solid state components used to accomplish voltage regulation?
- A. Scrs, inductors and capacitors.
 - B✓ Zener diodes, transistors and IC's.
 - C. Resistors, inductors and capacitors.
 - D. Zener diodes, transistors and inductors.

18. Refer to the figure below. Which type of diagram is represented?

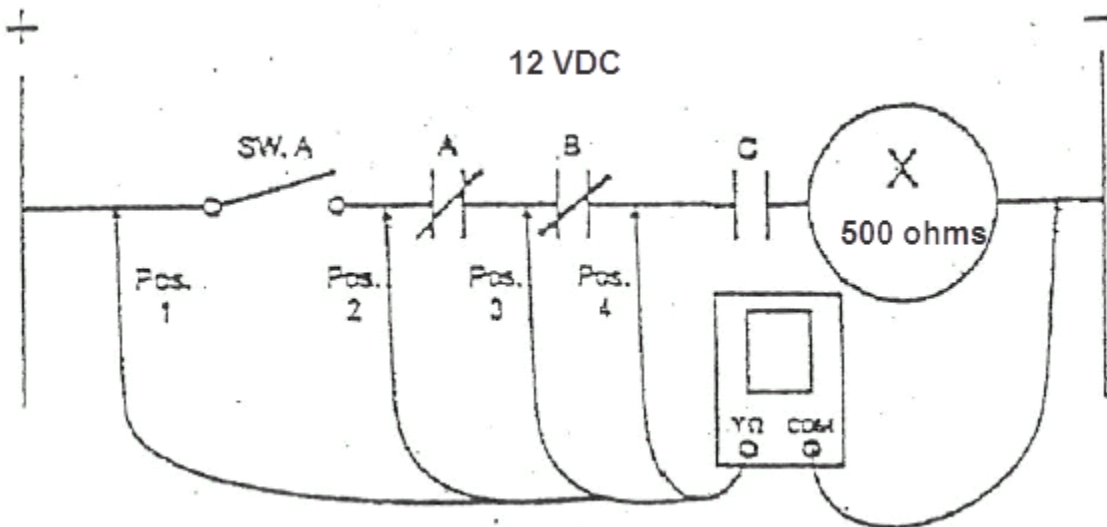


- A. Riser.
- B. Layout.
- C✓ Schematic.
- D. Single-line.

19. What type of circuit has one or more components connected across a power source so that the current divides between them while maintaining voltage across each branch?

- A. A series circuit.
- B. A suicide circuit.
- C✓ A parallel circuit.
- D. An inductor circuit.

20. Refer to the figure below. The meter function switch is set to the 20v DC range. What would the meter read with the V ohm lead in position 1?



- A. 0 volts
- B. .02 amps
- C✓ 12 VDC
- D. 500 ohms

21. Refer to the figure below. Which electrical component is represented?

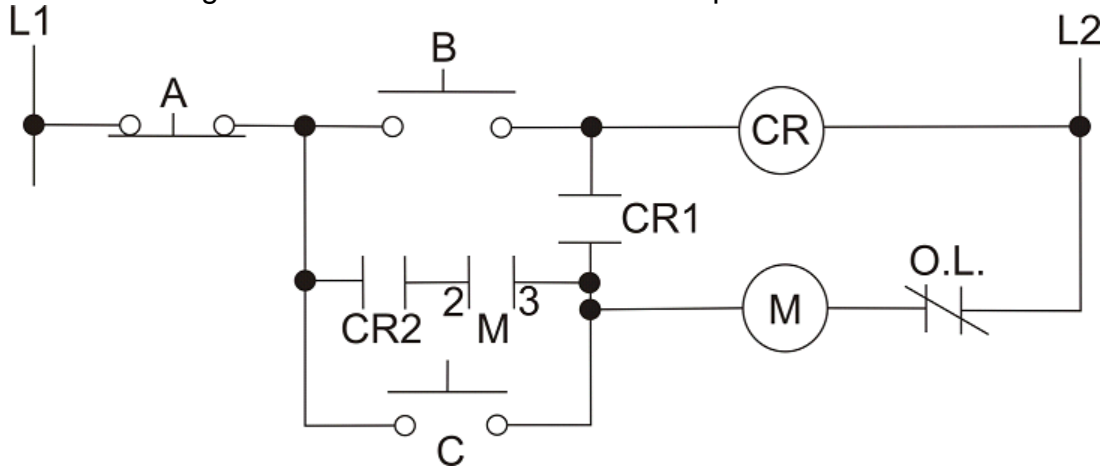


- A. Lamp.
- B. Fixed resistor.
- C. Potentiometer.
- D. Variable resistor.

22. What term best describes tying all metal parts at ground potential to minimize electrical shock hazards?

- A. Tagging.
- B. Shorting.
- C. Bonding.
- D. Loop linking.

23. Refer to the figure below. What is the function of pushbutton B?



- A. Starting.
- B. Jogging.
- C. Stopping.
- D. Plugging.

24. What are the first steps to follow for laying out and installing the base and buffer assembly?

- A. Mark the base centerline, bolt and shim the base, mount the buffer assembly and then place mast.
- B. Confirm the edge of the building, mark the base centerline, bolt and shim the base and then place mast.
- C. Measure the car to determine the centerline of the mast, confirm the edge of the building, mark the base centerline, bolt and shim the base.
- D. Measure the car to determine the centerline of the mast, mark the base centerline, bolt and shim the base and then mount the buffer assembly.

25. If the maximum allowable horizontal inclination of the mast tie is 15 degrees, given a horizontal distance of 86 in., what is the maximum height the brace attachment point can be located at, above slab grade?

- A. 20 in.
- B. 27 in.
- C. 23 in.
- D. 25 in.

26. At what hoist speed is a terminal slowdown device required to be installed?

METRIC	IMPERIAL
A. 0.50 m/sec.	100 ft./min.
B✓ 0.75 m/sec.	150 ft./min.
C. 1.00 m/sec.	200 ft./min.
D. 1.50 m/sec.	300 ft./min.

27. What is the function of the required 3 phase relay?

- A. Reversal of phase detection.
- B. 3 phase voltage level detection.
- C. Loss of one or more phases detection.
- D✓ Both loss of one or more phases and reversal of phase detection.

28. Referring to 2185, what is the maximum clearance between the car sill and the landing sill?

METRIC	IMPERIAL
A. 13 mm	1/2 in.
B. 26 mm	1 in.
C. 38 mm	1 1/2 in.
D✓ 52 mm	2 in.

29. What is the maximum rated load of a power type manlift?

- A. 256 K
- B. 350 K
- C✓ 454 K
- D. 610 K