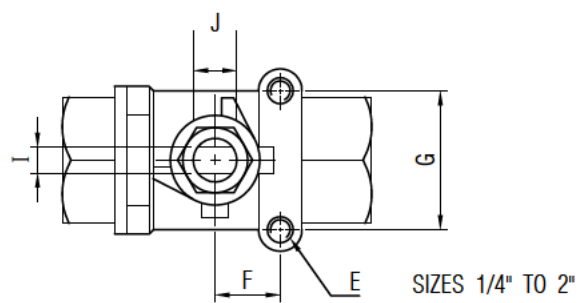
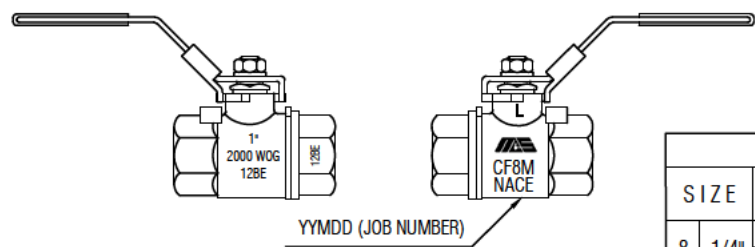
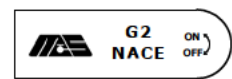
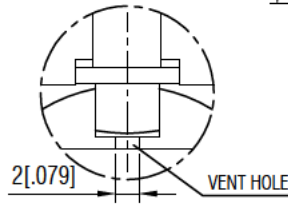
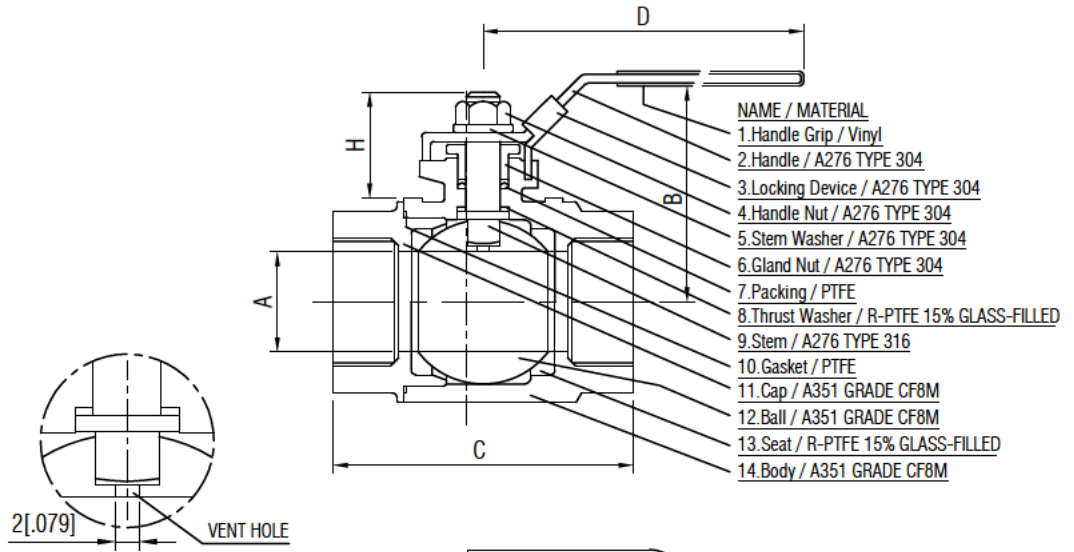


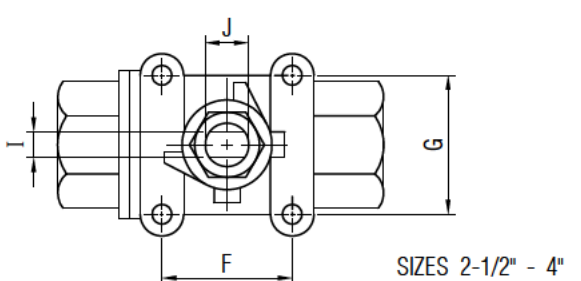
Appendix L - Valve specification sheet

G2

TWO PIECE BODY
 FULL PORT
 NPT THREADS TO ANSI B1.20.1
 BLOWOUT PROOF STEM
 ADJUSTABLE PACKING NUT
 LOCKING LEVER HANDLE
 ACTUATOR MOUNTING PAD
 FLOATING BALL
 2000 P.S.I W.O.G. 1/4" ~ 2"
 1500 P.S.I. W.O.G. 2-1/2" ~ 3"
 1000 P.S.I. W.O.G. 4"
 COMPLIES WITH NACE MR-0103
 & SUPPLIER REQUIREMENTS OF
 NACE MR-0175 / ISO 15156

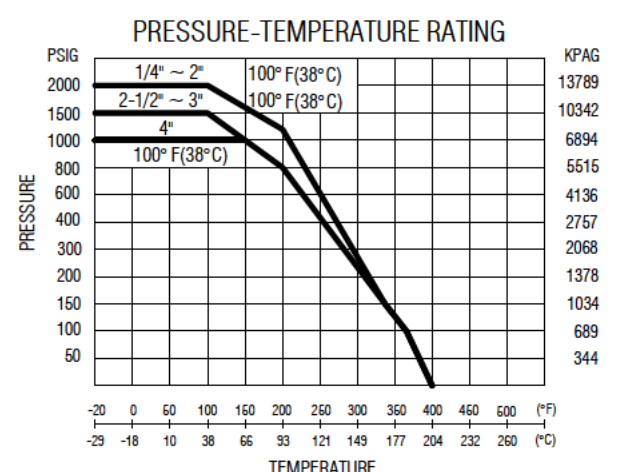


NOTE (1) 1/4" & 3/8" MOUNTING PADS HAVE UNTAPPED RESERVE HOLES CASTED IN.



NOTE (2) MOUNTING PADS ARE DIMPLED AT THE DRILLING LOCATIONS.

DIMENSIONS													
SIZE	(mm/in)	(mm/in)	(mm/in)	(mm/in)	(mm/in)	(mm/in)	(mm/in)	(mm/in)	(mm/in)	(mm/in)	(mm/in)	CV FACTOR	WEIGHTS KGS/LBS
8 1/4"	9.6	50.28	55.80	96	NOTE	12.7	25.4	20.78	5.52	8.00	7	0.230	
	0.378	1.980	2.197	3.780	(1)	0.5	1.00	0.818	0.217	0.315		0.506	
10 3/8"	9.6	50.28	55.80	96	NOTE	12.7	25.4	20.78	5.52	8.00	7	0.225	
	0.378	1.980	2.197	3.780	(1)	0.5	1.00	0.818	0.217	0.315		0.495	
15 1/2"	12.5	52.6	60.5	96	M5	12.7	25.4	23.1	5.55	8.00	12	0.280	
	0.492	2.071	2.382	3.78		0.5	1	0.909	0.219	0.315		0.616	
20 3/4"	20	59.25	72.5	119	M6	15.80	29.40	28.75	6.50	10	50	0.520	
	0.787	2.333	2.854	4.685		0.622	1.157	1.132	0.256	0.394		1.144	
25 1"	24.7	62.35	85.5	119	M6	15.80	29.40	27.85	6.50	10	80	0.765	
	0.972	2.455	3.366	4.685		0.622	1.157	1.096	0.256	0.394		1.683	
32 1-1/4"	32	79.90	93	149	M8	17.68	35.35	36.20	8.07	12.00	145	1.292	
	1.260	3.146	3.661	5.866		0.696	1.392	1.425	0.317	0.480		2.842	
40 1-1/2"	38.1	84.8	110.5	149	M8	25	49.50	37.30	8.07	12.00	250	1.864	
	1.5	3.339	4.350	5.866		0.984	1.949	1.469	0.317	0.480		4.101	
50 2"	50	94.6	128	174	M8	23.6	50	36.1	10.00	14.00	440	3.170	
	1.969	3.724	5.039	6.850		0.929	1.969	1.421	0.394	0.551		6.974	
65 2-1/2"	63.50	122.05	153.8	244	NOTE	72.10	72.10	45.35	12.00	16.00	680	5.796	
	2.500	4.805	6.055	9.606	(2)	2.839	2.839	1.785	0.472	0.630		12.751	
80 3"	76	131.55	175.5	244	NOTE	70.00	73.00	44.85	12.00	16.00	1100	8.285	
	2.992	5.179	6.909	9.606	(2)	2.756	2.874	1.766	0.472	0.630		18.227	
100 4"	100	178.6	233	321	NOTE	102	102	64.5	18	23	2200	20.5	
	3.937	7.031	9.173	12.637	(2)	4.015	4.015	2.539	0.708	0.905		45.194	



DRAWING NO: G2 REV. A3
DATE OF ISSUE : AUG. 01. 2022
EARLIEST JOB NUMBER: 17BE