

1. Upon first arrival of the crew to the construction worksite, what is the primary responsibility?
  - A. Bring in the rails.
  - B. Determine staging area.
  - C. Ensure adequate power supply.
  - D. Safety orientation and documentation.
2. Who has the primary responsibility for the mental and physical well being of the elevator worker?
  - A. The employer.
  - B. Elevator inspectors.
  - C. The elevator worker.
  - D. The Safety Authority.

3. At what height does a written fall protection plan become mandatory?

METRIC

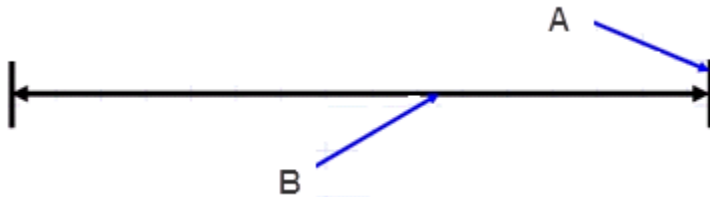
IMPERIAL

- |          |        |
|----------|--------|
| A. 2.0 m | 6 ft.  |
| B. 3.0 m | 10 ft. |
| C. 6.0 m | 20 ft. |
| D. 7.5 m | 25 ft. |

4. Who is responsible to provide employees with WHMIS training?
  - A. BCSA.
  - B. WorkSafeBC.
  - C. The employer.
  - D. The employee.
5. How many workers may be attached to a vertical lifeline?
  - A. 1
  - B. 2
  - C. 3
  - D. 4
6. What class of fire extinguisher should be used on a fire in electrical equipment?
  - A. A.
  - B. B.
  - C. C.
  - D. AB.
7. For scaffolds that are not tied in, outriggers must be used if the height of the scaffold exceeds the least scaffold base dimension by how many times?
  - A. 2 times.
  - B. 3 times.
  - C. 4 times.
  - D. 6 times.
8. A load consisting of 2 or more pieces of material over 3 m (10 ft.) long must be slung. What sling arrangement will keep the load horizontal during the lift?
  - A. 1 legged sling arrangement, wrapped around the load.
  - B. 2 legged sling arrangement, with each sling wrapped around the load.
  - C. 3 legged sling arrangement, with each sling wrapped around the load.
  - D. 4 legged sling arrangement, with each sling wrapped around the load.

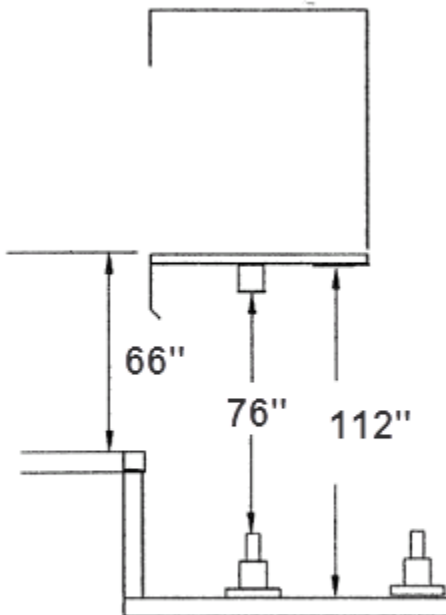
9. What is the maximum allowable number of broken wires randomly distributed through the strands of a wire rope used in hoisting?
- A. 1
  - B. 3
  - C. 6
  - D. 8
10. What feature should a meter have to reduce the loading effect of a voltmeter?
- A. An external shunt.
  - B. A high "ohms/volt" rating.
  - C. Low value of multiplier resistance.
  - D. A high "current for full-scale deflection" value.
11. A meter manufacturer advertises the accuracy of their meter as being 2%. Using this meter, what is a reading of 120 V on a 250 V scale?
- A. 115.0 v. to 125 v.
  - B. 117.6 v. to 122.4 v.
  - C. 118.8 v. to 121.2 v.
  - D. 120.0 v. to 125 v.
12. A digital multimeter with auto ranging is set on the ohm scale and has a reading of 2 M ohms. What resistance is indicated?
- A. 0.000,000,2 ohm
  - B. 2.0 ohm
  - C. 200,000.0 ohm
  - D. 2,000,000.0 ohm
13. What is 0.10 metre per second converted to ft. per min.?
- A. 20 ft. per min.
  - B. 40 ft. per min.
  - C. 50 ft. per min.
  - D. 200 ft. per min.
14. What amount of torque would develop if a force of 10 ft. lb. is placed on the end of a 2 ft. wrench?
- A. 10 ft. lb.
  - B. 15 ft. lb.
  - C. 20 ft. lb.
  - D. 25 ft. lb.
15. Which bearing is designed to withstand an axial load placed on the worm shaft?
- A. Load.
  - B. Spider.
  - C. Thrust.
  - D. Bonnet.

16. Refer to the figure below. What line is indicated by the letter B?



- A. Centre.
  - B. Hidden.
  - C. Dimension.
  - D. Extension.
17. Refer Figure 1, Elevation View at the end of the exam. What is the distance from the pit floor to the elevator cab floor when the elevator is level with the top landing?
- A. 10 ft. 4 3/8in.
  - B. 53 ft. 9 in.
  - C. 58 ft. 7 in.
  - D. 70 ft. 7 in.
18. At what tripping speed must a counterweight governor be set in relation to a car governor?
- A. 100% to 110%
  - B. 110% to 115%
  - C. 115% to 120%
  - D. 120% to 125%
19. B44 limits escalator incline to  $30^\circ \pm$  how many degrees?
- A.  $1^\circ$
  - B.  $2^\circ$
  - C.  $4^\circ$
  - D.  $5^\circ$
20. What is one advantage of stranded wire over a solid wire?
- A. Cost.
  - B. Weight.
  - C. Ampacity.
  - D. Flexibility.
21. If a compensating sheave is **not** equipped with a tie-down device to limit the jump of the car or counterweight on buffer engagement, what is the maximum rated speed?
- | METRIC        | IMPERIAL     |
|---------------|--------------|
| A. 3.0 m/sec. | 600 ft./min. |
| B. 3.5 m/sec. | 700 ft./min. |
| C. 3.8 m/sec. | 750 ft./min. |
| D. 4.0 m/sec. | 800 ft./min. |
22. Basement mounted machines are required to have a foundation:
- A. That weights as much as the machine.
  - B. To support the increased weight of the machine.
  - C. To resist the up-thrust forces of the entire loaded elevator.
  - D. That is made of steel the same weight as the loaded elevator and counterweight.

23. The suspension ropes for a roped hydraulic elevator do not depend on traction:
- A. Therefore, they do not require cleaning.
  - B. Therefore, they do not require any lubrication.
  - C. Therefore, a heavy grease should be used on them.
  - D. However, they still need to be cleaned and lightly lubricated.
24. What is the term used for the pressure of a hydraulic elevator when lifting the car and its rated load at rated speed?
- A. Direct pressure.
  - B. Relief pressure.
  - C. Static pressure.
  - D. Working pressure.
25. What component is tested to determine that it will bypass the full output of a pump before pressure exceeds 150% of working pressure?
- A. Gate valve.
  - B. Relief valve.
  - C. Bypass valve.
  - D. Overspeed valve.
26. Refer to the figure below. The refuge space in this instance is where the 112 in. measurement is indicated. The buffer has a bottom stroke of 10 in. What is the bottom car vertical clearance in the refuge space?



Bottom Runby and Clearance

- A. 26 in.
- B. 34 in.
- C. 36 in.
- D. 46 in.

27. What is required when assembling the car frame for a direct-plunger hydraulic elevator?
- A. The car guide rails are installed last.
  - B. The car enclosure is placed in the hoistway first.
  - C. The plunger cylinder installation must be complete.
  - D. The plunger cylinder is installed after the car frame is assembled.
28. What is a requirement for a shut-off valve in the hydraulic supply line of a hydraulic elevator?
- A. Be manually operated.
  - B. Be electronically activated.
  - C. Not greater than 6 ft. above the floor.
  - D. Not greater than 8 ft. above the floor.
29. Using ohm's law, what is the power developed in a circuit with the total resistance being 1.2 ohms at 240 volts?
- A. 28.8 w.
  - B. 576.0 w.
  - C. 48,000.0 w.
  - D. 69,120.0 w.

30. Refer to the figure below. What electrical component is represented?



- A. Fuse.
  - B. TRIAC.
  - C. Transistor.
  - D. Transformer.
31. Four resistors,  $12\ \Omega$  each, are connected in parallel. This group is connected to a 120 v source. What is the current in the line leading to the group of resistors?
- A. 40 a.
  - B. 50 a.
  - C. 120 a.
  - D. 180 a.
32. What type of diode is used as a voltage regulator to keep the output voltage of a power supply constant under varying load conditions?
- A. Zener.
  - B. Photo.
  - C. Standard.
  - D. Light emitting.
33. Refer to the figure below. What electrical component is represented?

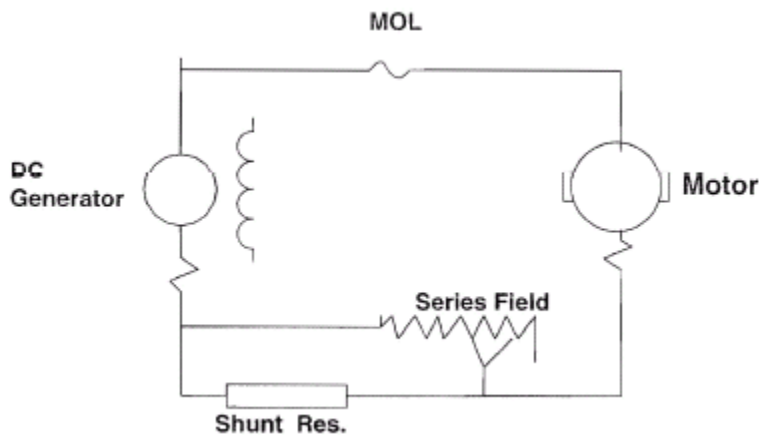


- A. Lamp.
- B. Fixed resistor.
- C. Potentiometer.
- D. Variable resistor.

34. During generator action, when a loop of wire rotates to a point between two opposing magnetic poles where no magnetic lines of force are being cut, what voltage level will be produced?
- A. Zero.
  - B. Variable.
  - C. Fractional.
  - D. Maximum.

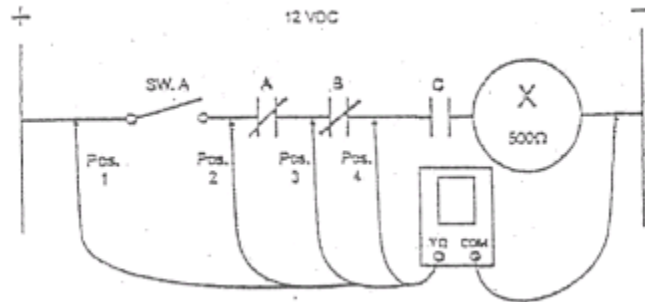
35. Which solid state device would be used to power a DC hoist motor?
- A. Diode.
  - B. Varistor.
  - C. Selenium rectifier.
  - D. Silicon controlled rectifier.

36. Refer to the figure below. What part of a generator field control does the circuit represent?



- A. Loop circuit.
  - B. Safety string.
  - C. Suicide circuit.
  - D. Generator field circuit.
37. What must be done after using jumpers and before returning equipment to service?
- A. Note in the log book.
  - B. Test the lighting circuit.
  - C. Remove and count all jumpers.
  - D. Be sure the jumper wiring is neatly in place.

38. Refer to the figure below. The meter function switch is set to the 20v DC range. What would the meter read with the V ohm lead in position 1?



- A. 0 volts.  
B. .02 amps.  
C. 12 VDC.  
D. 500 ohms.
39. Refer to the SAPB drawings Pages 1 and 2. at the end of the exam. If P relay coil shorts when the car is in motion, what effect would it have?
- A. No effect.  
B. Fuse CCF opens.  
C. Car would run in up direction only.  
D. Car would run in down direction only.
40. What is the name of the steel framework in which the entire escalator is contained?
- A. Truss.  
B. Wellway.  
C. Track system.  
D. Outer decking.
41. What term is used for the panel, newels, handrail and deck which make up the sides of an escalator or moving walk?
- A. Buffer.  
B. Barrier.  
C. Barricade.  
D. Balustrade.
42. What is the brake used for on an elevator or escalator?
- A. To slow the movement of an elevator or escalator.  
B. To stop the movement of an elevator or escalator.  
C. To stop and hold the movement of the escalator or elevator.  
D. To slow the movement of an overloaded elevator or escalator.
43. What should be inspected when maintaining car slippers?
- A. Insert wear.  
B. Roller wear.  
C. Pivot bearing.  
D. Rail lubrication.

44. Where should lubrication never be used?
- A. Hoisting ropes.
  - B. Selector chains.
  - C. Governor ropes.
  - D. Sleeve bearings.
45. What procedure may be performed in order to obtain full pad to drum contact?
- A. Filing.
  - B. Grinding.
  - C. Sanding.
  - D. Polishing.
46. What is the best practice when wiring interlocks?
- A. Pull three uniquely coloured wires to identify positive, negative and ground.
  - B. Start the run of wires from the top of the hoistway to ensure excessive stretch will not occur.
  - C. Start the run of wires from the bottom of the hoistway to ensure excessive stretch will not occur.
  - D. Pull a loop of uniquely coloured wire from the machine room to the most remote interlock and then cut the loop at each interlock and make the connection.
47. What is the maximum value the relief valve can be adjusted to, if the system working pressure is 210 psi.?
- A. 289.0 psi.
  - B. 262.5 psi.
  - C. 315.0 psi.
  - D. 367.5 psi.



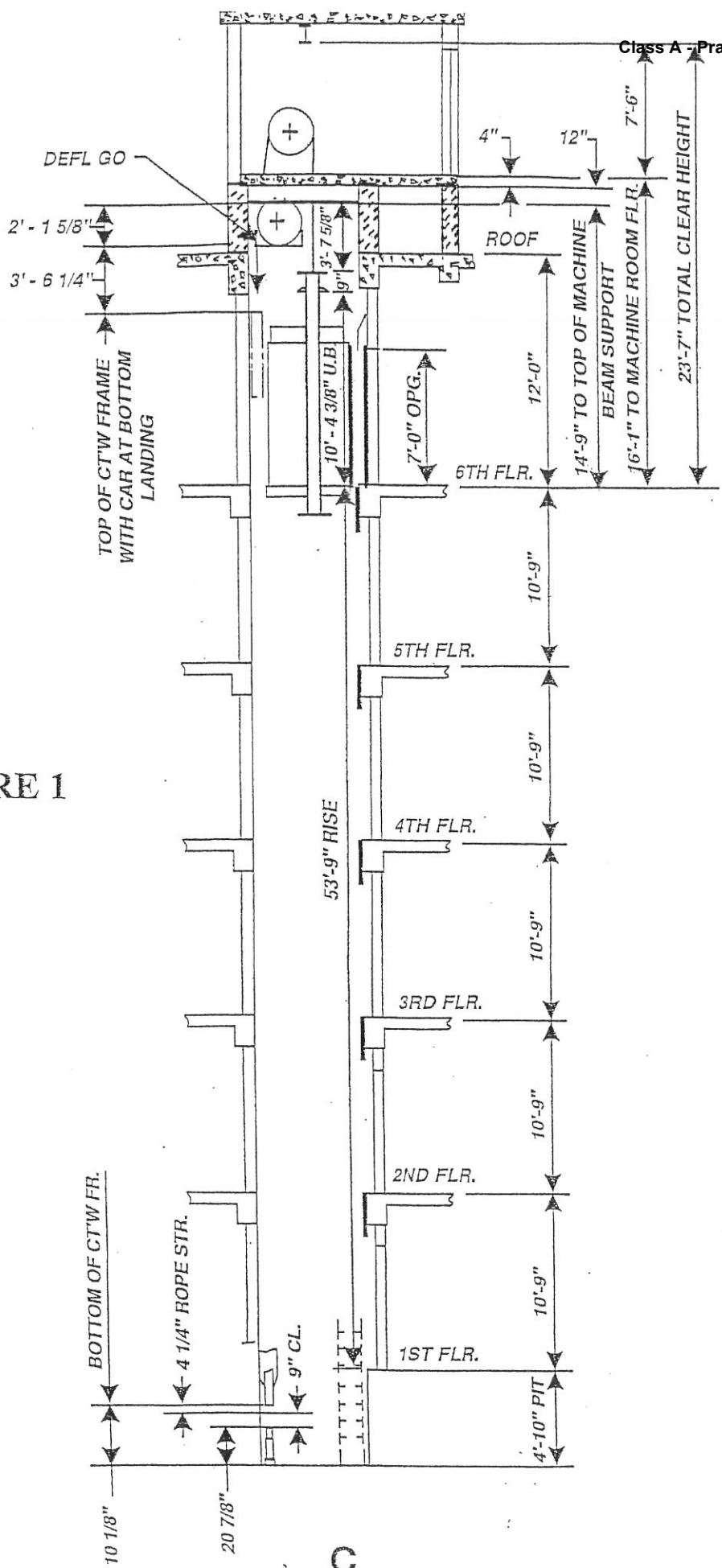


FIGURE 1

C  
ELEVATION VIEW



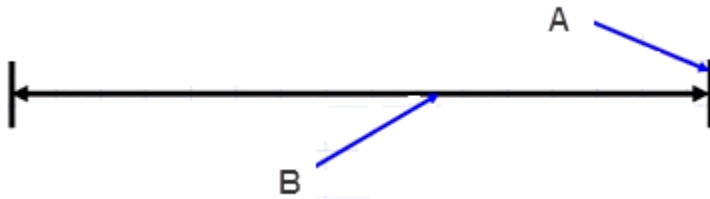


1. Upon first arrival of the crew to the construction worksite, what is the primary responsibility?
  - A. Bring in the rails.
  - B. Determine staging area.
  - C. Ensure adequate power supply.
  - D. Safety orientation and documentation.
  
2. Who has the primary responsibility for the mental and physical well being of the elevator worker?
  - A. The employer.
  - B. Elevator inspectors.
  - C. The elevator worker.
  - D. The Safety Authority.
  
3. At what height does a written fall protection plan become mandatory?

METRIC	IMPERIAL
A. 2.0 m	6 ft.
B. 3.0 m	10 ft.
C. 6.0 m	20 ft.
<input checked="" type="checkbox"/> D. 7.5 m	25 ft.
  
4. Who is responsible to provide employees with WHMIS training?
  - A. BCSA.
  - B. WorkSafeBC.
  - C. The employer.
  - D. The employee.
  
5. How many workers may be attached to a vertical lifeline?
  - A. 1
  - B. 2
  - C. 3
  - D. 4
  
6. What class of fire extinguisher should be used on a fire in electrical equipment?
  - A. A.
  - B. B.
  - C.
  - D. AB.
  
7. For scaffolds that are not tied in, outriggers must be used if the height of the scaffold exceeds the least scaffold base dimension by how many times?
  - A. 2 times.
  - B. 3 times.
  - C. 4 times.
  - D. 6 times.
  
8. A load consisting of 2 or more pieces of material over 3 m (10 ft.) long must be slung. What sling arrangement will keep the load horizontal during the lift?
  - A. 1 legged sling arrangement, wrapped around the load.
  - B. 2 legged sling arrangement, with each sling wrapped around the load.
  - C. 3 legged sling arrangement, with each sling wrapped around the load.
  - D. 4 legged sling arrangement, with each sling wrapped around the load.

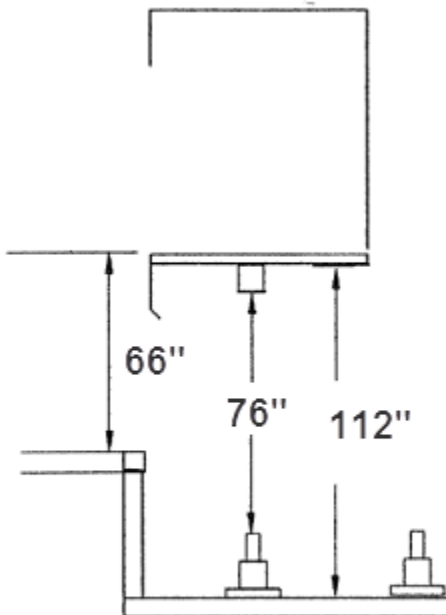
9. What is the maximum allowable number of broken wires randomly distributed through the strands of a wire rope used in hoisting?
- A. 1
  - B. 3
  - C. 6
  - D. 8
10. What feature should a meter have to reduce the loading effect of a voltmeter?
- A. An external shunt.
  - B. A high "ohms/volt" rating.
  - C. Low value of multiplier resistance.
  - D. A high "current for full-scale deflection" value.
11. A meter manufacturer advertises the accuracy of their meter as being 2%. Using this meter, what is a reading of 120 V on a 250 V scale?
- A. 115.0 v. to 125 v.
  - B. 117.6 v. to 122.4 v.
  - C. 118.8 v. to 121.2 v.
  - D. 120.0 v. to 125 v.
12. A digital multimeter with auto ranging is set on the ohm scale and has a reading of 2 M ohms. What resistance is indicated?
- A. 0.000,000,2 ohm
  - B. 2.0 ohm
  - C. 200,000.0 ohm
  - D. 2,000,000.0 ohm
13. What is 0.10 metre per second converted to ft. per min.?
- A. 20 ft. per min.
  - B. 40 ft. per min.
  - C. 50 ft. per min.
  - D. 200 ft. per min.
14. What amount of torque would develop if a force of 10 ft. lb. is placed on the end of a 2 ft. wrench?
- A. 10 ft. lb.
  - B. 15 ft. lb.
  - C. 20 ft. lb.
  - D. 25 ft. lb.
15. Which bearing is designed to withstand an axial load placed on the worm shaft?
- A. Load.
  - B. Spider.
  - C. Thrust.
  - D. Bonnet.

16. Refer to the figure below. What line is indicated by the letter B?



- A. Centre.
  - B. Hidden.
  - C. Dimension.
  - D. Extension.
17. Refer Figure 1, Elevation View at the end of the exam. What is the distance from the pit floor to the elevator cab floor when the elevator is level with the top landing?
- A. 10 ft. 4 3/8in.
  - B. 53 ft. 9 in.
  - C. 58 ft. 7 in.
  - D. 70 ft. 7 in.
18. At what tripping speed must a counterweight governor be set in relation to a car governor?
- A. 100% to 110%
  - B. 110% to 115%
  - C. 115% to 120%
  - D. 120% to 125%
19. B44 limits escalator incline to 30° ± how many degrees?
- A. 1°
  - B. 2°
  - C. 4°
  - D. 5°
20. What is one advantage of stranded wire over a solid wire?
- A. Cost.
  - B. Weight.
  - C. Ampacity.
  - D. Flexibility.
21. If a compensating sheave is **not** equipped with a tie-down device to limit the jump of the car or counterweight on buffer engagement, what is the maximum rated speed?
- | METRIC  | IMPERIAL     |
|---|--------------|
| A. 3.0 m/sec.                                     | 600 ft./min. |
| <input checked="" type="checkbox"/> B. 3.5 m/sec. | 700 ft./min. |
| C. 3.8 m/sec.                                     | 750 ft./min. |
| D. 4.0 m/sec.                                     | 800 ft./min. |
22. Basement mounted machines are required to have a foundation:
- A. That weights as much as the machine.
  - B. To support the increased weight of the machine.
  - C. To resist the up-thrust forces of the entire loaded elevator.
  - D. That is made of steel the same weight as the loaded elevator and counterweight.

23. The suspension ropes for a roped hydraulic elevator do not depend on traction:
- A. Therefore, they do not require cleaning.
  - B. Therefore, they do not require any lubrication.
  - C. Therefore, a heavy grease should be used on them.
  - D✓ However, they still need to be cleaned and lightly lubricated.
24. What is the term used for the pressure of a hydraulic elevator when lifting the car and its rated load at rated speed?
- A. Direct pressure.
  - B. Relief pressure.
  - C. Static pressure.
  - D✓ Working pressure.
25. What component is tested to determine that it will bypass the full output of a pump before pressure exceeds 150% of working pressure?
- A. Gate valve.
  - B✓ Relief valve.
  - C. Bypass valve.
  - D. Overspeed valve.
26. Refer to the figure below. The refuge space in this instance is where the 112 in. measurement is indicated. The buffer has a bottom stroke of 10 in. What is the bottom car vertical clearance in the refuge space?



Bottom Runby and Clearance

- A✓ 26 in.
- B. 34 in.
- C. 36 in.
- D. 46 in.

27. What is required when assembling the car frame for a direct-plunger hydraulic elevator?
- A. The car guide rails are installed last.
  - B. The car enclosure is placed in the hoistway first.
  - C✓ The plunger cylinder installation must be complete.
  - D. The plunger cylinder is installed after the car frame is assembled.
28. What is a requirement for a shut-off valve in the hydraulic supply line of a hydraulic elevator?
- A✓ Be manually operated.
  - B. Be electronically activated.
  - C. Not greater than 6 ft. above the floor.
  - D. Not greater than 8 ft. above the floor.
29. Using ohm's law, what is the power developed in a circuit with the total resistance being 1.2 ohms at 240 volts?
- A. 28.8 w.
  - B. 576.0 w.
  - C✓ 48,000.0 w.
  - D. 69,120.0 w.

30. Refer to the figure below. What electrical component is represented?



- A. Fuse.
  - B. TRIAC.
  - C. Transistor.
  - D✓ Transformer.
31. Four resistors,  $12\ \Omega$  each, are connected in parallel. This group is connected to a 120 v source. What is the current in the line leading to the group of resistors?
- A✓ 40 a.
  - B. 50 a.
  - C. 120 a.
  - D. 180 a.
32. What type of diode is used as a voltage regulator to keep the output voltage of a power supply constant under varying load conditions?
- A✓ Zener.
  - B. Photo.
  - C. Standard.
  - D. Light emitting.
33. Refer to the figure below. What electrical component is represented?



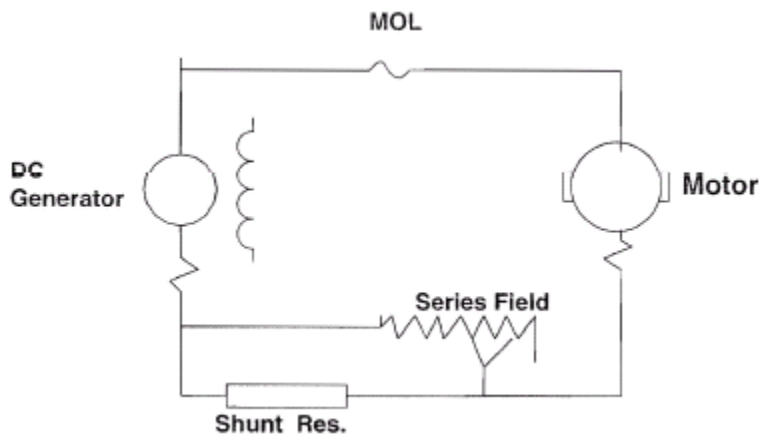
- A. Lamp.
- B✓ Fixed resistor.
- C. Potentiometer.
- D. Variable resistor.



34. During generator action, when a loop of wire rotates to a point between two opposing magnetic poles where no magnetic lines of force are being cut, what voltage level will be produced?
- A✓ Zero.
  - B. Variable.
  - C. Fractional.
  - D. Maximum.

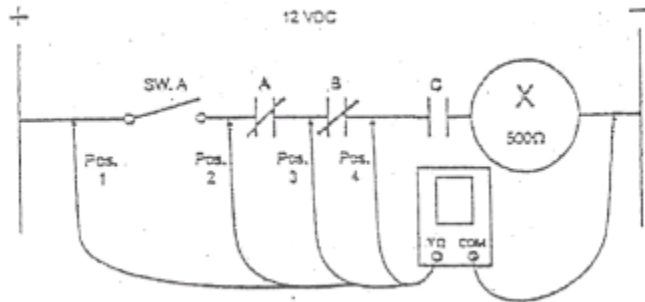
35. Which solid state device would be used to power a DC hoist motor?
- A. Diode.
  - B. Varistor.
  - C. Selenium rectifier.
  - D✓ Silicon controlled rectifier.

36. Refer to the figure below. What part of a generator field control does the circuit represent?



- A✓ Loop circuit.
  - B. Safety string.
  - C. Suicide circuit.
  - D. Generator field circuit.
37. What must be done after using jumpers and before returning equipment to service?
- A. Note in the log book.
  - B. Test the lighting circuit.
  - C✓ Remove and count all jumpers.
  - D. Be sure the jumper wiring is neatly in place.

38. Refer to the figure below. The meter function switch is set to the 20v DC range. What would the meter read with the V ohm lead in position 1?



- A. 0 volts.  
B. .02 amps.  
C✓ 12 VDC.  
D. 500 ohms.
39. Refer to the SAPB drawings Pages 1 and 2. at the end of the exam. If P relay coil shorts when the car is in motion, what effect would it have?
- A. No effect.  
B✓ Fuse CCF opens.  
C. Car would run in up direction only.  
D. Car would run in down direction only.
40. What is the name of the steel framework in which the entire escalator is contained?
- A✓ Truss.  
B. Wellway.  
C. Track system.  
D. Outer decking.
41. What term is used for the panel, newels, handrail and deck which make up the sides of an escalator or moving walk?
- A. Buffer.  
B. Barrier.  
C. Barricade.  
D✓ Balustrade.
42. What is the brake used for on an elevator or escalator?
- A. To slow the movement of an elevator or escalator.  
B. To stop the movement of an elevator or escalator.  
C✓ To stop and hold the movement of the escalator or elevator.  
D. To slow the movement of an overloaded elevator or escalator.
43. What should be inspected when maintaining car slippers?
- A✓ Insert wear.  
B. Roller wear.  
C. Pivot bearing.  
D. Rail lubrication.

44. Where should lubrication never be used?
- A. Hoisting ropes.
  - B. Selector chains.
  - C✓ Governor ropes.
  - D. Sleeve bearings.
45. What procedure may be performed in order to obtain full pad to drum contact?
- A. Filing.
  - B. Grinding.
  - C✓ Sanding.
  - D. Polishing.
46. What is the best practice when wiring interlocks?
- A. Pull three uniquely coloured wires to identify positive, negative and ground.
  - B. Start the run of wires from the top of the hoistway to ensure excessive stretch will not occur.
  - C. Start the run of wires from the bottom of the hoistway to ensure excessive stretch will not occur.
  - D✓ Pull a loop of uniquely coloured wire from the machine room to the most remote interlock and then cut the loop at each interlock and make the connection.
47. What is the maximum value the relief valve can be adjusted to, if the system working pressure is 210 psi.?
- A. 289.0 psi.
  - B. 262.5 psi.
  - C✓ 315.0 psi.
  - D. 367.5 psi.

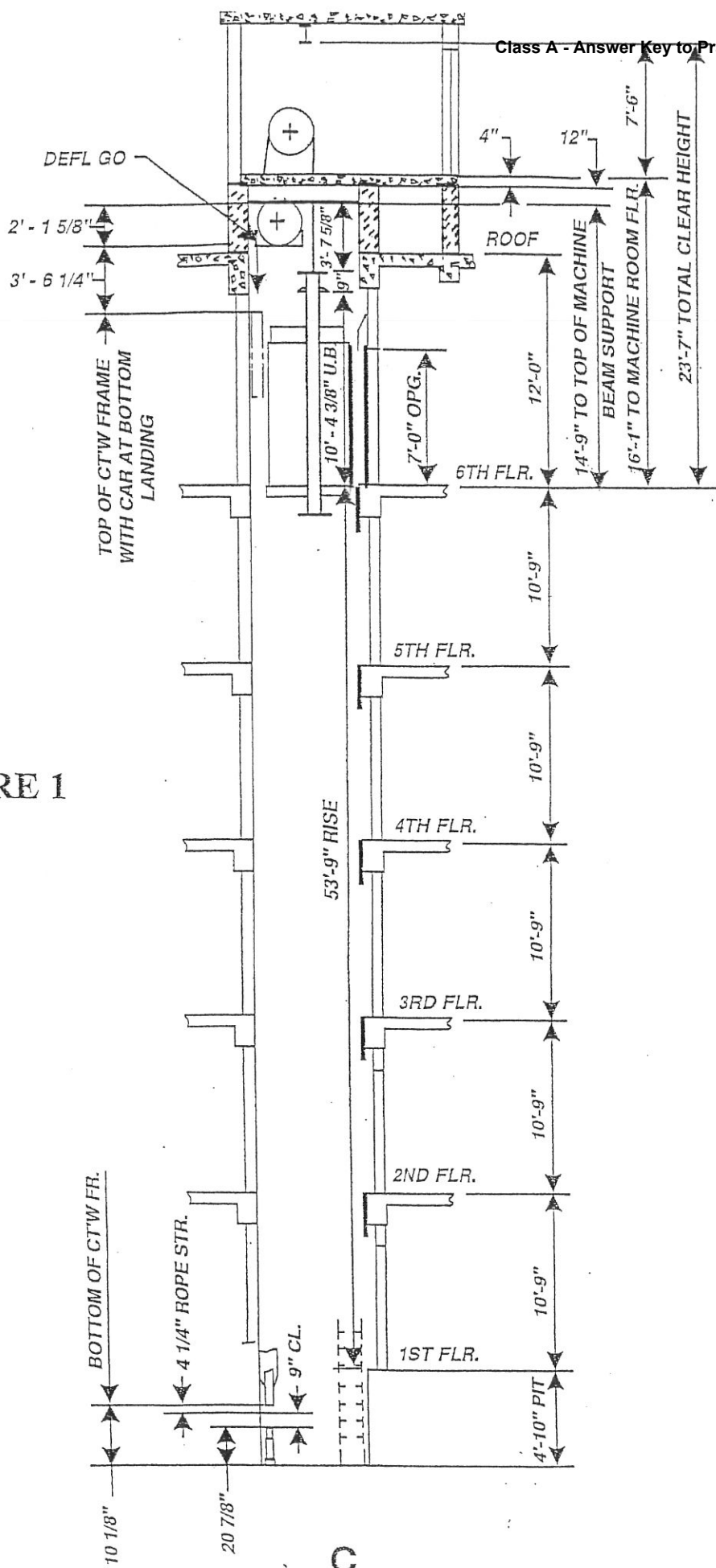
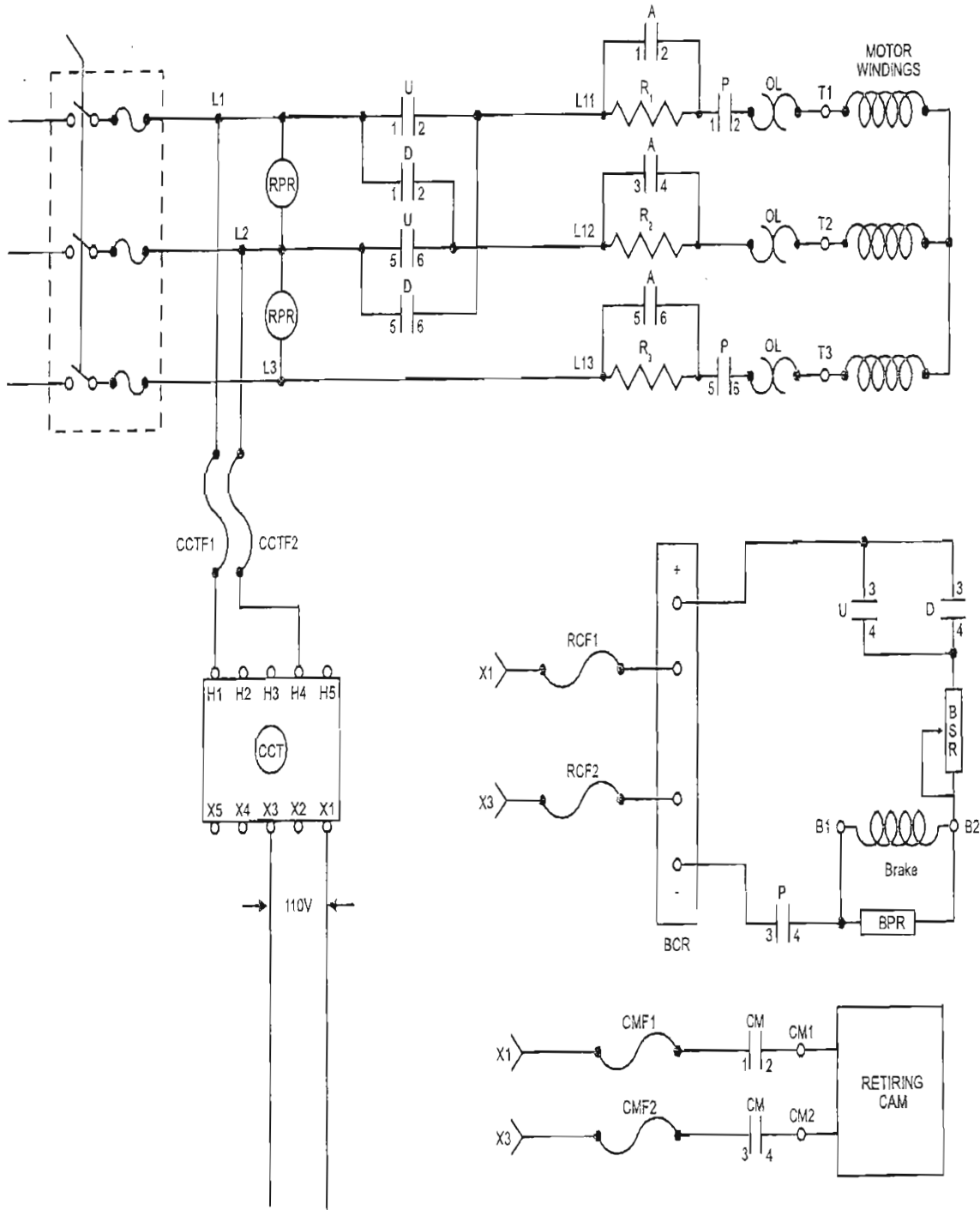


FIGURE 1

C  
ELEVATION VIEW

SINGLE AUTOMATIC PUSHBUTTON (SAPB) WIRING DIAGRAM PAGE 1

Loc.  
1



SINGLE AUTOMATIC PUSH BUTTON (SAPB) WIRING DIAGRAM PAGE 2

Loc.  
2

