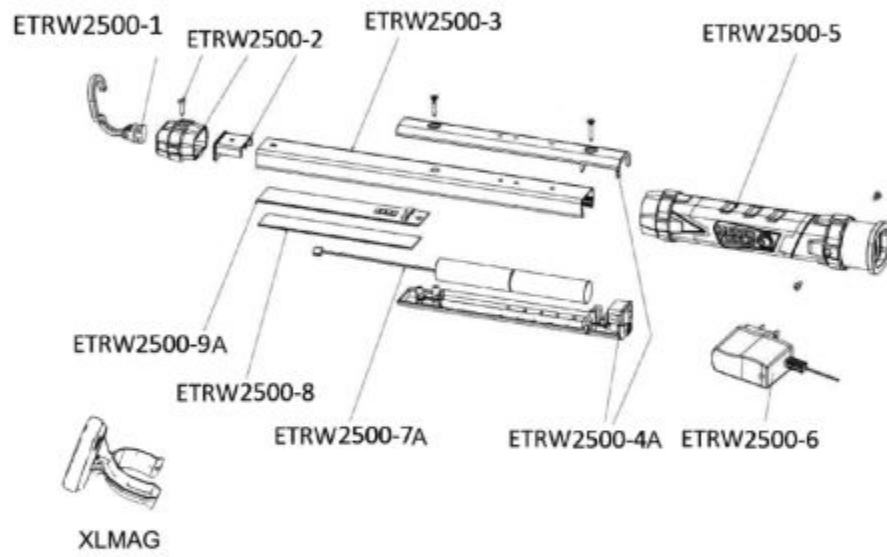


RWL2500A - 3W COB WORK LIGHT - RED



Item: RWL2500A

Description: 3W COB WORK LIGHT - RED

Notes: N/A

Figure No	Part Number	Description	No. Reqd	Warranty Code
1	ETRW2500-1	REPLACEMENT HOOK F/RWL2500	1	D
2	ETRW2500-2	CAP,INSERT, & SCREW F/RWL2500	1	D
3	ETRW2500-3	ALUMINUM BOARD F/RWL2500	1	D
4	ETRW2500-4A	ON/OFF ASMBLY SWITCH CHRГ PORT	1	J
5	ETRW2500-5	HANDLE W/SCREWS F/RWL2500	1	D
6	ETRW2500-6	AC CHARGER F/RWL2500	1	D
7	ETRW2500-7	LI ION BATTERY F/RWL2500	1	D
8	ETRW2500-8	PC LENS F/RWL2500	1	D
9	ETRW2500-9A	COB LED PCB ASSEMBLY	1	J
10	ETXLMAG	UNIVERSAL MAGNETIC CLIP	1	J