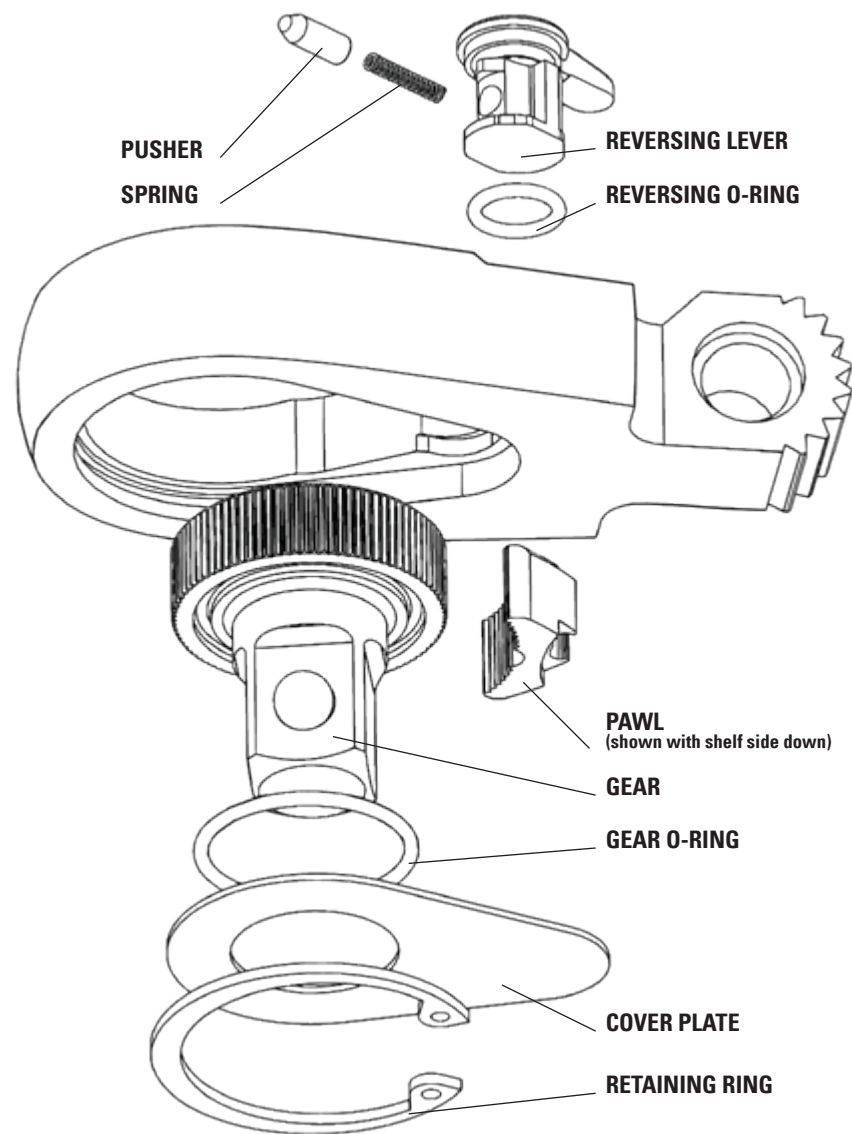


RATCHET REPAIR KITS

EIGHTY8 TOOTH RATCHET HEAD REPAIR KIT

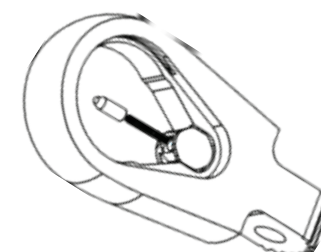
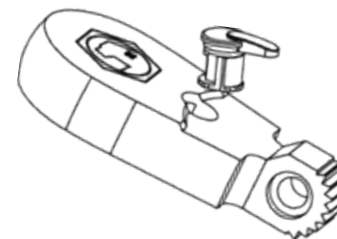
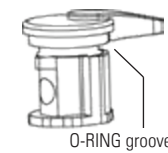
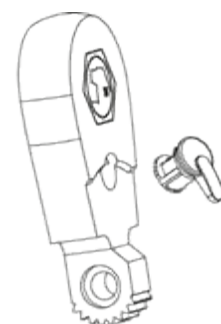
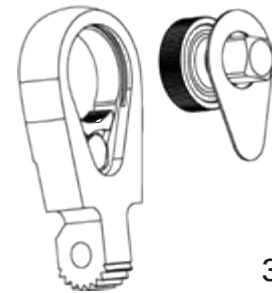
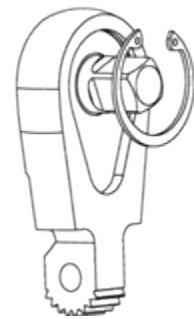


www.matcotools.com

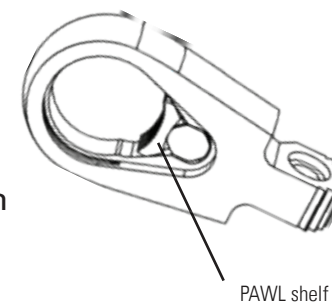


DISASSEMBLY:

1. Secure the handle in a vise with the square drive facing upwards. Wipe down the retaining plate and retaining ring with a dry cloth.
2. Remove the retaining ring from the handle using snap ring pliers.
3. Remove the gear and retaining plate from the handle by pulling on the square end of the gear.
4. Take out the pawl, pusher, and spring.
5. Remove the reversing lever from the top of the handle by tilting it out.
6. Remove any debris and clean the inside of the handle by spraying a thin film penetrating lubricant, such as WD-40™, into it.

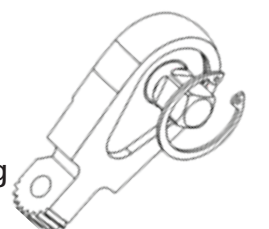
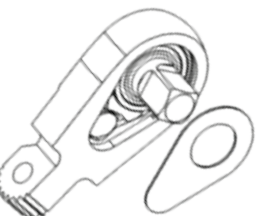
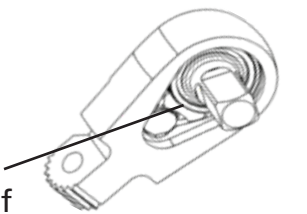


HEAD close up



ASSEMBLY:

1. Use all the new components in the kit.
2. Place the o-ring for the reversing lever onto the groove below the lever on the reversing lever.
3. Place the gear o-ring into the groove at the base of the square gear.
4. Install the reversing lever by tilting it forward as it is inserted into the opening of the handle.
5. Place the spring into the pusher and insert the spring-first assembly into the reversing lever.
6. Place the pawl over the pusher and press it towards the reversing lever. The shelf on the pawl should face outward.
7. Press the pawl against the reversing lever with your thumb and insert the gear into the handle.
8. Add 5 to 10 drops of Marvel Mystery Oil onto the gear and pawl as indicated.
9. Ensure that all components are securely in place and install the cover plate.
10. Insert the retaining ring using snap ring pliers, with the gap facing away from the handle and the sharp edge facing outward.
11. Verify the functionality by turning the gear and reversing lever in both directions. The ratcheting action should be smooth and consistent in both directions, without any binding.



RRC618B

2305071-25

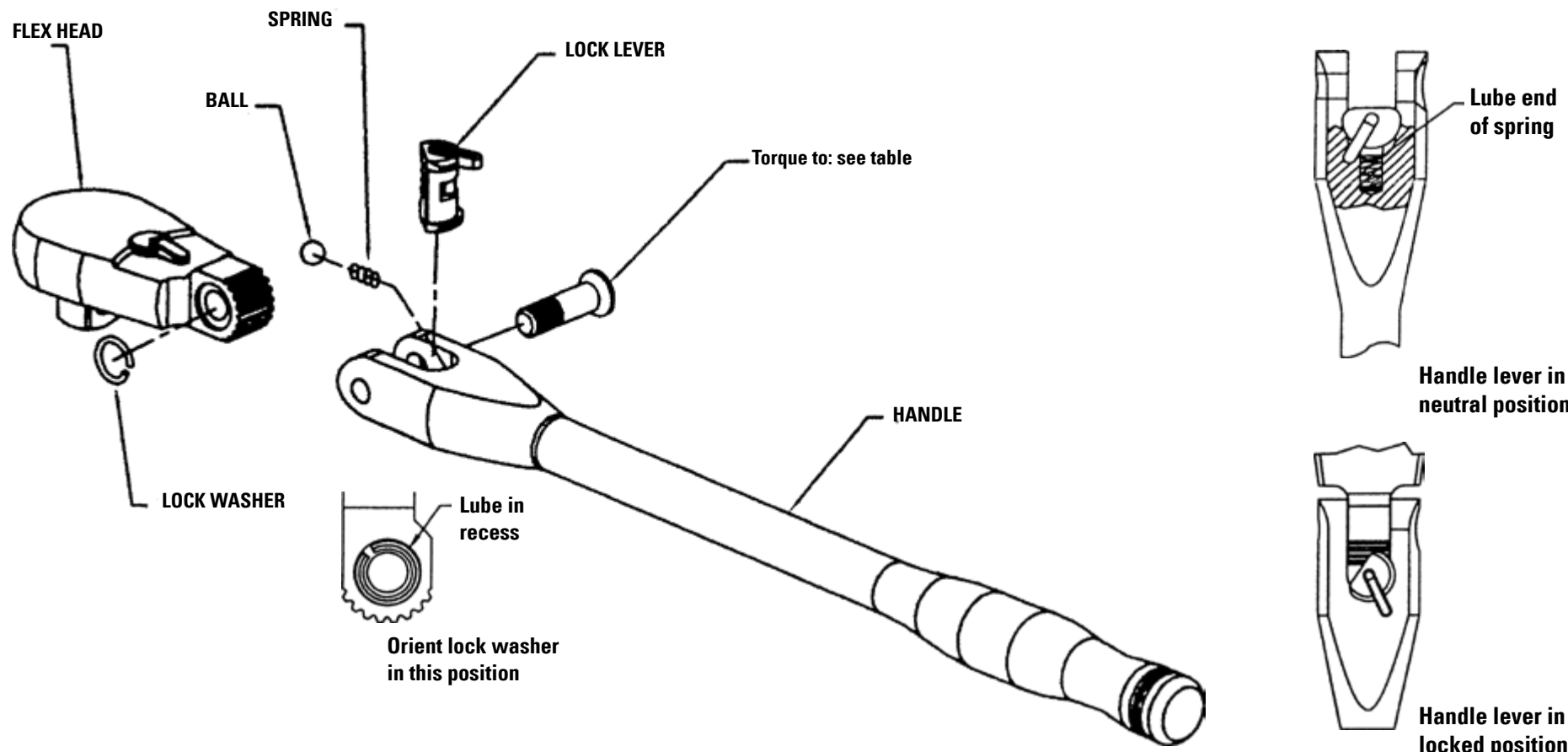


CAUTION! ALWAYS WEAR EYE PROTECTION WHILE REPAIRING RATCHET!



RATCHET REPAIR KITS

EIGHTY8 TOOTH LOCKING FLEX REPLACEMENT HEAD EIGHTY8 TOOTH LOCKING FLEX JOINT KIT



CAUTION! Take care, as spring and ball are held in lock lever and may fall out once disassembled.

DISASSEMBLY:

1. Secure the handle in a vise with the handle facing upwards.
2. Use the appropriate hex key to unscrew the screw from the handle.
3. Take out the lock lever from the handle.
4. Detach the ball and spring.
5. Clean the handle slot by removing any debris and applying a penetrating lubricant, such as WD-40™, to it.

ASSEMBLY:

1. Utilize all the new components in the kit.
2. Place the spring inside the handle and lubricate its end.
3. Put the lock lever over the ball and spring, with the stem of the handle facing left.
4. Apply Marvel Mystery Oil to the cavity on the tang of the flex head assembly.
5. Adjust the torque to the specified value in the charts.
6. Install the screw handle and tighten it with the appropriate hex key.
7. Note: The flex head assembly should move freely to the up and down positions without binding.
8. Confirm the lock lever's engagement with the flex head assembly by moving the stem of the lock lever to the right. The flex head assembly should lock in place. If necessary, adjust the position of the flex head assembly so that the teeth are engaged and the lever is in the locked position.

RATCHET MODEL:	RATCHET REPAIR KIT:	RATCHET MODEL:	RATCHET REPAIR KIT:	LOCKING FLEX REP. HEAD:	LOCKING FLEX JOINT KIT:	HEX KEY:	TORQUE SPEC:
1/4" Fixed AFR58/B/G/M/P/R AFR88/G/M/P/R AFR118/B/G/M/R	1/4" Fixed AFR8TKA AFR8TKA AFR8TKA	1/4" Flex AFR48LF AFR68BLFB/G/M/P/R AFR68LF/B/G/M/P/R AFR98LF/B/G/M/P/R AFR128LF/B/G/M/P/R	1/4" Flex AFR8TKA	1/4" Flex AFR8TKHA AFR6TKHB AFR8TKHA	1/4" Flex AFRTKCA	1/4" Flex 1/8"	1/4" Flex 70–120 in-lb
3/8" Fixed BFR48 BFR58 BFR88/B/G/M/P/R BFR118/B/G/M/P/R BFR118BPT BFR118GOLD BFR158/G/M/R BFR158BBF BFR188/G/M/R BFR118SP	3/8" Fixed BFR8TKA BFR5TK BFR8TKA BFR8TKA BFR8TKA BFR8TKA BFR8TKA BFR8TKA BFR8TKA BFR8TKA BFR8SPH	3/8" Flex BFR68LF BFR128BLF/B/G/M/P/R BFR128NLF/B/G/M/P/R BFR128LF/B/G/M/P/R BFR158LF/B/G/M/P/R BFR188LF/B/G/M/P/R	3/8" Flex BFR8TKA	3/8" Flex BFR8TKHA BFR12TKHB BFR12TKHN BFR8TKHA BFR8TKHA BFR8TKHA	3/8" Flex BFRTKCC	3/8" Flex 5/32"	3/8" Flex 325–385 in-lb
1/2" Fixed CFR108 CFR158/B/G/M/P/R CFR248/G/M/R	1/2" Fixed CFR8TKD CFR8TKD CFR8TKD	1/2" Flex CFR178LF/B/G/M/P/R CFR248BLFB/G/M/P/R CFR248LF/B/G/M/P/R CFR308LF/B/G/M/P/R	1/2" Flex CFR8TKD	1/2" Flex CFR8TKHA CFR24TKHB CFR8TKHA CFR8TKHA	1/2" Flex CFRTKCB	1/2" Flex 3/16"	1/2" Flex 685–755 in-lb

2305071-25

CAUTION! ALWAYS WEAR EYE PROTECTION WHILE REPAIRING RATCHET!