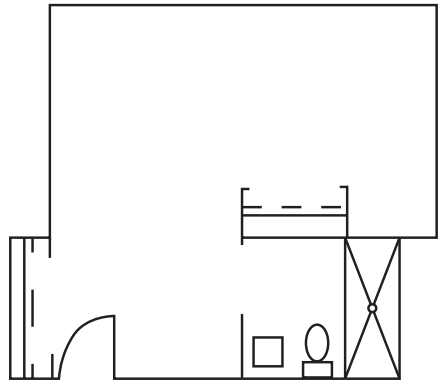
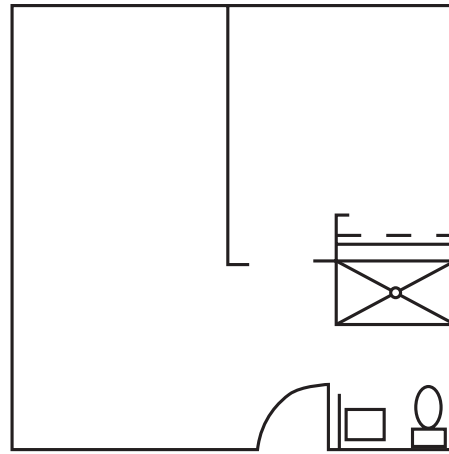


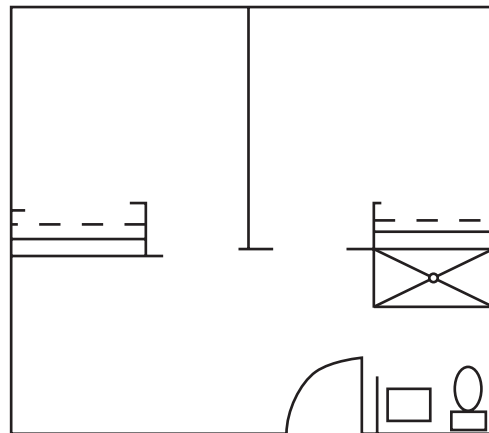
# ASSISTED LIVING | SUITES



**STUDIO**  
340 SQ FT



**ONE BEDROOM**  
380 SQ FT



**TWO BEDROOM**  
380 SQ FT

*All square footage is approximate & subject to availability.*



B

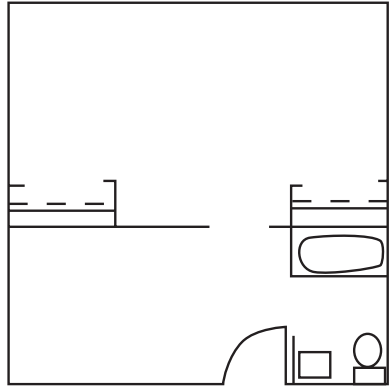
**BRANDYWINE**

SENIOR SUITES  
PERSONAL CARE AND MEMORY CARE

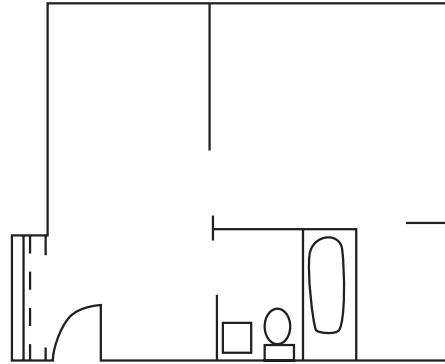
2101 NEW HOPE STREET  
EAST NORRITON, PA 19401  
610.272.6200  
WWW.RUI.NET



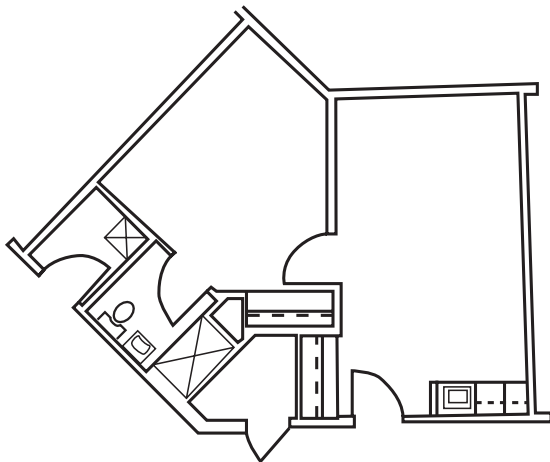
# ASSISTED LIVING | SUITES



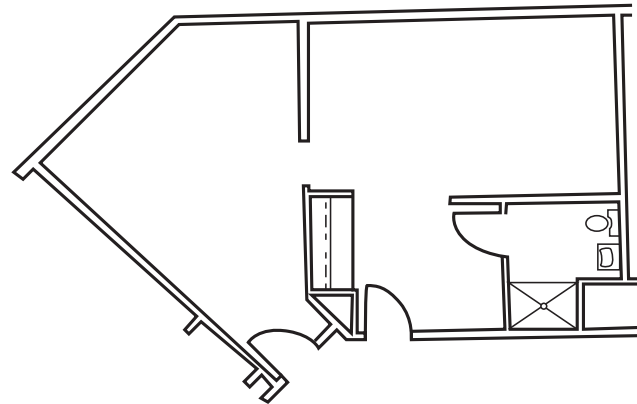
**ONE BEDROOM II**  
380 SQ FT



**ONE BEDROOM III**  
450 SQ FT



**ONE BEDROOM DELUXE**  
465 SQ FT



**ONE BEDROOM DELUXE II**  
620 SQ FT



**BRANDYWINE**

SENIOR SUITES  
PERSONAL CARE AND MEMORY CARE

2101 NEW HOPE STREET  
EAST NORRITON, PA 19401  
610.272.6200  
WWW.RUI.NET



*All square footage is approximate & subject to availability.*