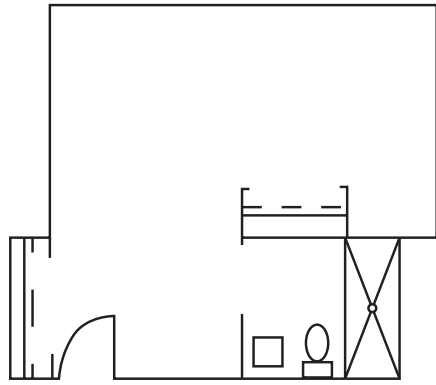
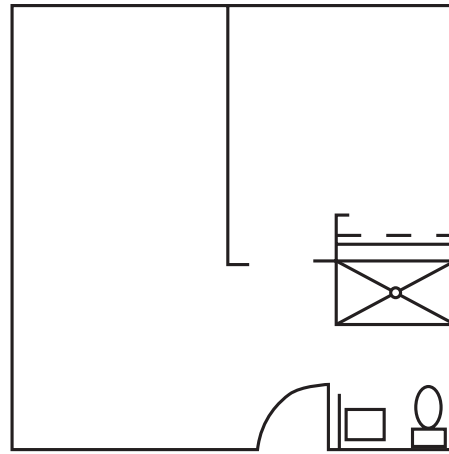


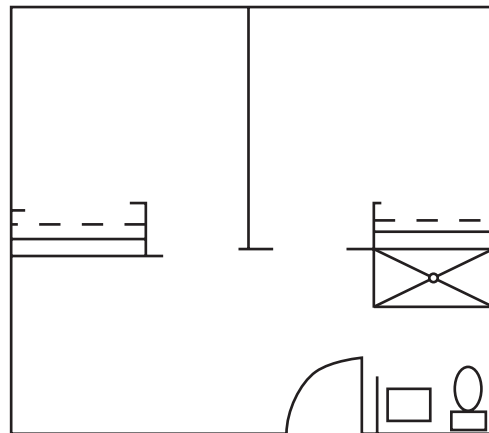
ASSISTED LIVING | SUITES



STUDIO
340 SQ FT



ONE BEDROOM
380 SQ FT



TWO BEDROOM
380 SQ FT

All square footage is approximate & subject to availability.



B

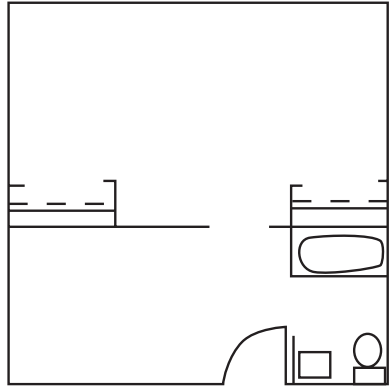
BRANDYWINE

SENIOR SUITES
PERSONAL CARE AND MEMORY CARE

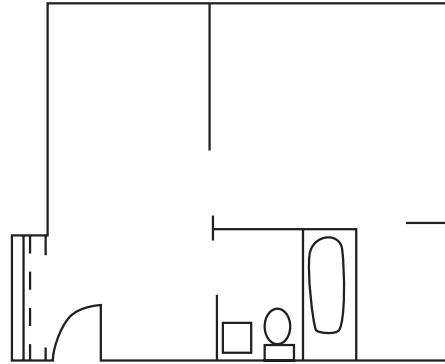
2101 NEW HOPE STREET
EAST NORRITON, PA 19401
610.272.6200
WWW.RUI.NET



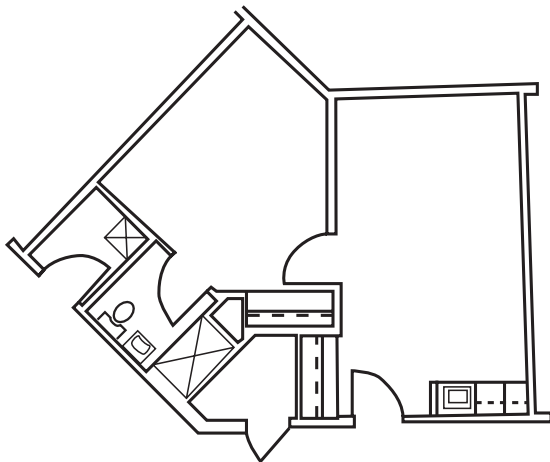
ASSISTED LIVING | SUITES



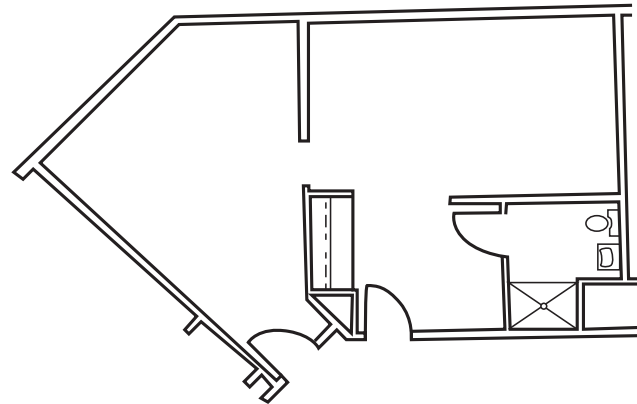
ONE BEDROOM II
380 SQ FT



ONE BEDROOM III
450 SQ FT



ONE BEDROOM DELUXE
465 SQ FT



ONE BEDROOM DELUXE II
620 SQ FT



BRANDYWINE

SENIOR SUITES
PERSONAL CARE AND MEMORY CARE

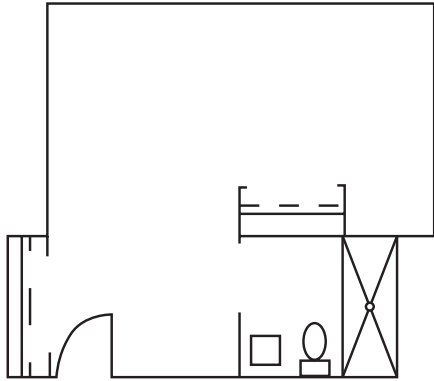
2101 NEW HOPE STREET
EAST NORRITON, PA 19401
610.272.6200
WWW.RUI.NET



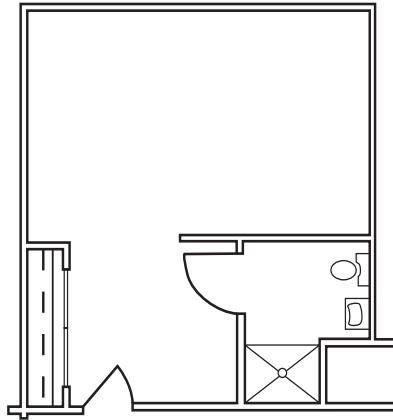
All square footage is approximate & subject to availability.



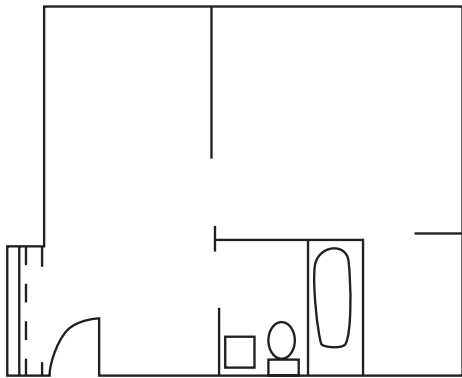
MEMORY CARE | SUITES



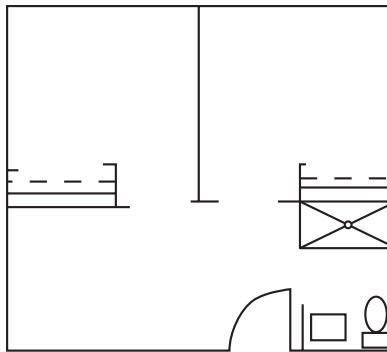
STUDIO
340 SQ FT



STUDIO DELUXE
390 SQ FT



ONE BEDROOM
380-450 SQ FT



**COMPANION
SEMI-PRIVATE**
380 SQ FT



B

BRANDYWINE

SENIOR SUITES
PERSONAL CARE AND MEMORY CARE

2101 NEW HOPE STREET
EAST NORRITON, PA 19401
610.272.6200
WWW.RUI.NET



All square footage is approximate & subject to availability.