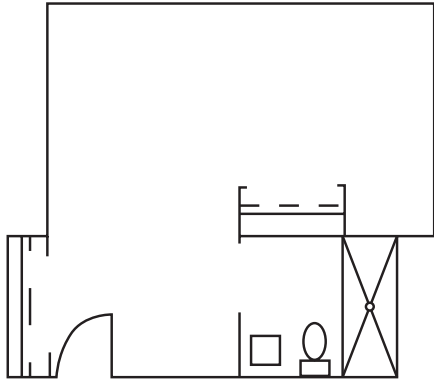
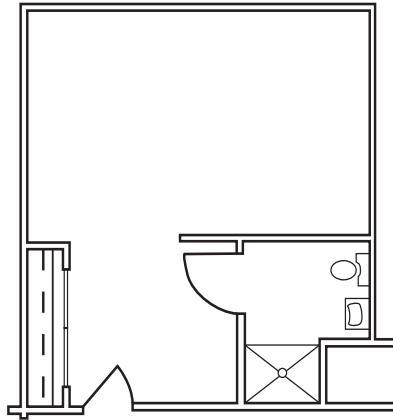




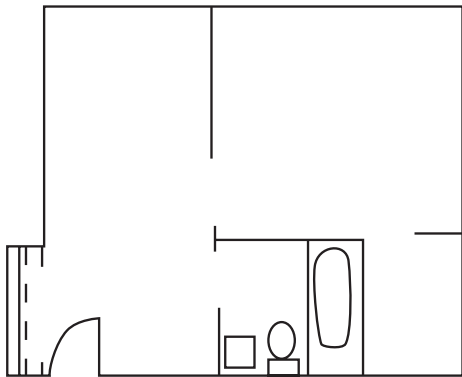
## MEMORY CARE | SUITES



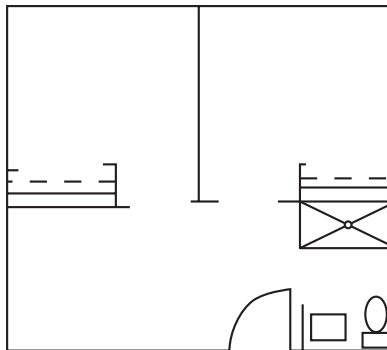
**STUDIO**  
340 SQ FT



**STUDIO DELUXE**  
390 SQ FT



**ONE BEDROOM**  
380-450 SQ FT



**COMPANION  
SEMI-PRIVATE**  
380 SQ FT



B

## BRANDYWINE

SENIOR SUITES  
PERSONAL CARE AND MEMORY CARE

2101 NEW HOPE STREET  
EAST NORRITON, PA 19401  
610.272.6200  
WWW.RUI.NET



All square footage is approximate & subject to availability.