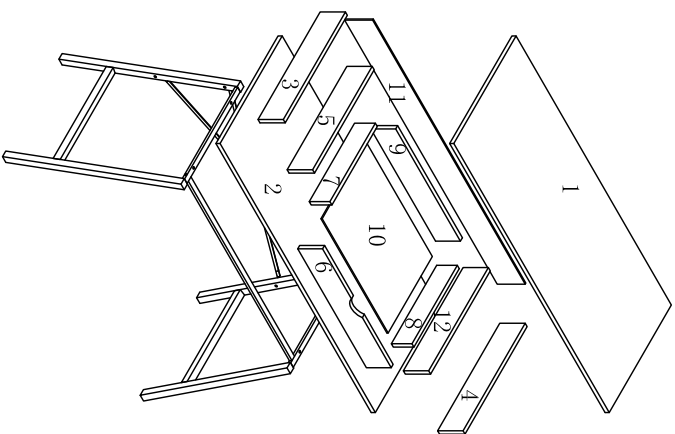
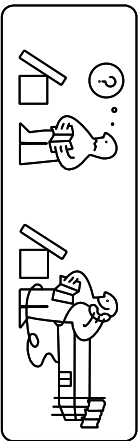
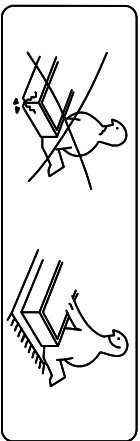
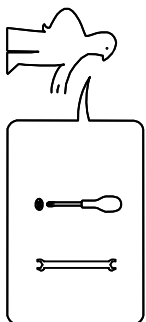
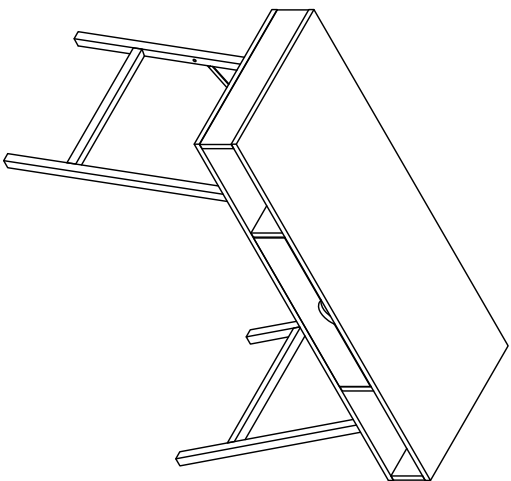


INSTRUCTION

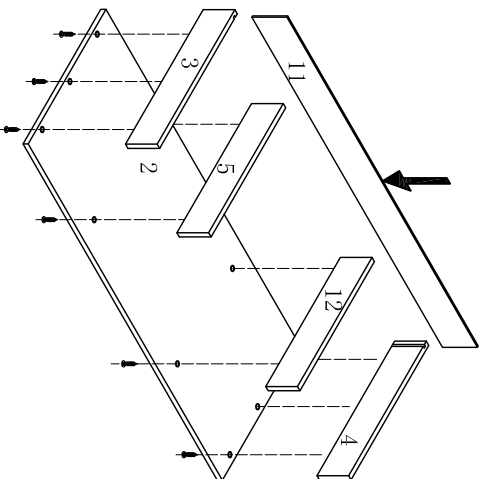
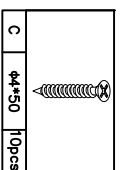


BOARD NO.	SIZE	QTY
1	1100/1200*480*16	1
2	1100/1200*480*16	1
3	479*100*16	1
4	479*100*16	1
5	462*100*16	1
6	524*96*16	1
7	350*80*16	1
8	350*80*16	1
9	490*95*16	1
10	500*340*5	1
11	1075/1175*110*5	1
12	462*100*16	1

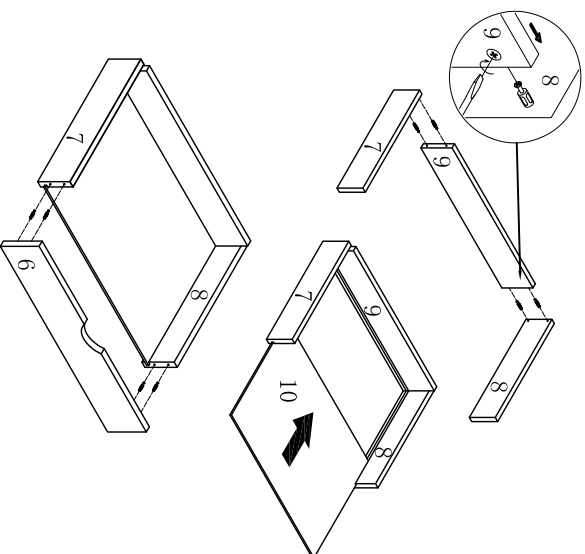
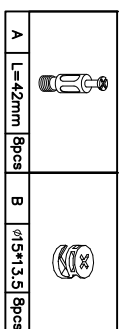
SCREWS

A	L=42mm 8pcs	B	φ15*13.5 8pcs	C	φ4*50 10pcs
D	M4	E	M6*10	F	/
G	M4*25	H	M6*12	I	M6*25
J	M6*20	K	/	L	M6*30
M	T5*25*15	N	10MM	O	M4*14

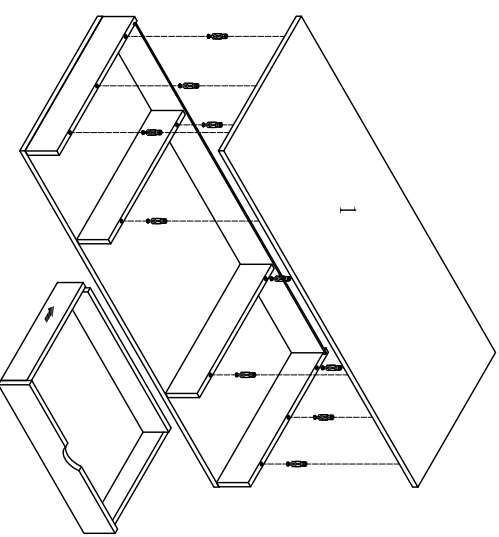
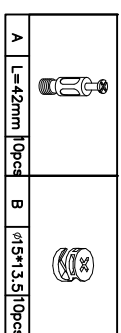
STEP 1:



STEP 2:

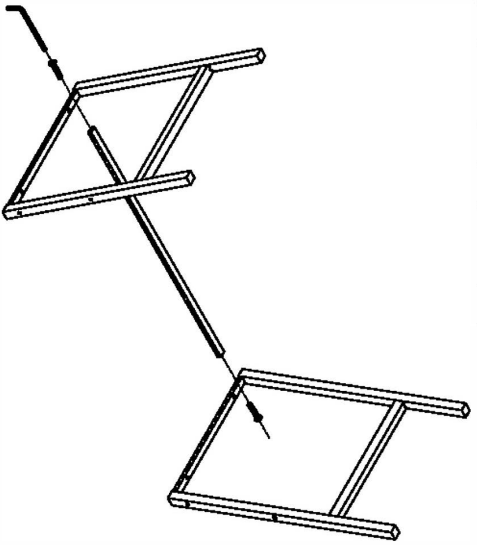


STEP 3:



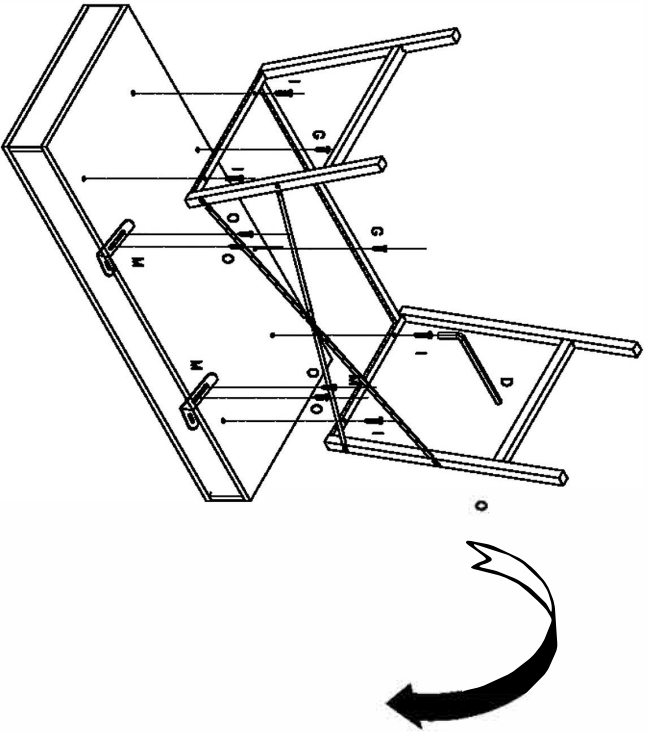
STEP 4:

D	1pc	L	1pc	1pc	2pcs	K	/	1pc
---	-----	---	-----	-----	------	---	---	-----



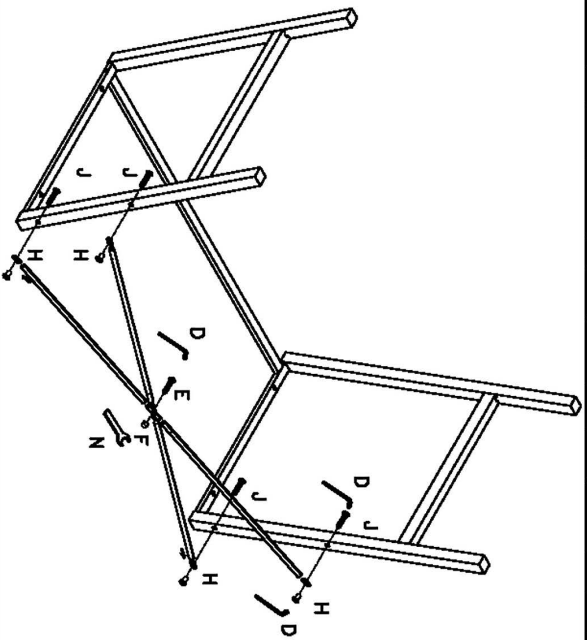
STEP 6:

Q	1pc	I	1pc	D	1pc	O	1pc	1pc	1pc	1pc	1pc
---	-----	---	-----	---	-----	---	-----	-----	-----	-----	-----



STEP 5:

E	1pc	F	1pc	H	1pc	J	1pc	M	1pc	N	1pc
---	-----	---	-----	---	-----	---	-----	---	-----	---	-----



STEP 7:

Finish

