

TUTORIAL

PAPER PUMPKIN
CANDLE HOLDER



TUTORIAL

PAPER PUMPKIN



MATERIALS & TOOLS

- Cardboard (180g-300g / 90lb-110lb cover): orange and green.
- Stationery knife or scissors.
- Surface for cutting (something to avoid ruining the surface when cutting, if you use a stationery knife. For example, a cutting mat or a piece of plywood).
- Ruler (most convenient to use a metal ruler).
- Glue or tape. You can use them to attach the matching numbered parts together. We recommend using PVA glue. Choose a tube of glue with a thin spout or apply the glue to the parts using a small paint brush.
- Printer to print the templates.

TUTORIAL

PAPER PUMPKIN

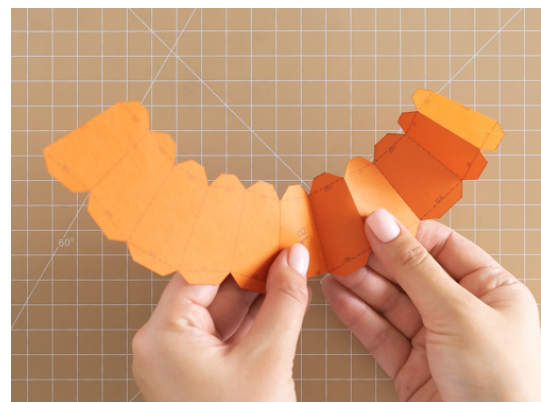
INSTRUCTION



1. Print the templates on cardboard. Cut out all the details with a stationery knife or scissors.

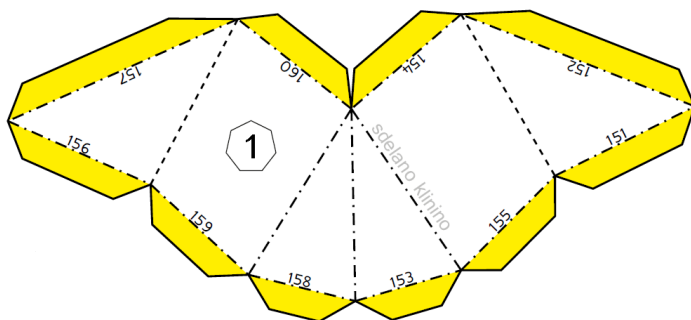


2. Prepare fold lines with the back of a stationery knife or a non-writing pen. Push out the lines, but not cut through.

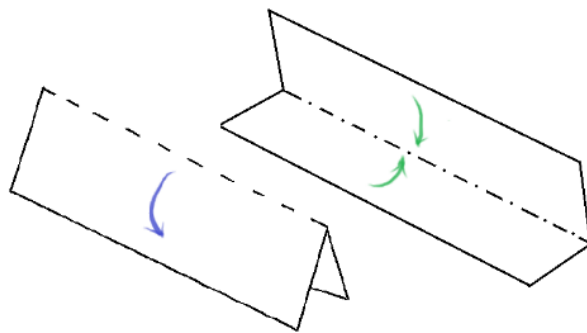


3. Bend the cardboard along the lines.

Symbols and lines meaning



Solid line is the border of a detail. Cut out along this line. Valves are highlighted in yellow at the example. Use it to glue one detail to the next one.



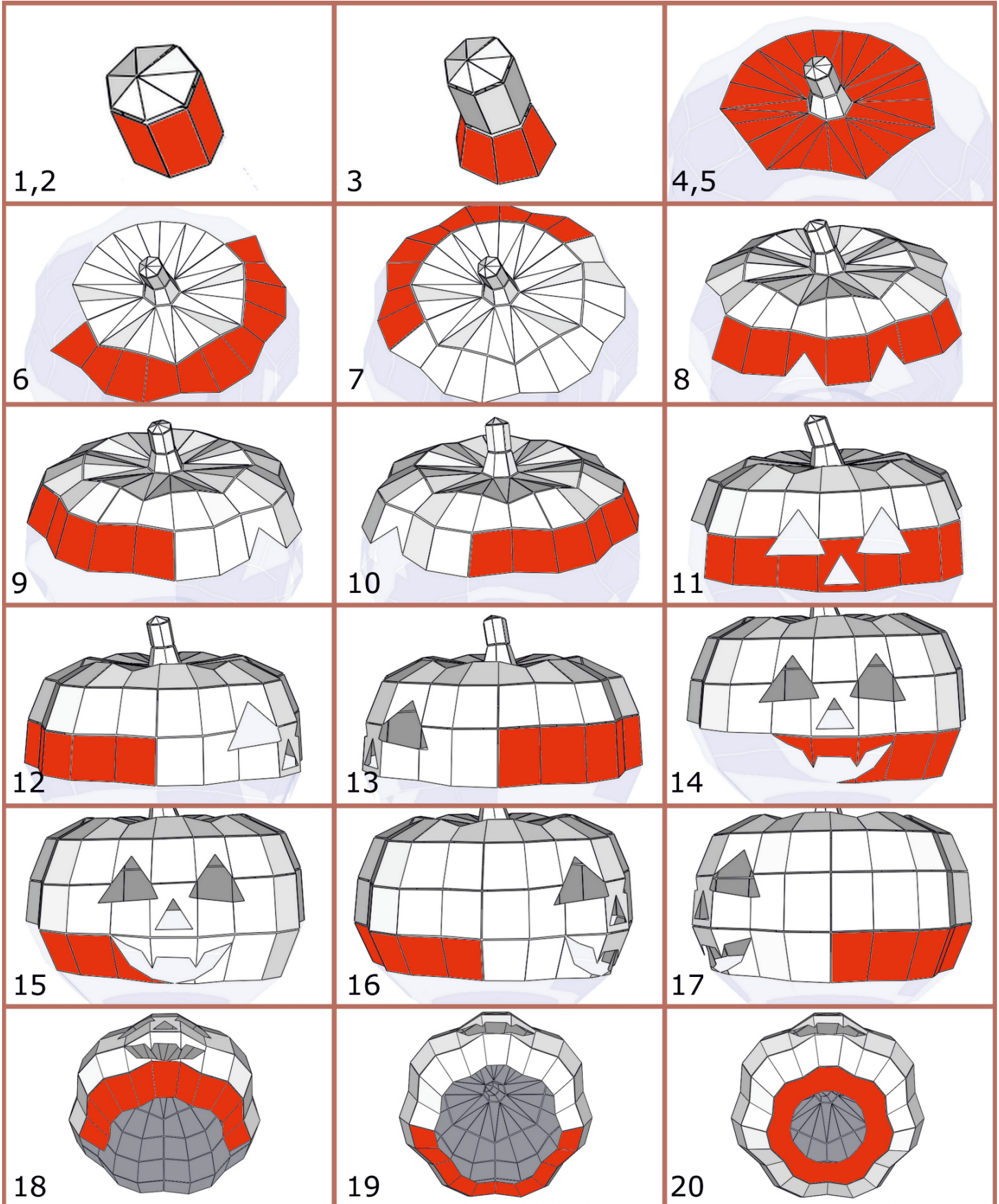
Dash-dotted line - fold line on ITSELF.
Dotted line - fold line FROM ITSELF.

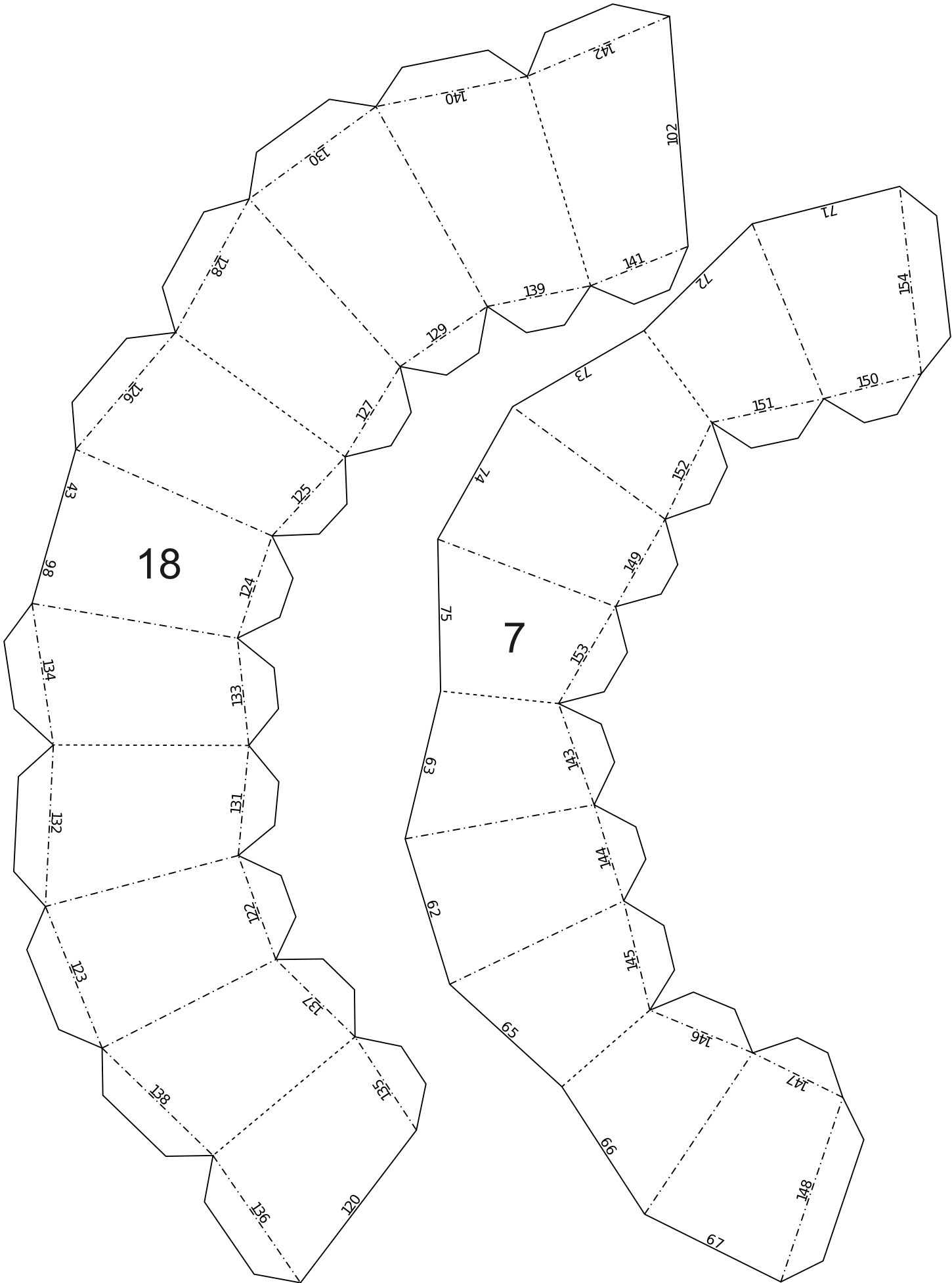
Important!

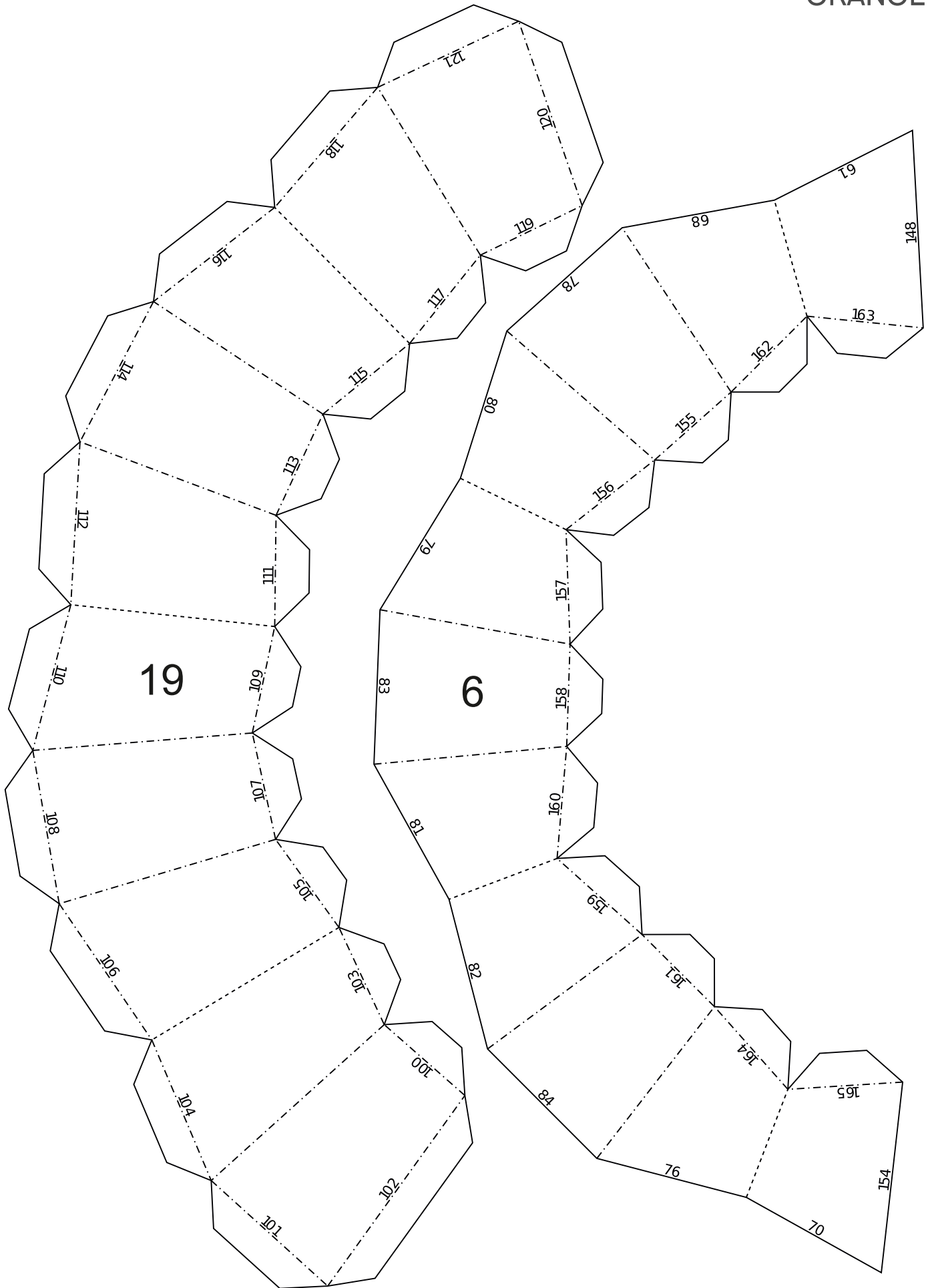
- Glue together the faces of details with the same small numbers.
- All symbols and lines should remain inside the model.
- Every detail is marked with a large number. Use these numbers to follow the instruction on the next page.

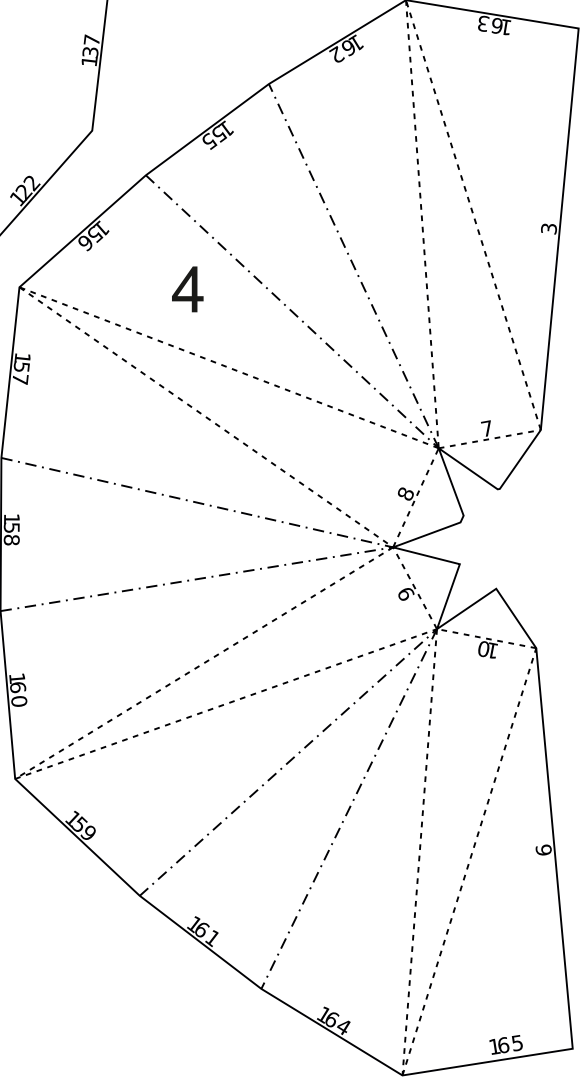
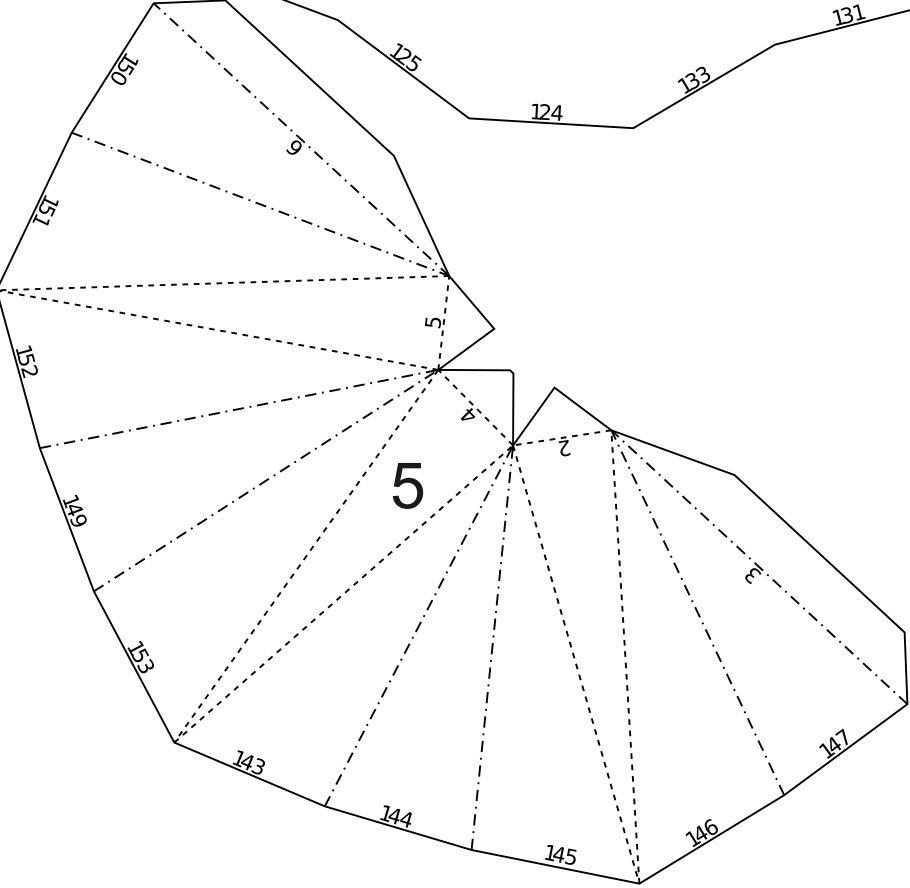
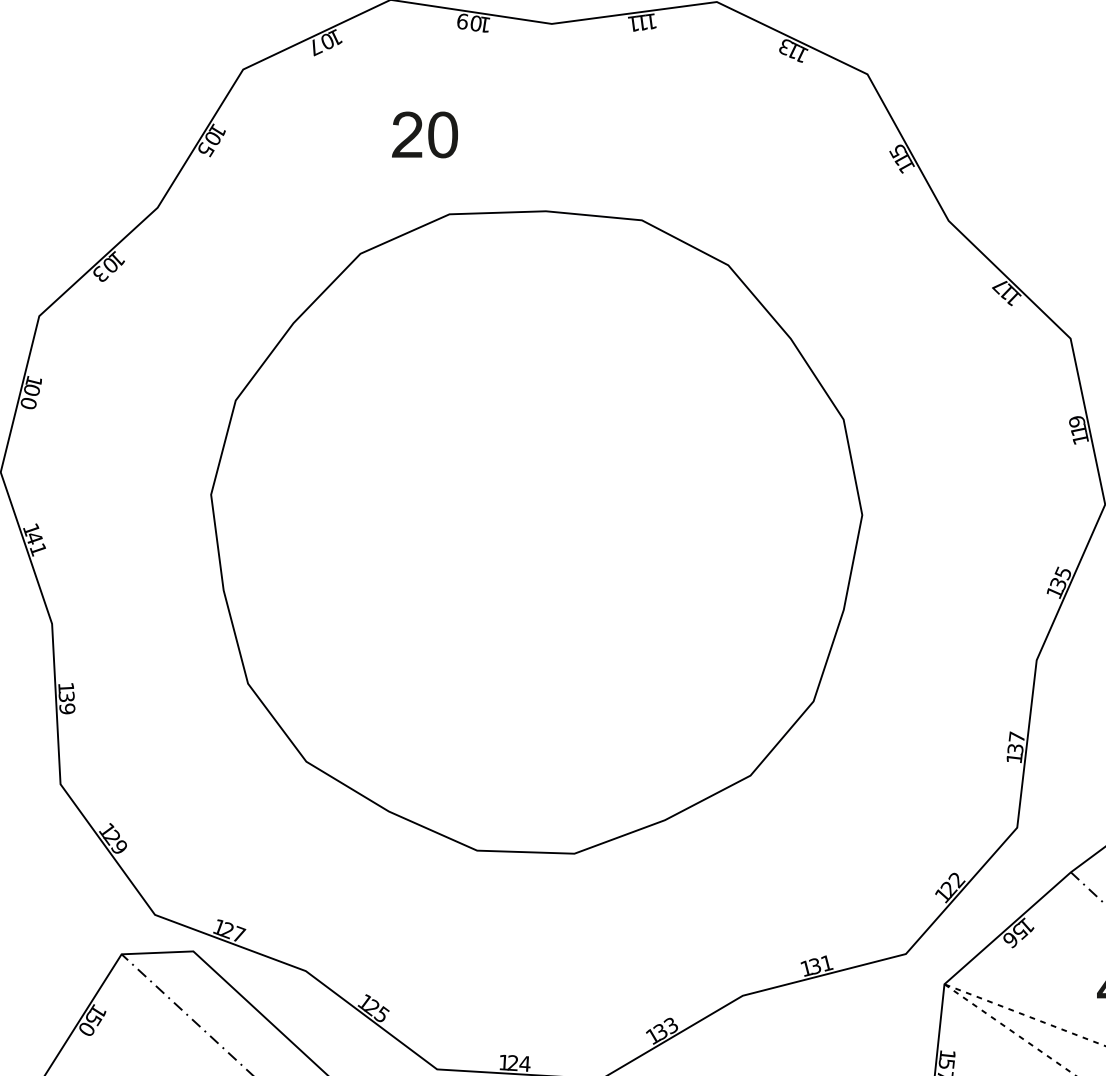
TUTORIAL

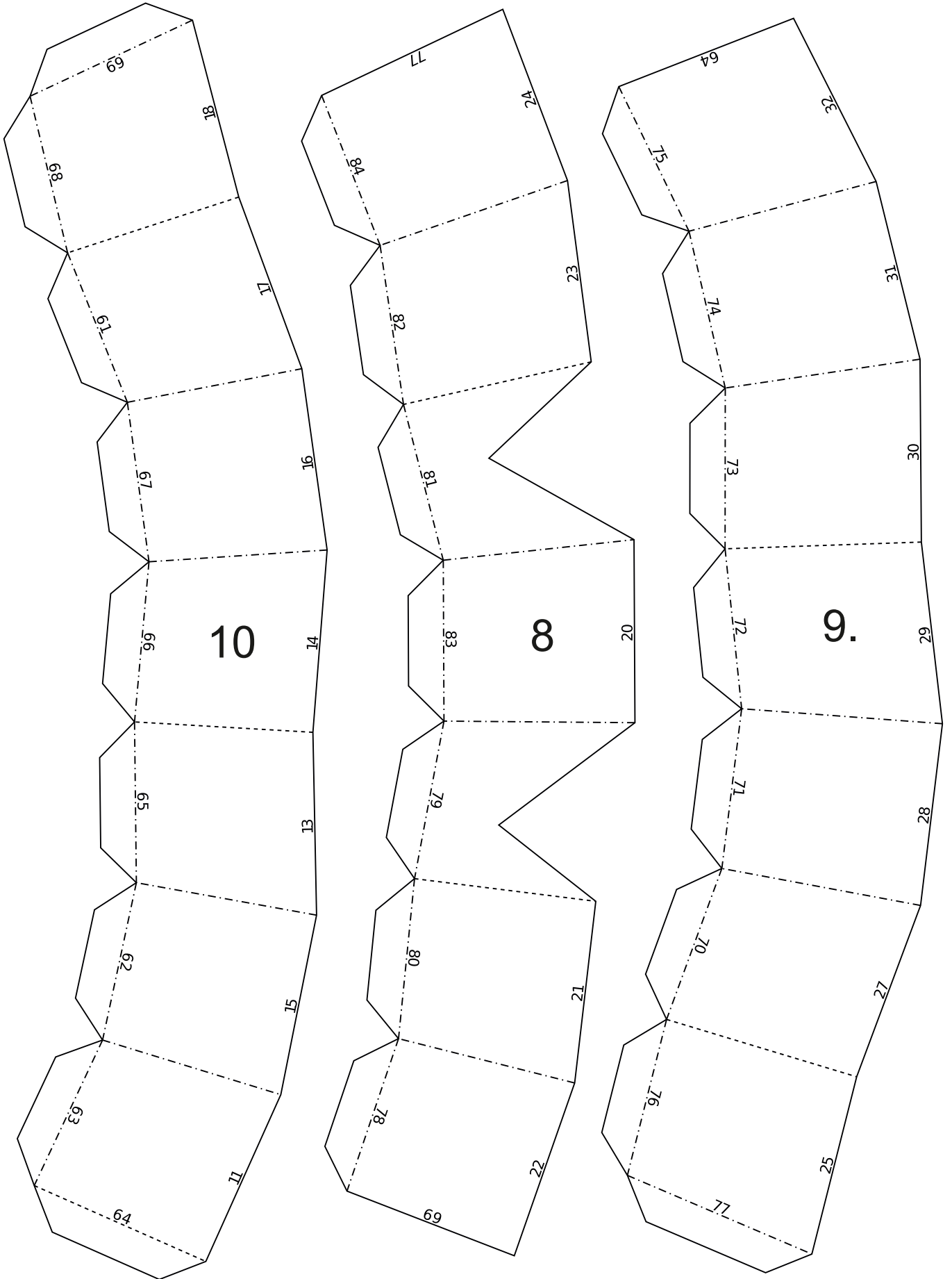
PAPER PUMPKIN

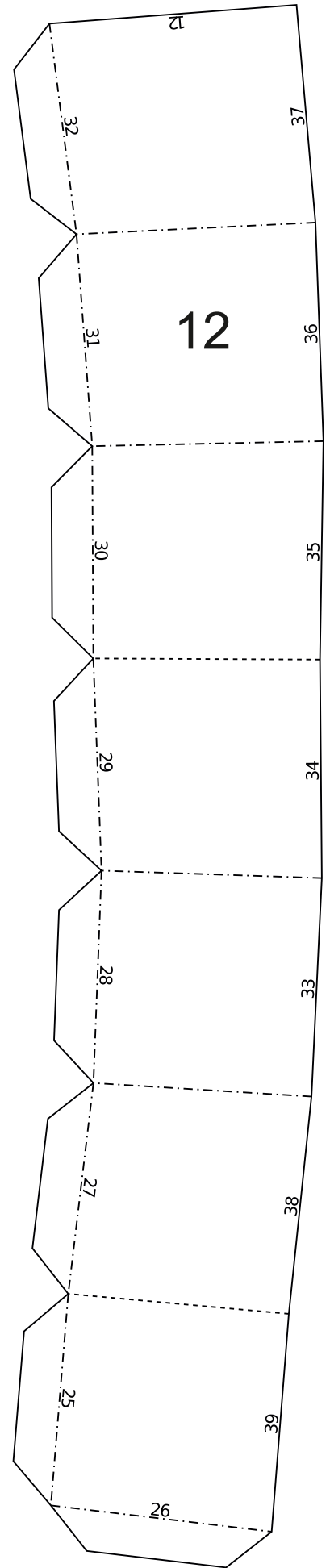
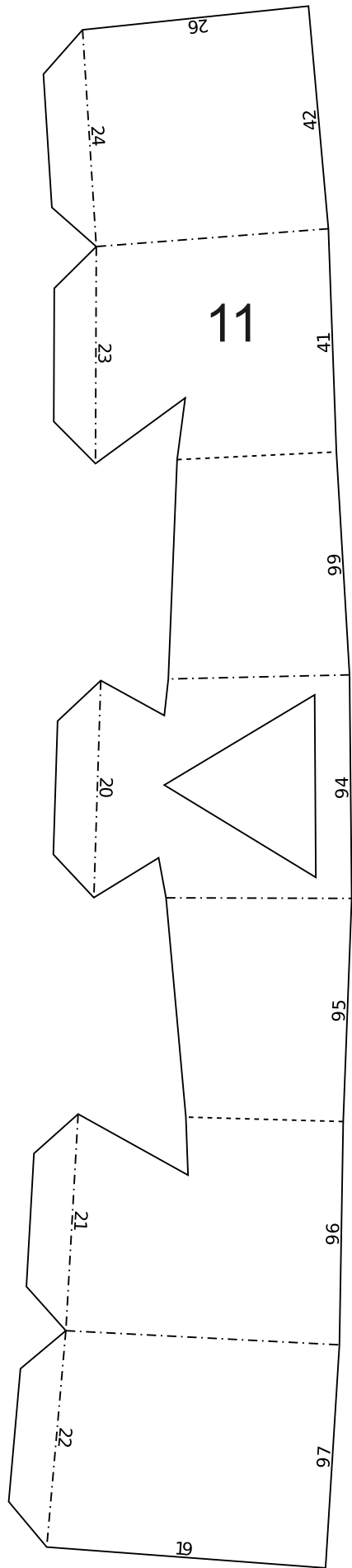
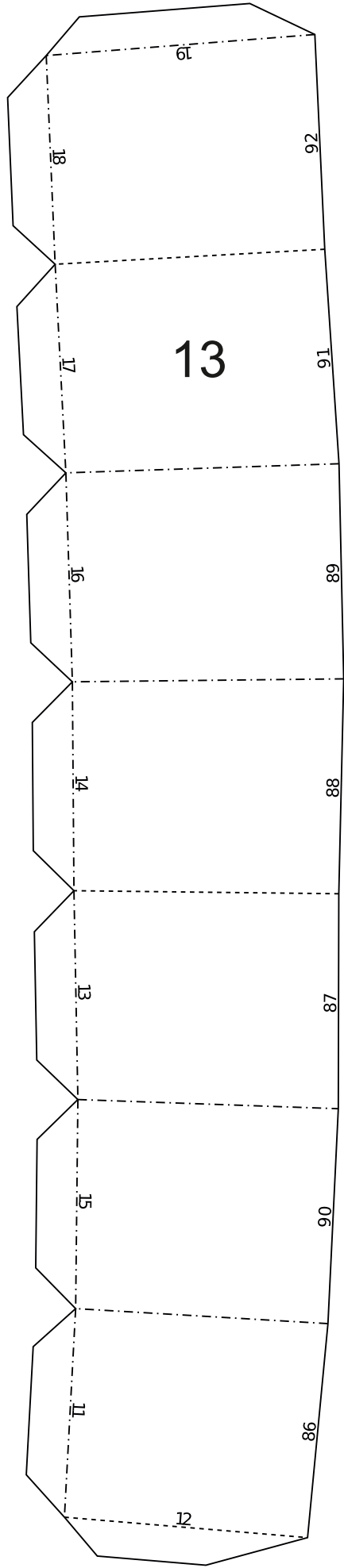


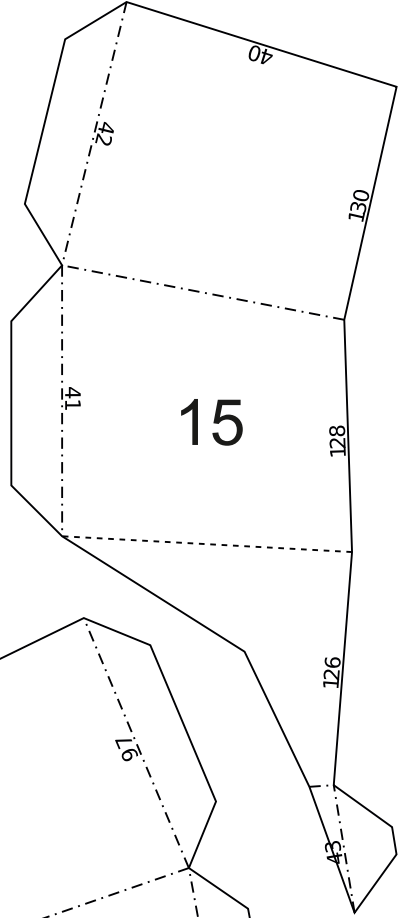
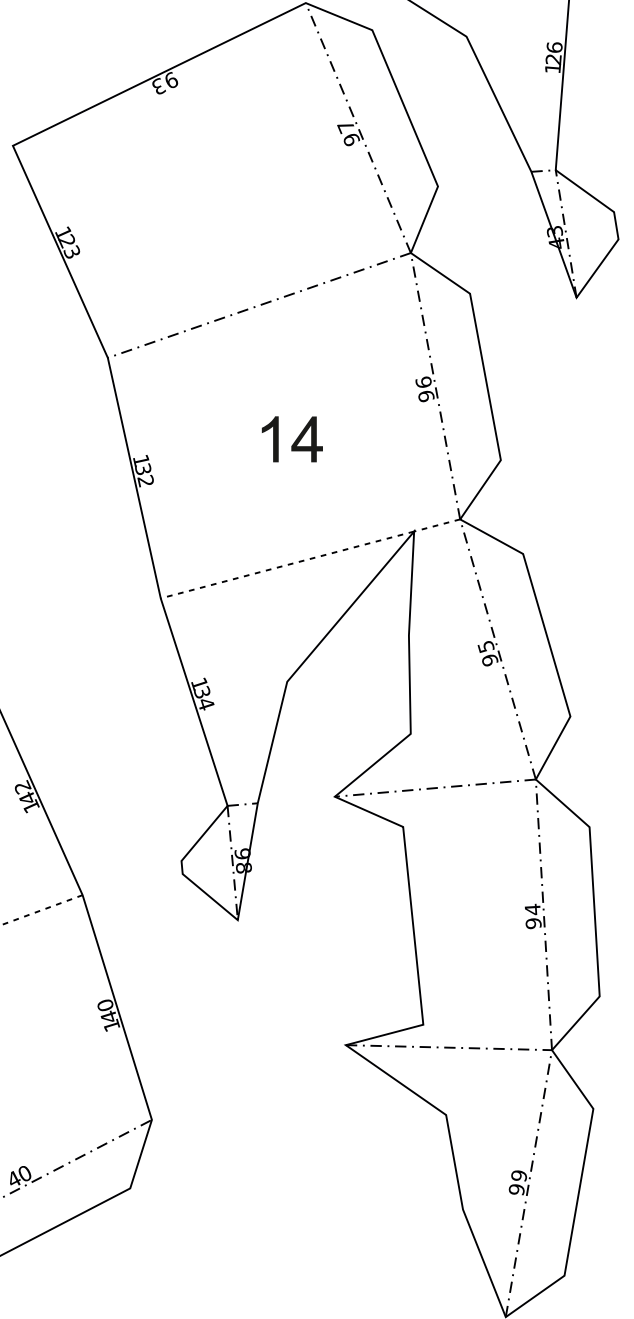
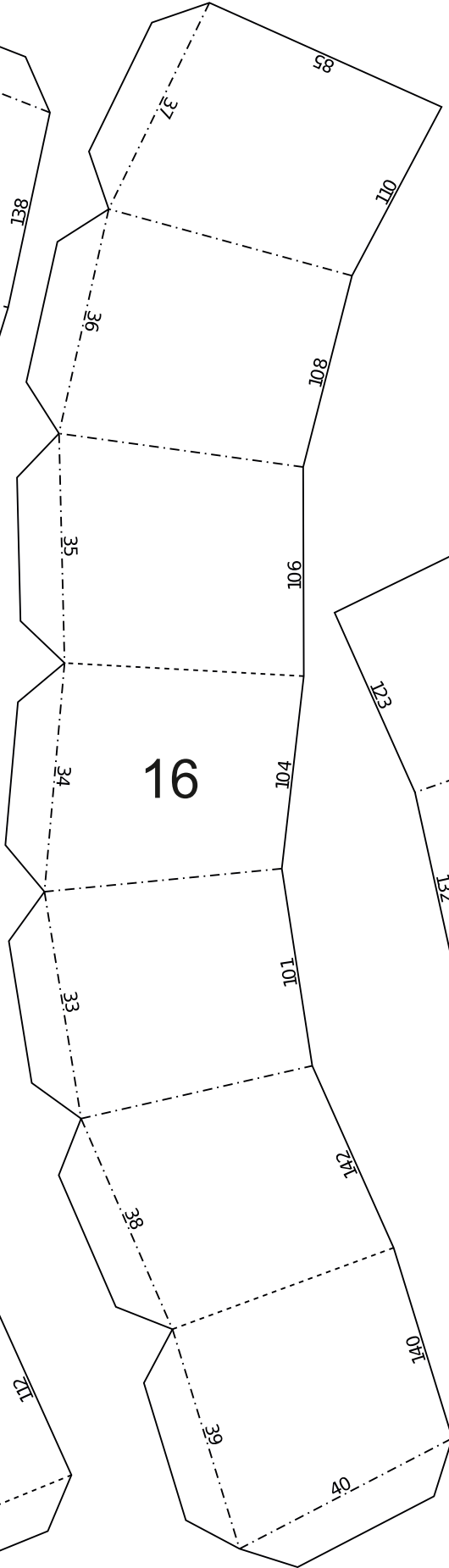
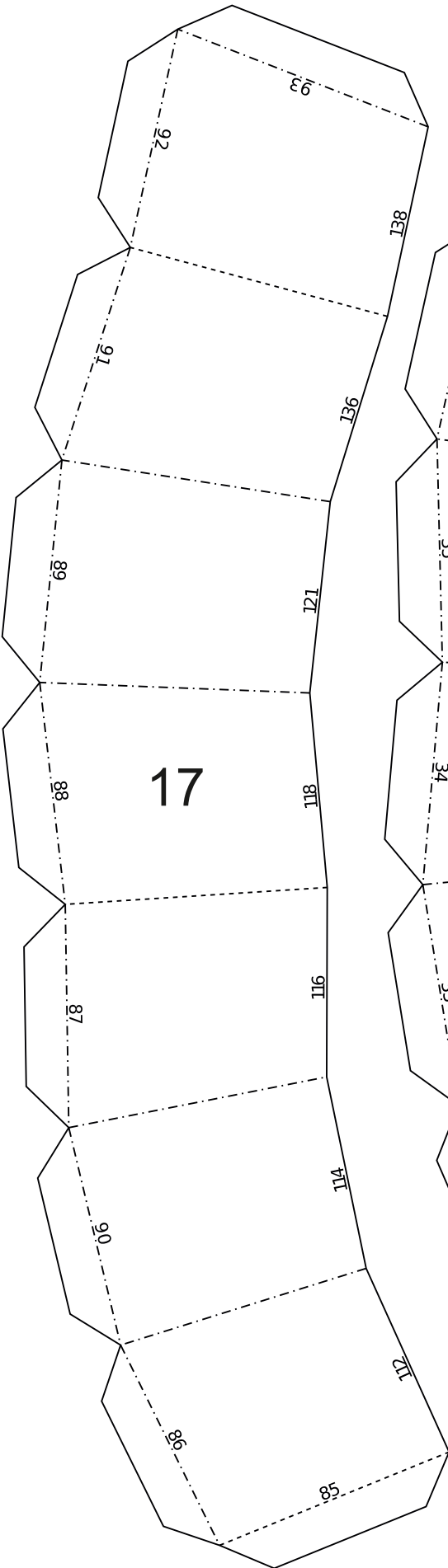




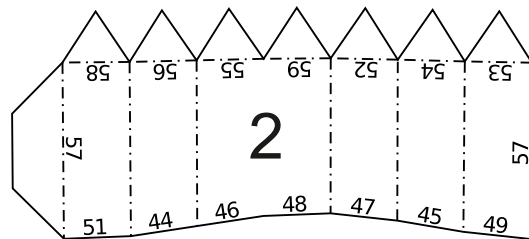
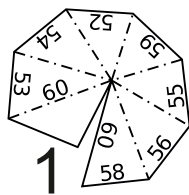
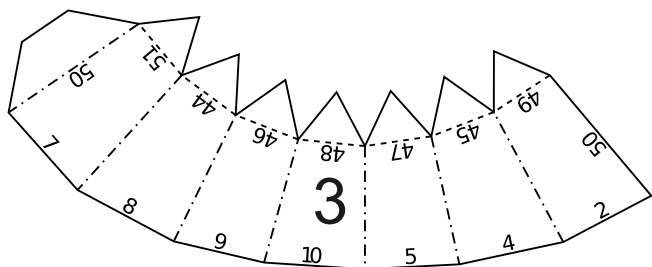








GREEN



TUTORIAL

PAPER PUMPKIN



The finished pumpkin is 24 cm / 9.5 inch wide.

Please use only LED candle. Never use a regular candle to avoid fires!