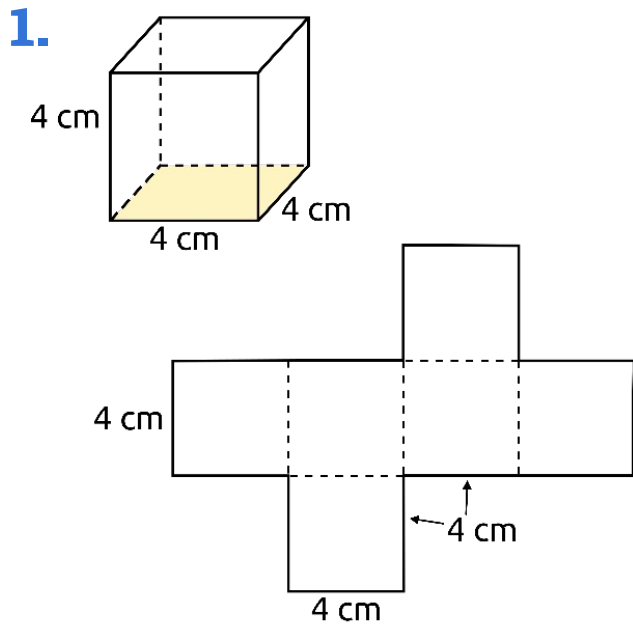
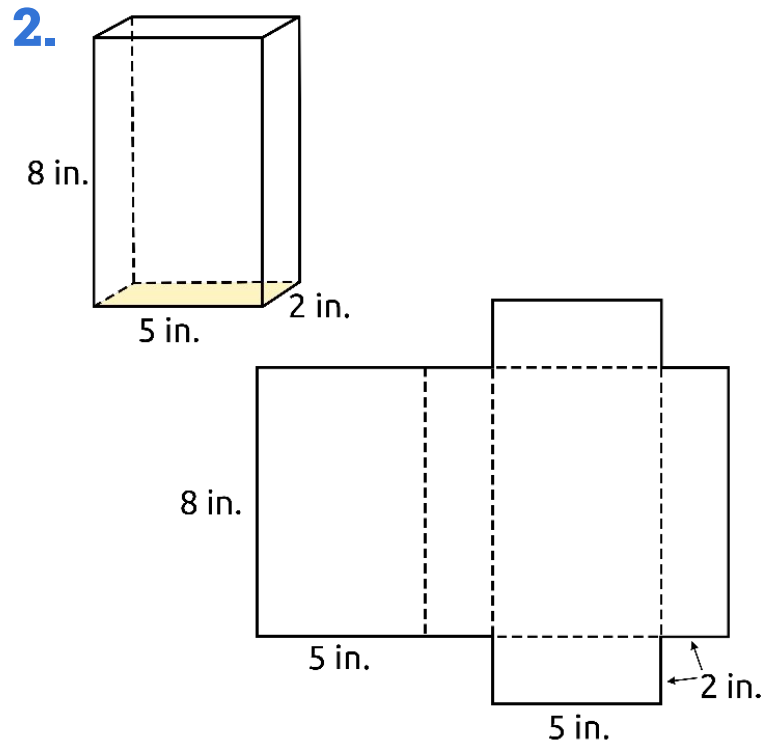


Finding Surface Area Using Nets #1

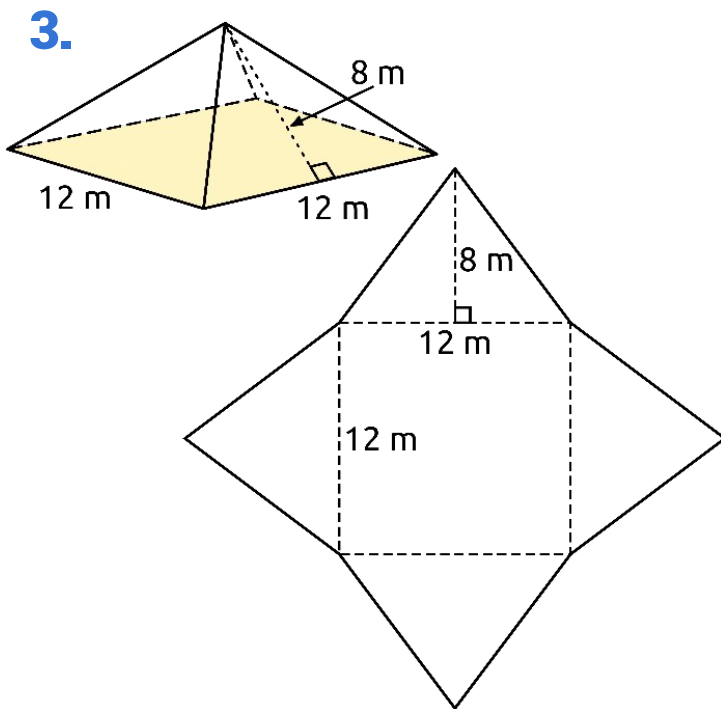
Use the net to find the surface area of each three-dimensional shape.



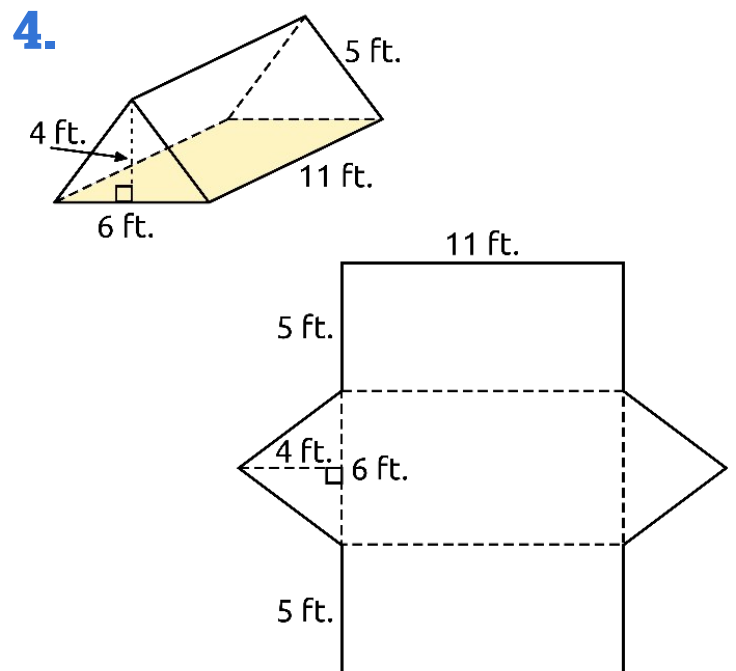
surface area = _____



surface area = _____



surface area = _____



surface area = _____