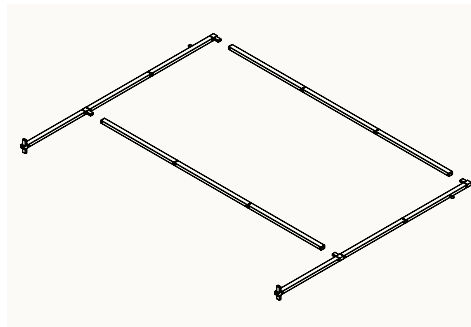
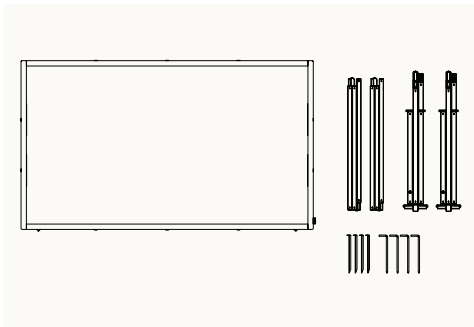
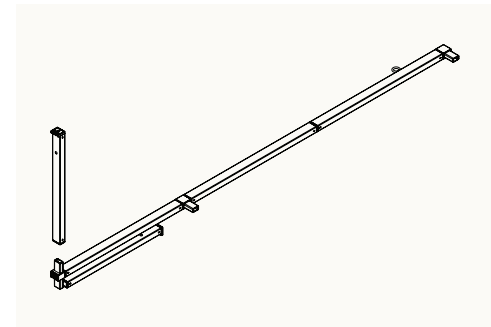


Vista *Outdoor Projector Screen*

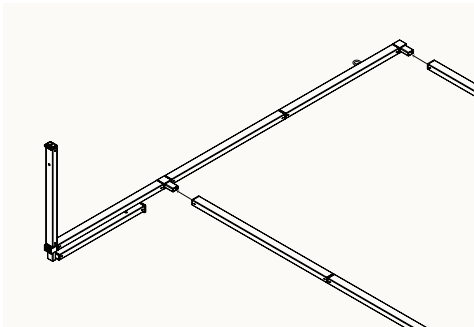
ASSEMBLY



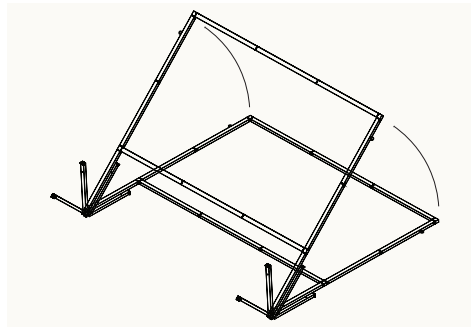
Lay out all frame pieces on a flat surface. Use a sheet or other soft surface below the frame to prevent scratches.



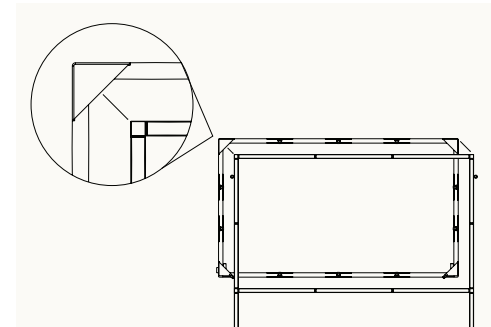
Locate and assemble the side pieces while on the ground, keeping one leg flat (unconnected) for stability.



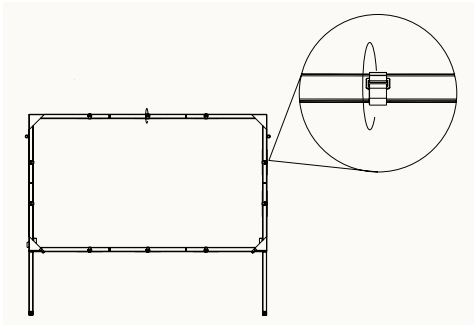
Securely attach both crossbars to the assembled side pieces.



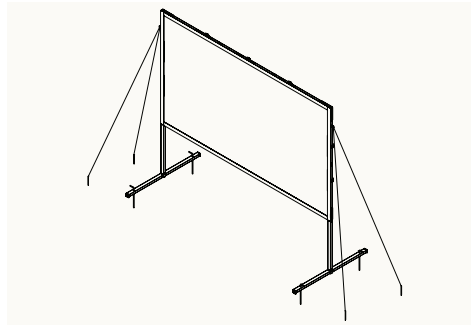
Carefully lift the frame, ensuring it's stable, and connect the remaining leg to the base for complete stability.



Unfold the projector screen on a clean, dry surface, and locate the top 2 corners. Hang the screen from the frame using the pockets. Fasten the lower corners of the screen using the velcro straps.



Velcro each individual fastener into place, starting from the top crossbar. Move from the top frame to the bottom, then from the left side to the right.



Place the screen in your desired location, with straps and velcro at the rear. Secure screen using the included stakes and rope.

CARE TIPS

- Storing/folding the screen: Ensure that the screen is completely dry before storing. Fold it once length-wise, with the face of the screen inwards, then loosely roll it up to fit it inside the storage bag.
- Frame Storage: Ensure that the frame is completely dry before storing. Collapse each piece of the frame, and store it in the bag that is padded on both the top and bottom sections.
- Usage: Do not use in adverse weather conditions.
- Lighting: For best projection results, use in low-light conditions.
- Cleaning the Screen: Hand wash only, with cold water. Do not bleach, hang to dry. Do not iron.
- Do not store the screen or frame pieces if they are wet/damp. Completely dry all surfaces before storing them in the included carry bags.
- Lifetime Warranty: We warranty each and every Solo Stove product to be free of manufacturing defects, and we will replace with a new product, at our option, any genuine Solo Stove product sold by an authorized retailer that is deemed defective.