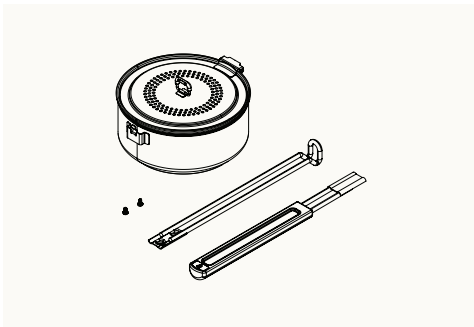


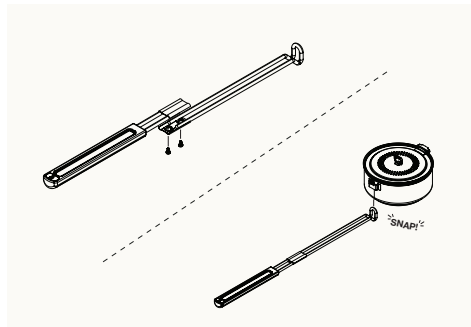
Fire Pit Popcorn Popper



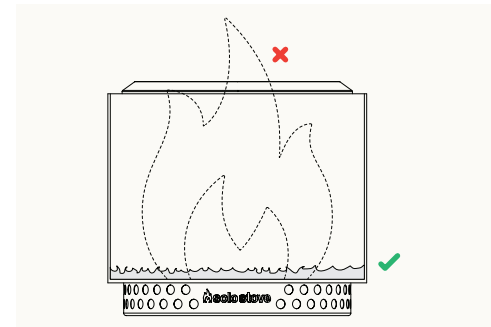
ASSEMBLY



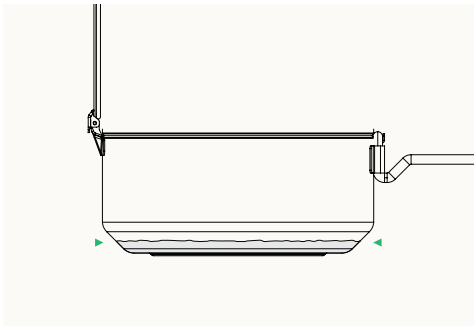
Remove all of the contents from the packaging and wrapping material.



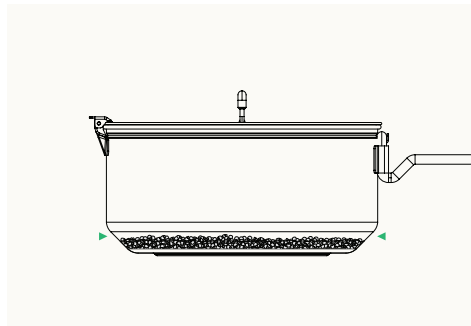
Assemble the Handle: Use the included screws to assemble the handle pieces. Attach the handle to the pot, ensuring that it snaps into place,



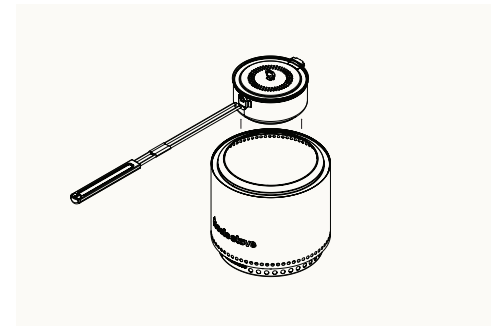
Prepare the Fire Pit: Let your fire pit burn down to coals and embers, little to no flames are best. High flames increase the risk of burning the popcorn.



Prepare the Popcorn Popper: Add a thin layer of popcorn oil to the bottom of your popcorn popper. Ensure the oil completely covers the bottom of the pot to provide an even cooking surface.



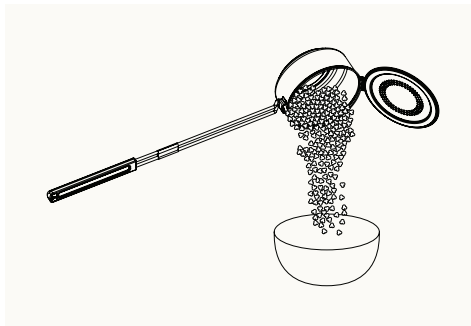
Add Popcorn to the Popper: Add a thin layer of popcorn kernels to the pot until they just cover the bottom (approx. 1/2 cup). Close the lid.



Position the Popper: Using the handle, center the popcorn popper over the fire pit about 1-2 inches above the flame ring.



Get it Popping: Once the kernels start popping, shake the popper every 10-15 seconds. Continue shaking the popper regularly until the time between pops drops to 2 seconds.



Remove Popper from Heat: Carefully remove the popper from the fire pit and, while the handle is still attached, dump the popcorn into a food-safe bowl to stop it from over-cooking. The handle will stay attached even when pouring the popcorn out.

WARNINGS

READ AND UNDERSTAND THESE INSTRUCTIONS BEFORE USE.

- Do not overfill the popcorn popper.
- Do not eat popcorn directly from the popper until it has cooled.
- Do not leave the popcorn popper unattended while in use.
- Always use caution when the popcorn popper is hot.
- **CHILD SAFETY HAZARD.** This product is not intended for use by children. Adult use only. The Fire Pit Popcorn Popper is not a toy. Exercise the same caution you would with an open fire.
- Do not use water to put out an oil fire; use a fire extinguisher or use baking soda instead.
- Do not use this popcorn popper for anything other than its intended use.
- The popcorn popper will be extremely hot when in use.
- Any direct contact may lead to serious injury whether accidental or otherwise. Always place the popcorn popper on a heat-resistant surface when serving.
- Do not alter or modify the Popcorn Popper in any manner.
- Handwash only, using dish soap and water. Store indoors.
- Discoloration of the metal from use is normal and should not be considered a defect.
- Intended for use over outdoor fire pits only. Do not use indoors.
- Use only over fires made with kiln-dried hardwoods or cooking pellets.
- Serious injury, death, and/or property damage may occur if the above instructions are not followed exactly. User assumes all responsibility for safety.