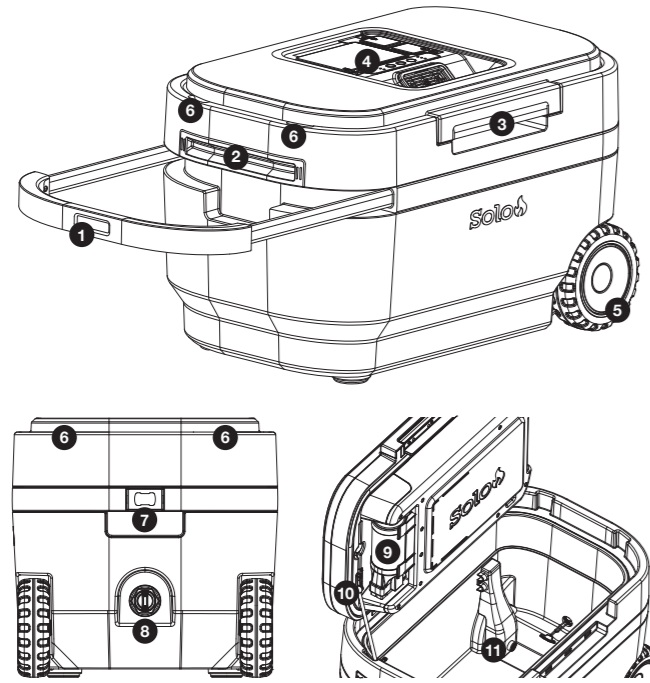


## COMPONENTS

1. Telescopic Handle
2. Air-Intake Vent
3. Lid Latch
4. Control Panel
5. All-Terrain Wheels
6. Accessory Attachment Points
7. Bottle Opener
8. Drain Valve
9. Extension Hose
10. Kickstand
11. Circulation Pump

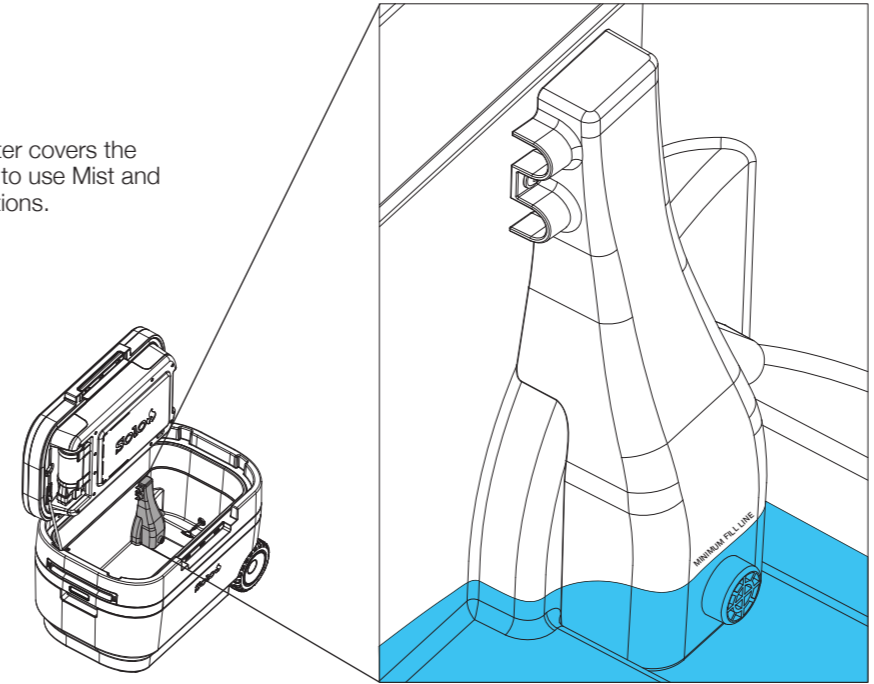


## CONTROL PANEL

- 1. Battery Compartment**  
Uses a custom-built Lithium-ion battery. Only compatible with Solo batteries.
- 2. AC Power Port**  
Plug your cooler into a wall outlet for continuous power.
- 3. Charging Ports**  
Charges devices using built-in USB-C and USB-A ports.
- 4. Fan Speed**  
Adjusts fan speed.
- 5. Power Control**  
Power on and off.
- 6. Cooling Control**  
Cycle through Max Cooling, Eco Cooling, and Mist modes. Hold for three seconds to activate Mist mode.
- 7. Vent**  
Enjoy airflow around the cooler or attach the extension hose to direct air.
- 8. Mist Nozzle**  
Dispenses a fine mist using ice-cold water stored at the bottom of the cooler.

## ADDING WATER

Fill until the water covers the pump opening to use Mist and Max Cool functions.

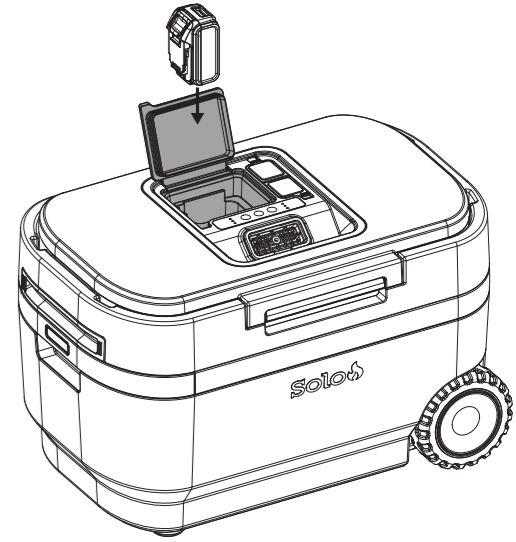


## POWER YOUR COOLER

Insert the battery into the compartment or plug the cooler into a wall outlet using the included power adapter. The interface lights will flash when connected.

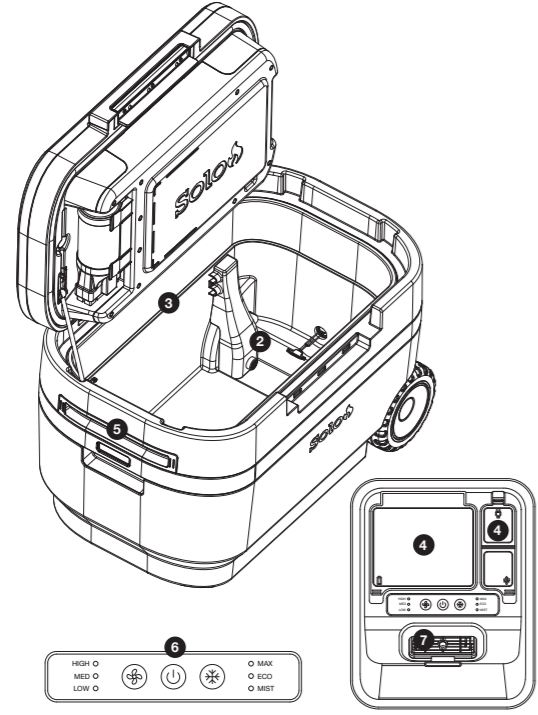
The included battery comes partially charged.

- Power Option 1**  
Run on battery.
- Power Option 2**  
Plug into an outlet.

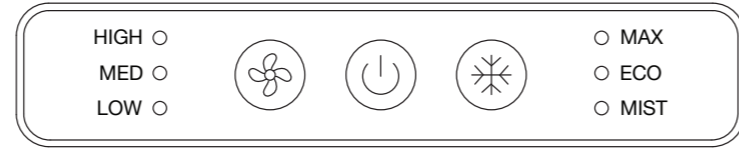


## QUICK START

- 1. Get It Ready**  
Remove all contents. Ensure wheels, handle, and structural components are secure.
- 2. Add Water**  
Fill until the water covers the circular pump opening to use Mist and Max Cool functions.
- 3. Add Ice**  
Fill with ice and items you want to keep cold. Do not exceed the max fill line.
- 4. Add Power**  
Insert the battery or plug the cooler into an outlet using the power adapter. The lights will flash once when connected to power.
- 5. Add Air**  
Unplug the air intake vent on the side of the cooler when in use. Close the plug when transporting the cooler.
- 6. Turn It On**  
Power on with the power button. Use the cooling control and fan control buttons to choose your settings. Hold the cooling control button for three seconds to activate Mist mode.
- 7. Stay Cool**  
Sit next to the vent or use the extension tube to direct airflow. For best ice life and cooling time, keep the cooler closed as much as possible.



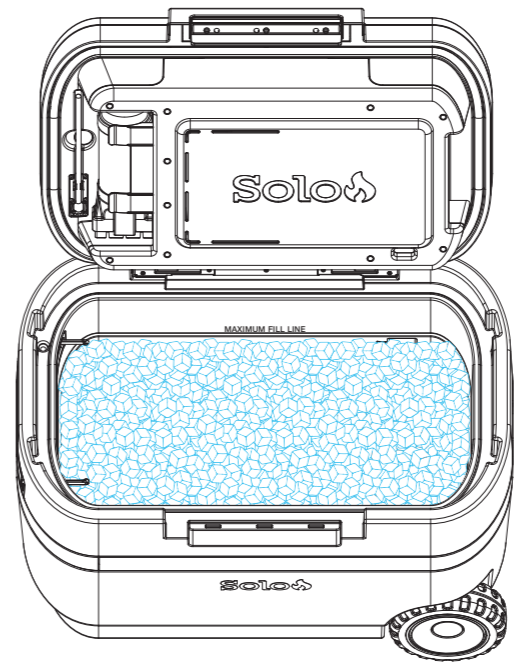
## COOLING MODES



- Max Cool Mode**  
Activates the fan, heat exchanger, and water pump for maximum cooling performance. Circulates icy water through the heat exchanger, removing moisture from the air to significantly lower air temperature. This mode consumes ice and battery power more quickly.
- Eco Cool Mode**  
The default mode when powered on. Uses only the fan to circulate air cooled by the ice, extending battery and ice life by keeping the heat exchanger and water pump off.
- Mist Mode**  
Activates the misting pump to disperse a fine mist from the vent. Uses melted ice water from the cooler to create mist while running the fan, misting pump, and water circulation pump. This mode consumes the most battery power. Mist mode will turn off when the A/C extension tube is attached.

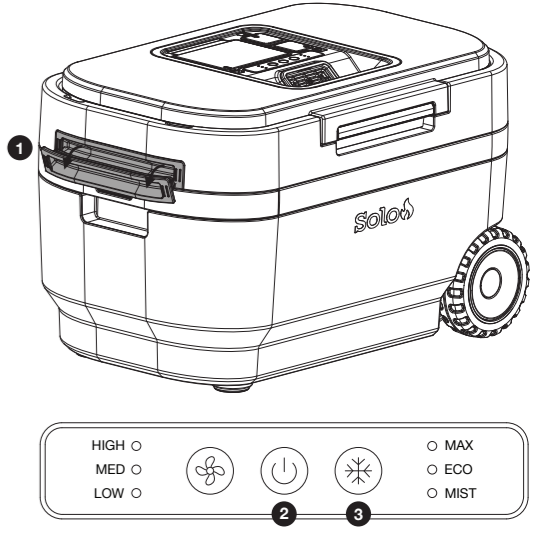
## ADDING ICE

Fill with ice and items you want to keep cold. Do not exceed the max fill line.



## TURN YOUR COOLER ON

1. Unplug the intake vent on the side of the cooler when in use. Close the vent when transporting the cooler.
2. Press the Power Control button on the control panel to activate the fan.
3. Select your desired cooling mode using the buttons on the interface. Hold the cooling button for 3 seconds to turn on the mister. Press the cooling button again to turn off the mister.



TROUBLESHOOTING

**Misting Functionality**

If the misting feature stops working  
1. The Mist button will blink to indicate a nozzle clog or  
2. The Max button will blink to indicate the cooler is out of water

For assistance, visit [solostove.com](http://solostove.com) or contact Solo Customer Support at 817-900-2663, 9 AM - 7 PM, CT, Mon. - Fri.

WARRANTY

You're eligible for our premium limited warranty. See full details at:

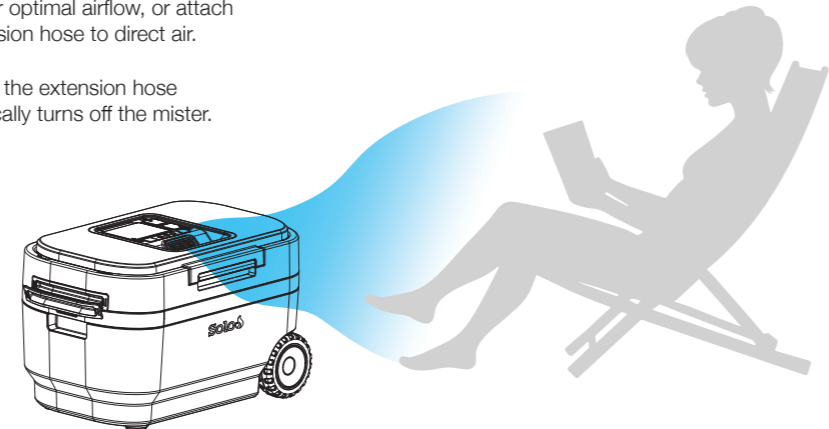


[Solostove.com](http://Solostove.com)

ENJOY THE AIRFLOW

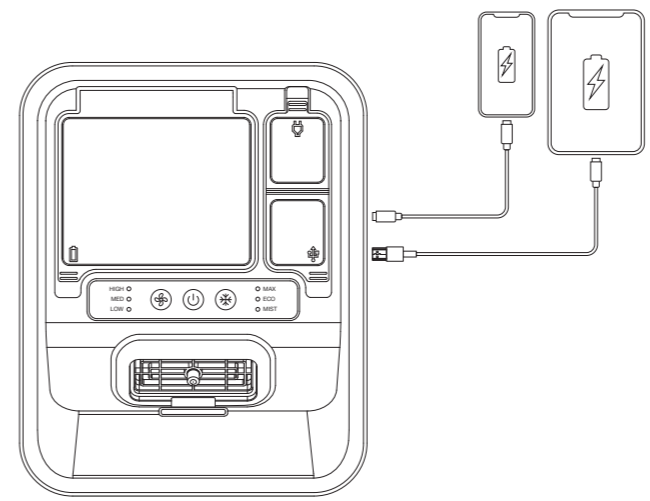
Sit next to the vent, which is angled for optimal airflow, or attach the extension hose to direct air.

Attaching the extension hose automatically turns off the mister.

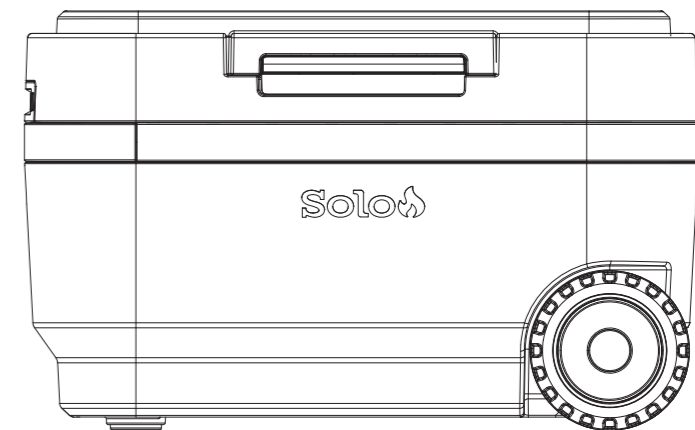


CHARGE YOUR ELECTRONICS

Use the included USB-C and USB-A ports to charge electronic devices.



WINDCHILL™ 47 A/C + COOLER



WARNINGS

- ⚠️ WARNING** Do not use dry ice. Enclosed dry ice can cause serious injury or death.
- ⚠️ WARNING** Do not allow children to climb into or play in the cooler.
- ⚠️ WARNING** Use lid kickstand when the lid will be open.
- ⚠️ CAUTION** Do not allow children to sit, stand, or ride on the cooler. Adult supervision required.
- ⚠️ CAUTION** Do not immerse the unit in water.
- ⚠️ CAUTION** Do not use if the battery or power cord is damaged or wet.
- ⚠️ CAUTION** Do not add saltwater to the cooler. Salt causes corrosion and voids the warranty.
- ⚠️ CAUTION** Only use with Solo batteries.

TIPS FOR OPTIMAL PERFORMANCE

- Pre-Chill Your Cooler**  
Place a bag of ice inside the cooler several hours or the night before use. Then remove the ice used to pre-chill and fill your cooler with fresh ice.
- Drain Excess Water**  
Periodically drain melted ice water to slow ice melt and maintain colder conditions.
- Delay Adding Water**  
Wait to add water until you're ready to cool yourself off to preserve ice for as long as possible.
- Use Block Ice**  
This lasts longer than bagged ice, enhancing cooling efficiency. Available at many gas stations.
- Pre-Chill or Freeze Items**  
Load pre-chilled or frozen food and beverages to reduce the cooling load.
- Do Not Add Salt Directly to Your Cooler**  
Salt can damage components and cause premature wear. Use salt only in sealed containers.

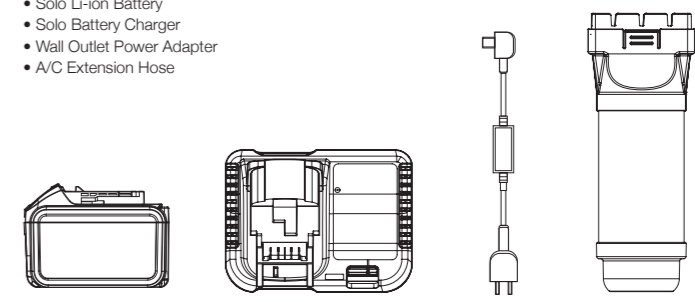
**Utilize Refillable Containers**  
Freeze gallon jugs, water bottles, or freezer packs.

CLEANING & STORAGE

1. Open the drain and remove all water from the cooler. Open and close the lid several times to clear water from the lines and heat exchanger.
2. Clean using a mild cleaning solution or soap with warm water.
3. Ensure the unit is completely dry before storing.
4. Store with the lid closed and the battery pack disconnected.
5. Periodically run the pump system (on Max Cool) with a 1:2 ratio of white vinegar to water to prevent mineral buildup.
6. Clean the misting nozzle regularly:
  - Unscrew it from the air vent.
  - Separate the nozzle halves and soak in a 1:2 white vinegar-to-water solution for 5-10 minutes.
  - Dry and inspect each piece before reassembling.

WHAT'S INCLUDED

- Solo Li-ion Battery
- Solo Battery Charger
- Wall Outlet Power Adapter
- A/C Extension Hose



Read the full manual before using.

SOLO BRANDS

1001 Mustang Dr. Grapevine, TX 76051

[solostove.com](http://solostove.com)

