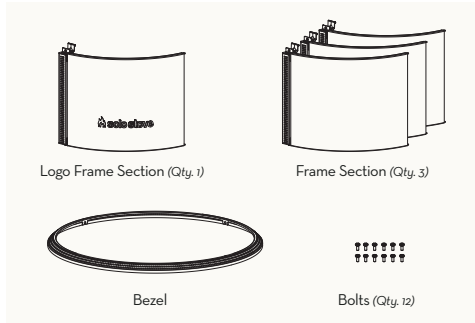


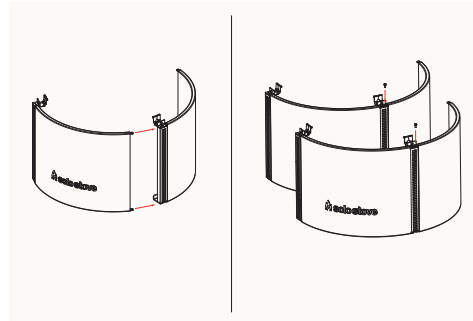
Surround Lite



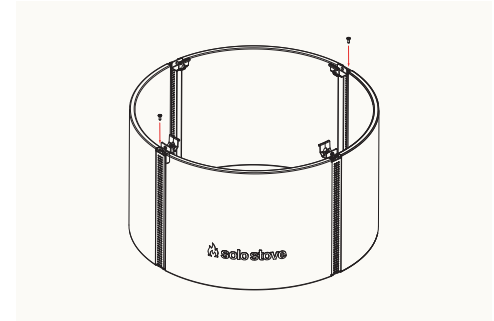
ASSEMBLY



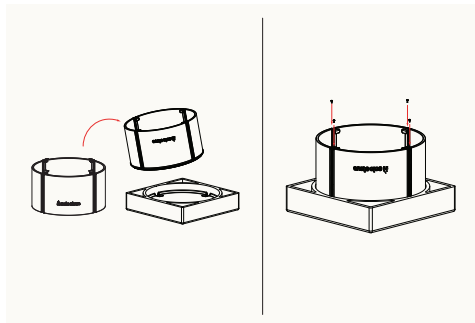
Remove all of the contents from the packaging and wrapping material.
(NOTE: Save the styrofoam packaging, as it will be used in step 3)



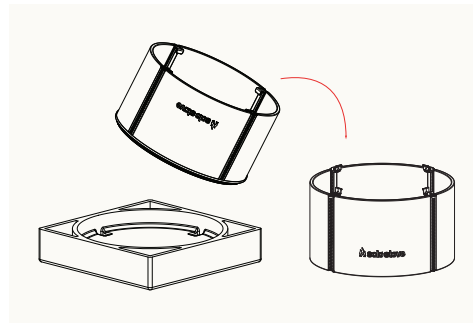
Step 1: Align two frame sections with brackets facing upwards, and insert one bolt into the hole located on the top side of the joint of the two sections, tighten by hand. Repeat with the two remaining frame sections to create two halves.



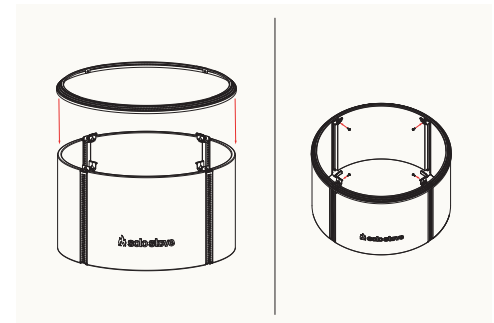
Step 2: Combine the two assembled halves in the same fashion, secure with two (2) bolts.



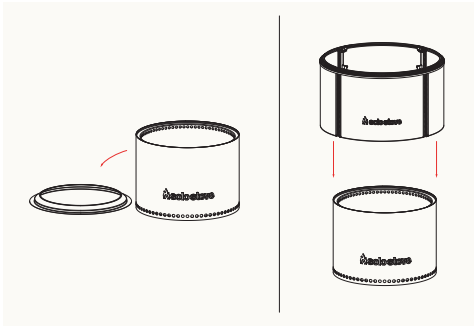
Step 3: Place the styrofoam packaging insert on a level surface, flip the partially assembled Surround Lite over, and align the brackets with the appropriate cutouts on the styrofoam. Use four (4) bolts to secure the bottom portion of the frame sections together. Tighten.



Step 4: Remove the Surround Lite from the styrofoam and flip right-side up.

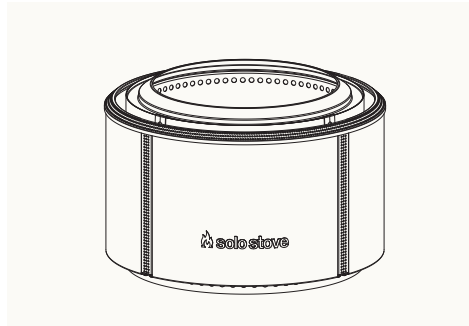


Step 5: Place the bezel on top of the assembly, and align the bolt holes with the holes on the frame sections.



ATTN: Fire pit **MUST** be completely cool before placing Surround Lite on top. Remove your fire pit's flame ring.

Step 6: Slide the assembled Surround Lite over the top of your fire pit and rest the brackets on the outer lip of the fire pit.



Step 7: Replace your flame ring.

IMPORTANT SAFETY WARNINGS KEEP THESE INSTRUCTIONS FOR FUTURE USE. DO NOT DISPOSE OF THIS MANUAL.

Read instructions in full prior to assembling and using the Solo Stove Surround Lite. It is the responsibility of the Owner to ensure that all people in the vicinity of the Surround Lite and Fire Pits are aware of the warnings and precautions while the unit is in use. Use extreme caution and common sense when operating or near the Surround Lite. Failure to do so could result in severe bodily injury or property damage.

WARNING: Failure to comply with all the Manual provisions and usage guidelines could result in property damage, serious bodily injury, death, or fire. Solo Stove does not accept any responsibility, legal or otherwise, for the incidental or consequential damage to property or persons resulting from the misuse of this product.

Solo Stove shall in no event be liable for any special, indirect, consequential, or other damages of any nature whatsoever in excess of the original purchase price.

USAGE AND SAFETY GUIDELINES

1. For outdoor use only
 2. Use only with the appropriately sized solo stove fire pit. Follow all fire pit guidelines and instructions when using with the surround lite.
 3. Do not leave children or pets unattended around the surround lite when the fire pit is in use or cooling down.
 4. Remove the surround lite from the fire pit before transporting or moving the fire pit.
- Remove all items from box, carefully unwrap, and inspect for damage. During assembly, do not place items on abrasive or rough surfaces or damage to part finish may occur.
- If any parts are damaged or missing stop and contact solo stove customer service at (817) 900-2664
- Exercise caution when using your surround lite or serious risk of death or injury may result.

- Surround Lite and fire pit areas will be hot. Do not sit on or lean against Surround Lite.
- Install on level, stable surfaces only. Do not use the Surround Lite on inclined surfaces, uneven ground, vehicles, boats, stairs, or surfaces not designed to handle the weight of the surround and fire pit.
- Do not modify or alter the Surround Lite or use in a manner other than specified.
- Do not attempt to move a Surround Lite or remove a fire pit from a Surround Lite while a fire is going or while a fire pit is cooling down.
- Do not lean plastics or heat-sensitive materials on the Surround Lite while in use.
- The powder-coated finish is very durable, but it can be scratched. Do not drag items across the bezel to avoid damaging the surface.
- Take care to avoid dropping logs or other items onto the bezel or damage could occur.