

HFF27

**SHE-RA™ VS HORDAK & MONSTROID™**  
**SHE-RA VS HORDAK ET MONSTROÏDE**

SHE-RA VS. MONSTROID DE HORDAK / SHE-RA VS. HORDAK DE MONSTROID™  
Ши-Ра™ против Хордака и Монстроида™



**Build**  
**Construisez**  
Construye | Constrói  
Bauen | Стройте

**+**

**Share | Partagez**  
Comparte | Partilha  
Teilen | Делитесь

Devices not included | Appareils non inclus | Dispositivos no include  
Dispositivos não incluídos | Geräte nicht enthalten | Устройства не входят в комплектацию

**Show off your custom creations!**  
**Montrez vos créations !**

¡Exhibe tus creaciones personalizadas!  
Exibe as tuas criações personalizadas!  
Für coole Eigenkreationen!  
Покажите свои собственные творения!

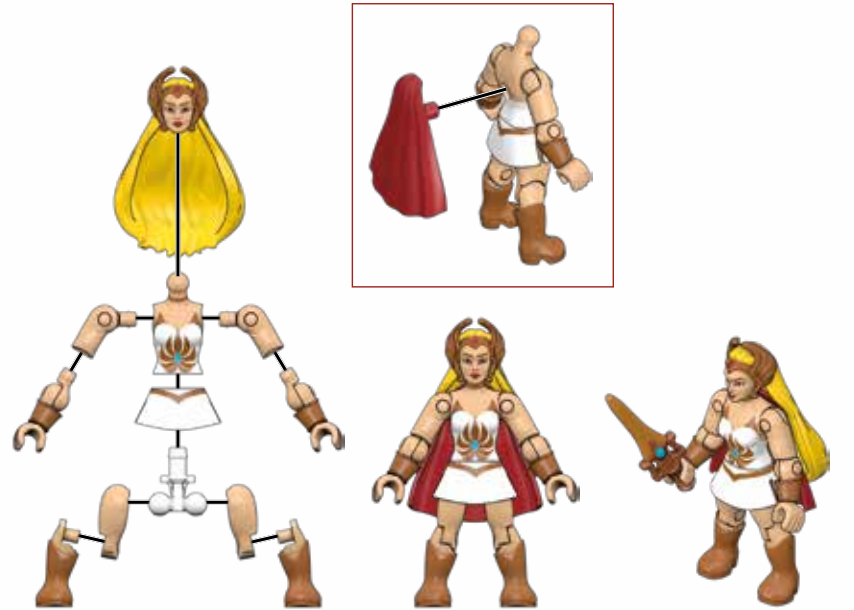
By *landon87*  
By *Adriber*  
By *Stebanino*

[megaunboxed.com](http://megaunboxed.com)



1





2



**BUILDING TOOL**  
**OUTIL DE CONSTRUCTION**

HERRAMIENTA DE CONSTRUCCIÓN  
BAUWERKZEUG  
FERRAMENTA DE MONTAGEM  
ИНСТРУМЕНТ ДЛЯ КОНСТРУИРОВАНИЯ




2



2x



3

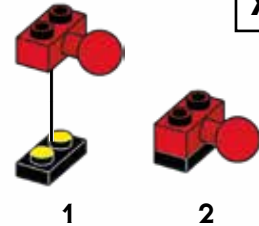


2x

2x

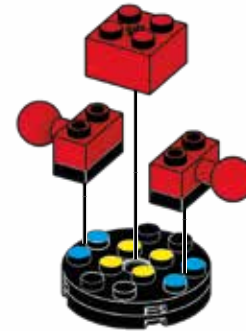
1x

x2



1

2



4



2x



1



2

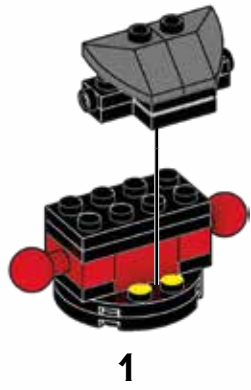
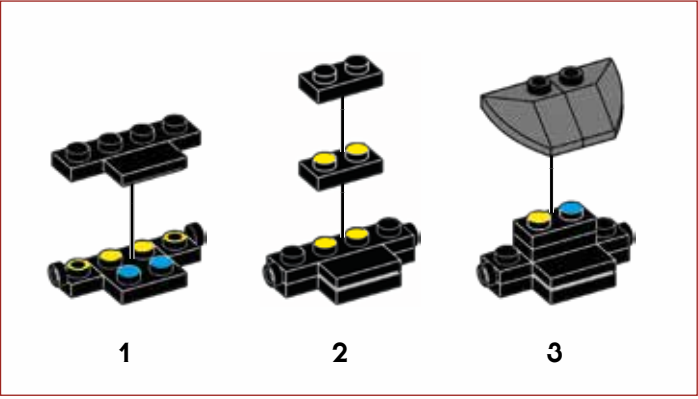
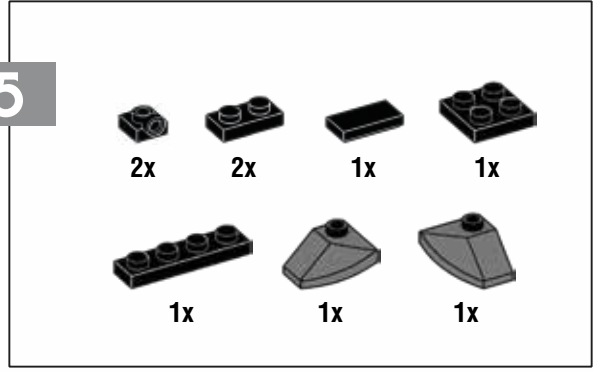


3

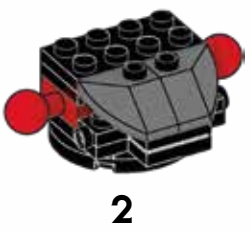
4



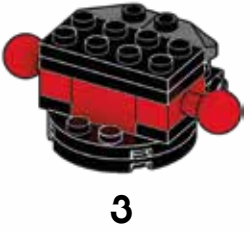
5



1

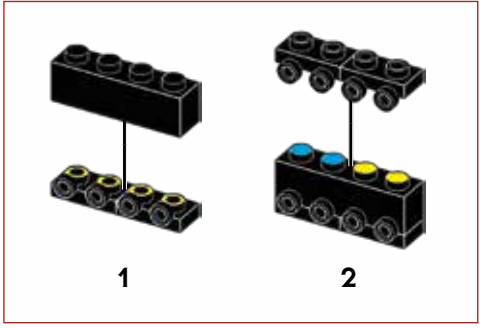
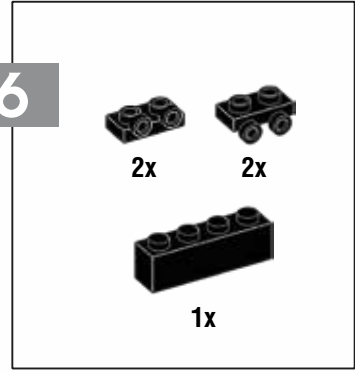


2



3

6

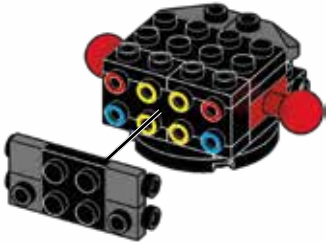


5

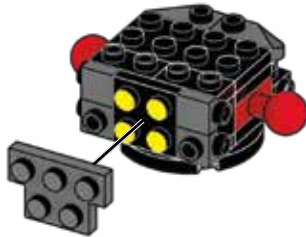
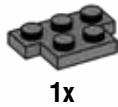




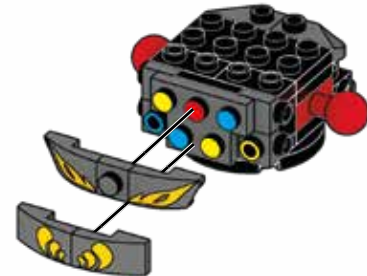
7



8



9



10



11



12



6



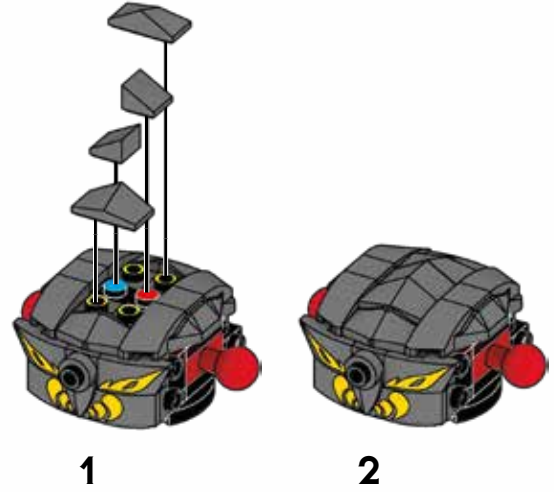
13



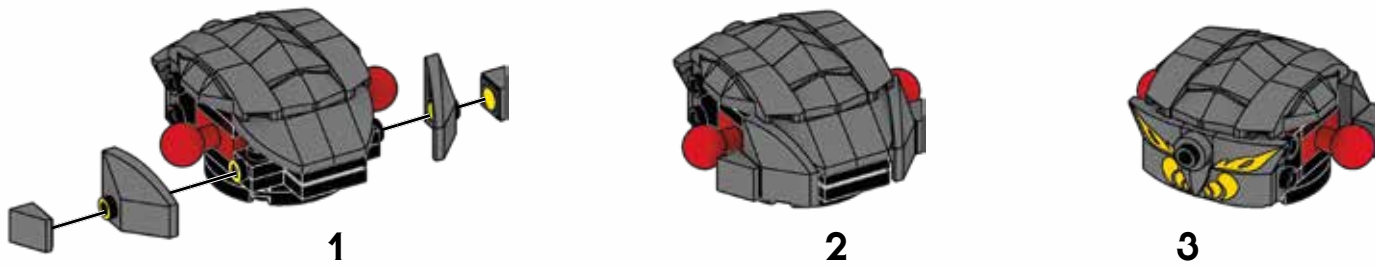
14



15



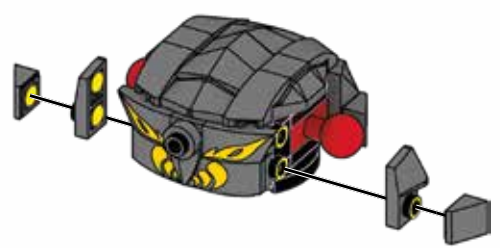
16



7



17



1

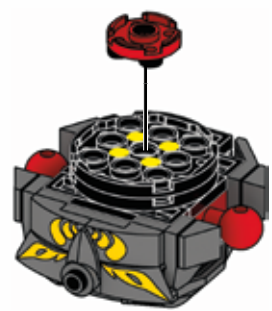


2



3

18



1



2

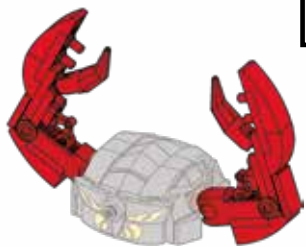


3

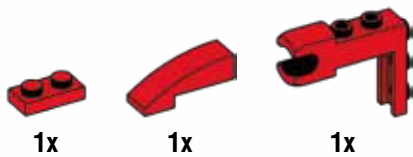
8



x2



19



1x

1x

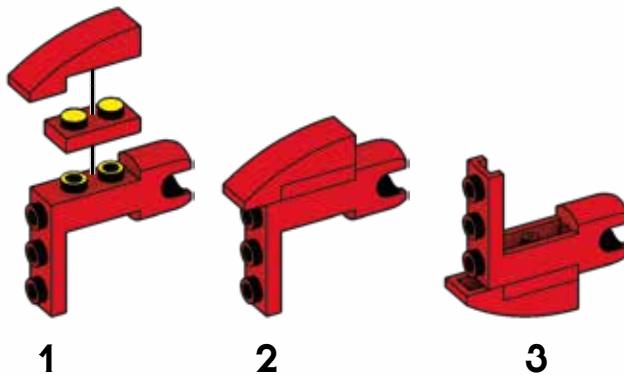
1x

20



1x

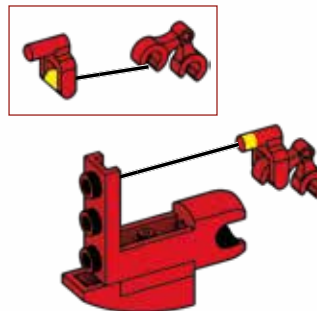
1x



1

2

3



21



1x

1x

22



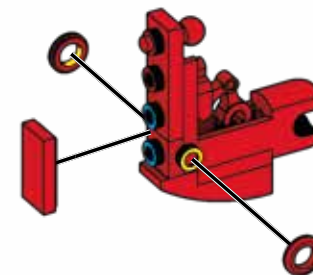
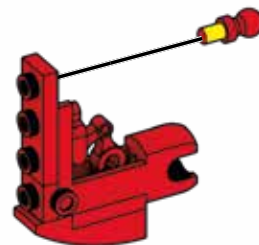
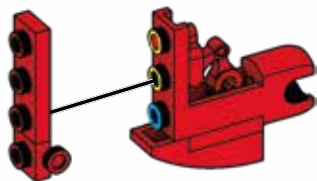
1x

23



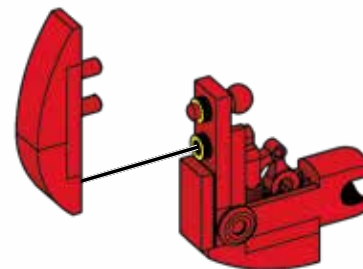
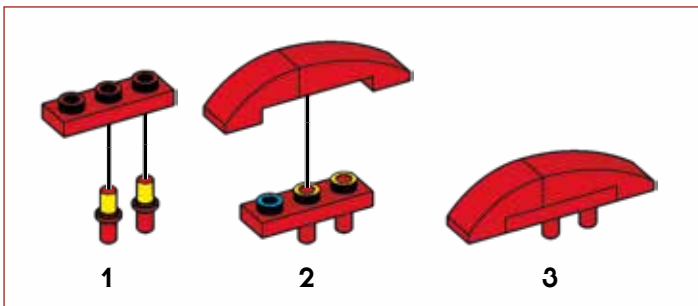
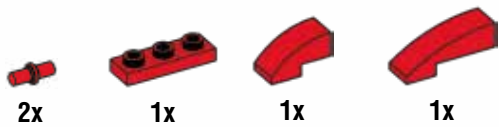
2x

1x

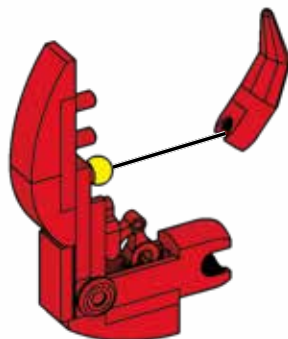
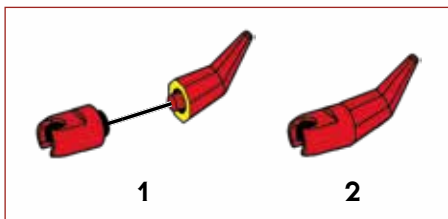


x2

24



25



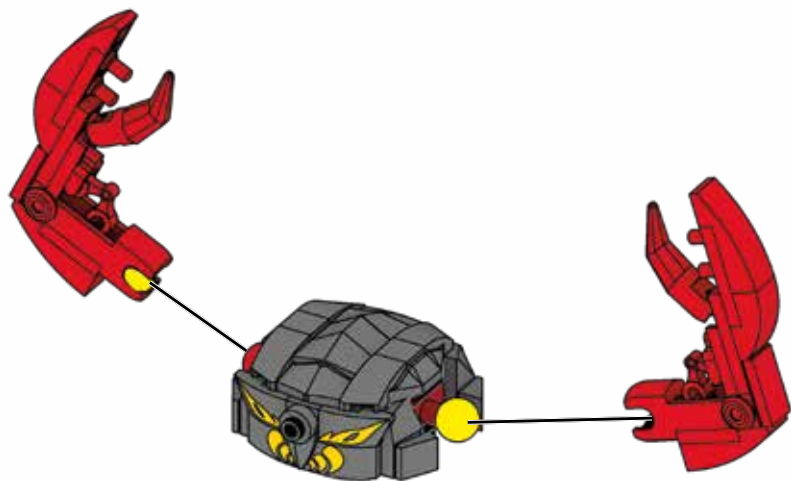
1



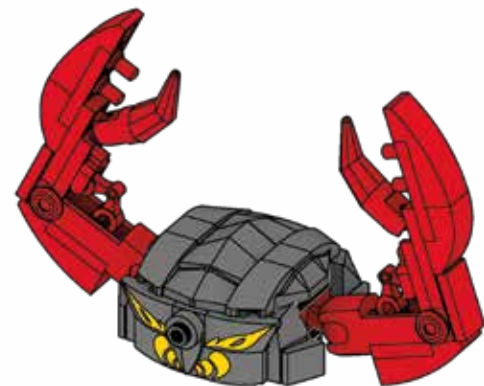
2



26



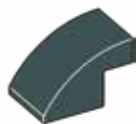
1



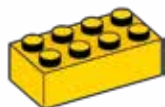
2



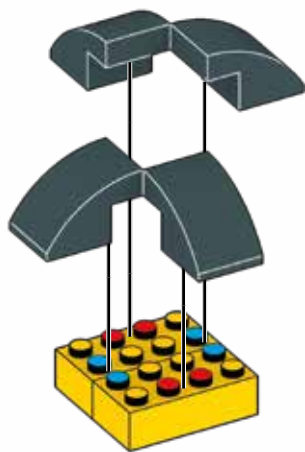
27



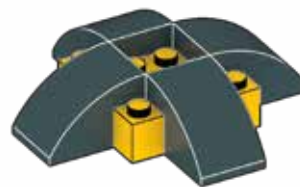
4x



2x



1



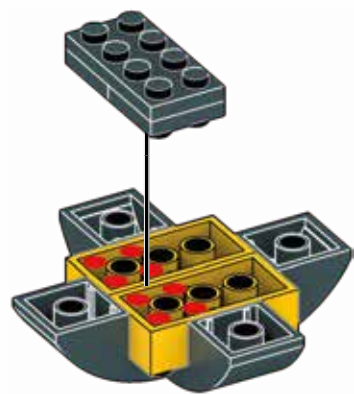
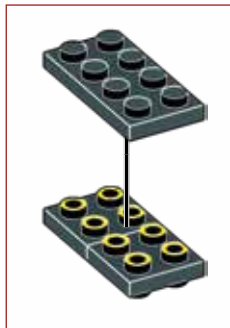
2



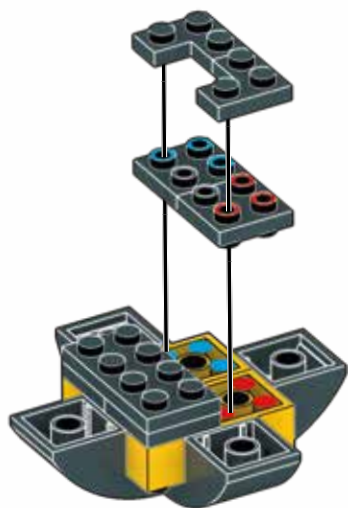
3



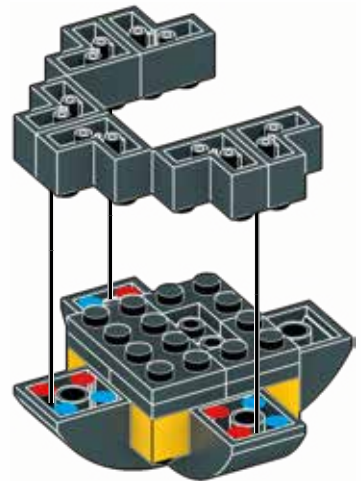
28



29



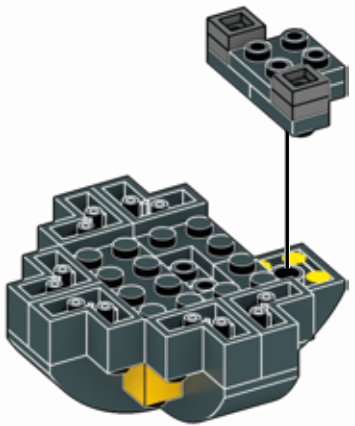
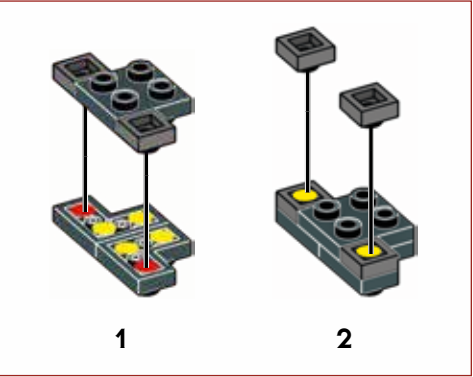
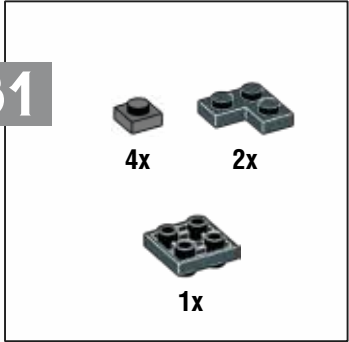
30



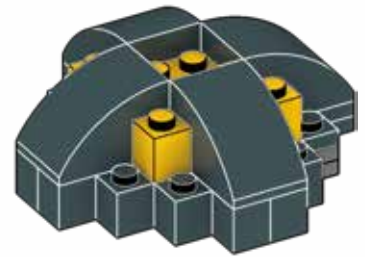
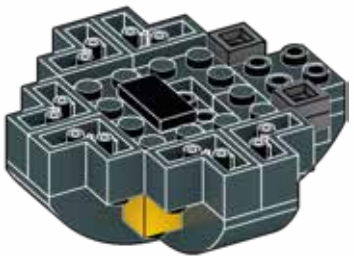
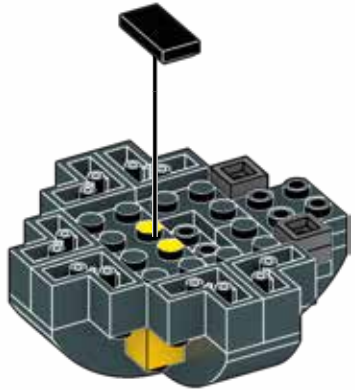
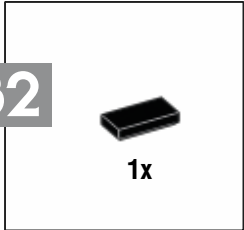
12



31



32



1

2

3

13

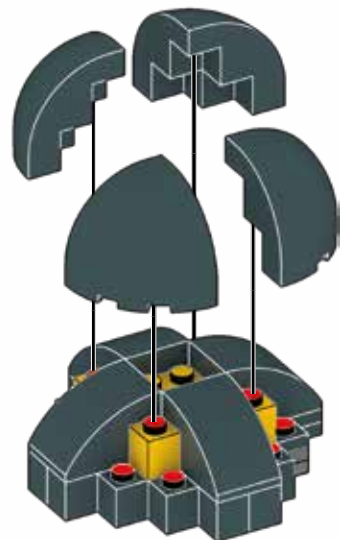




33



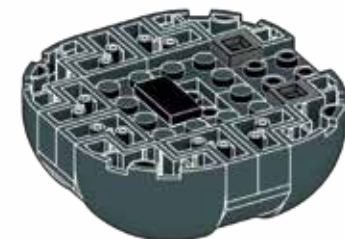
4x



1



2



3

34



1x

1x



2x



35



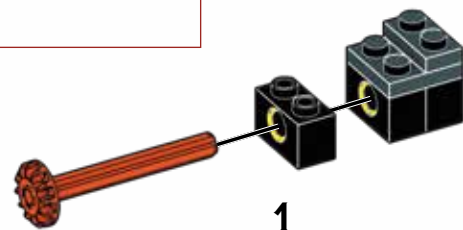
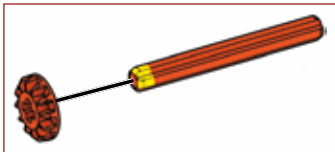
1x



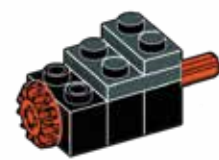
1x



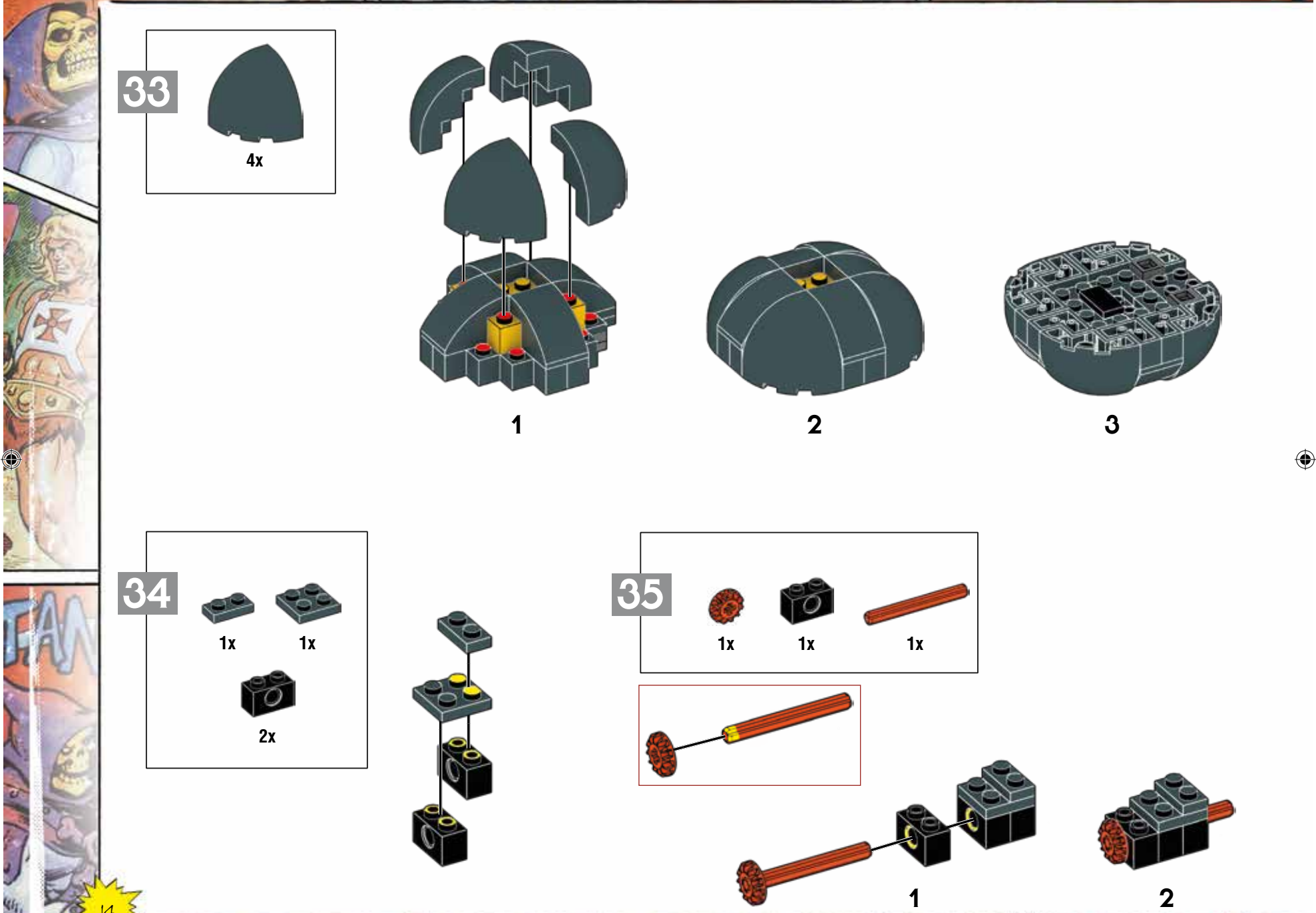
1x



1



2



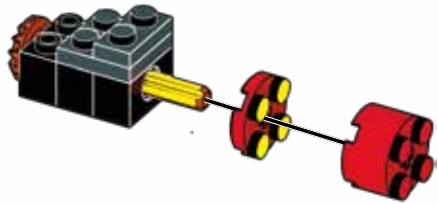


36



1x

1x



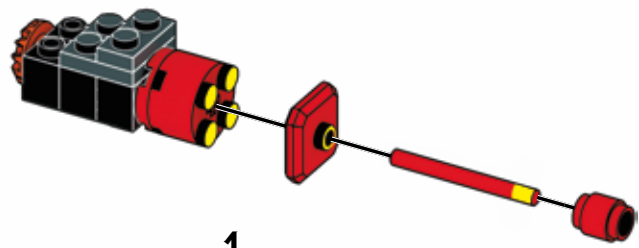
37



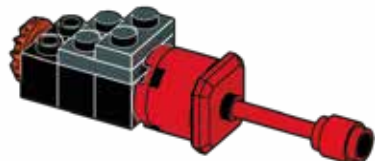
1x

1x

1x

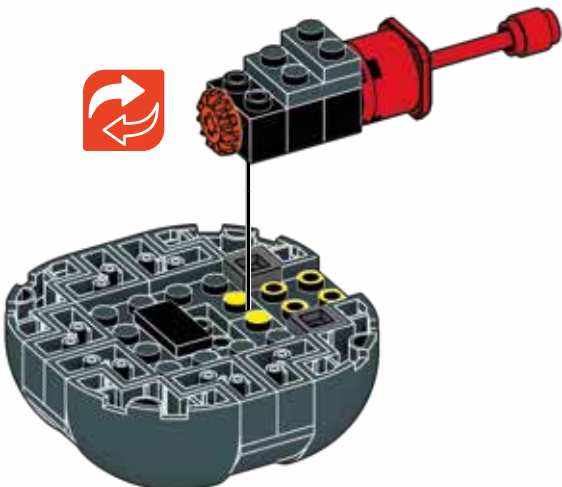


1



2

38



15



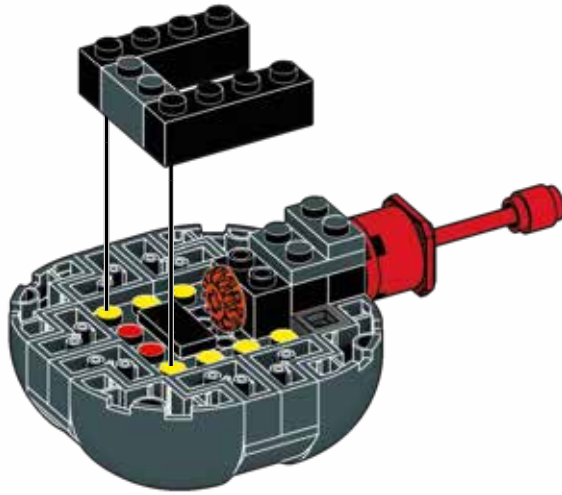


39



1x

2x



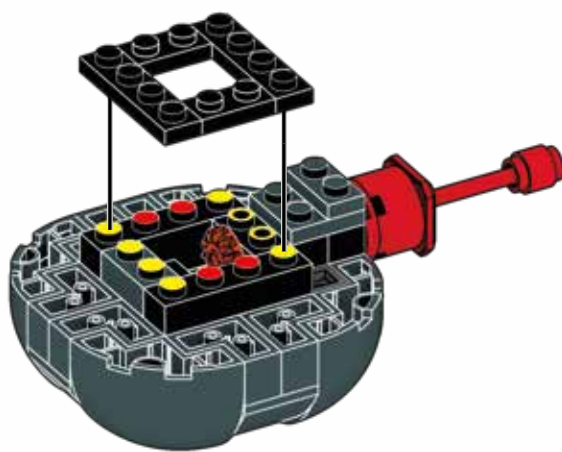
40



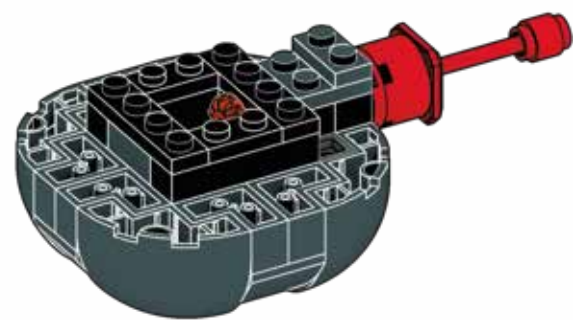
2x



2x



1



2

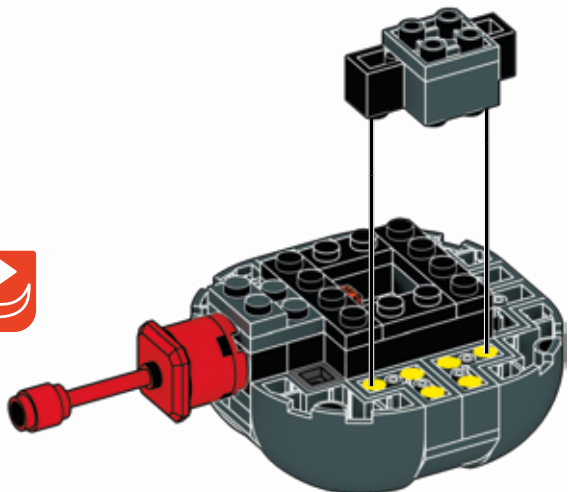
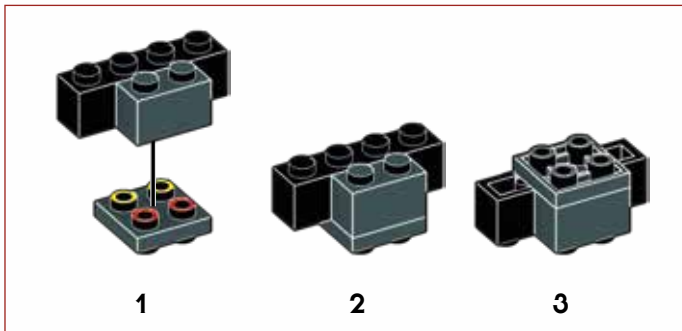
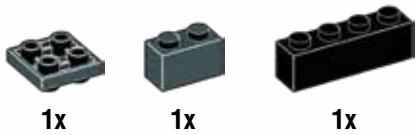
16



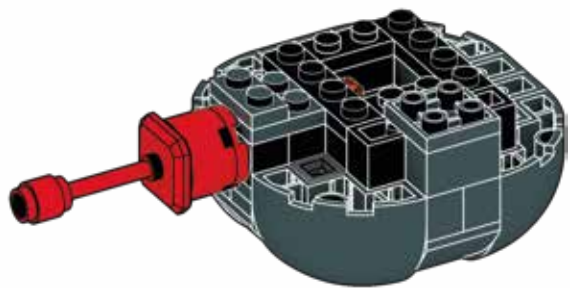




41



1

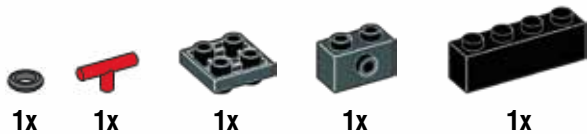


2

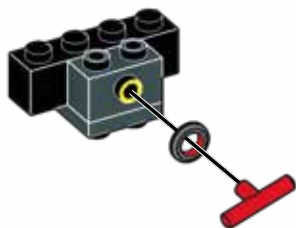
17



42



1



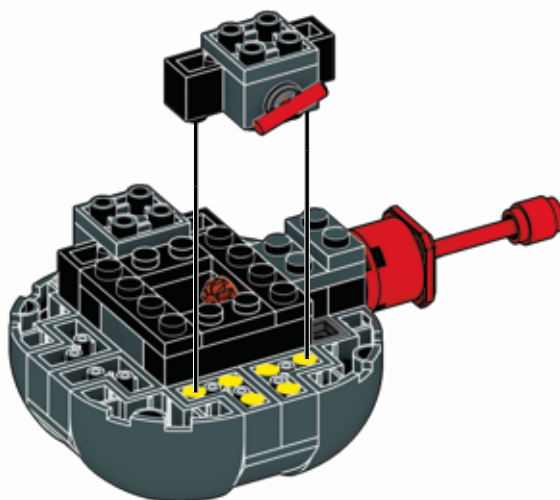
2



3



4



18



43



1x



1x



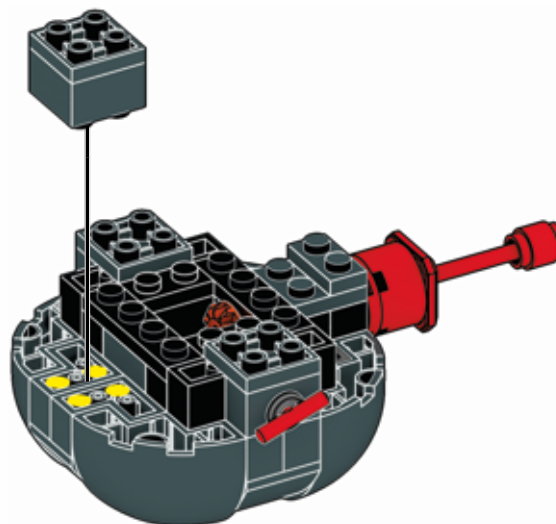
1



2



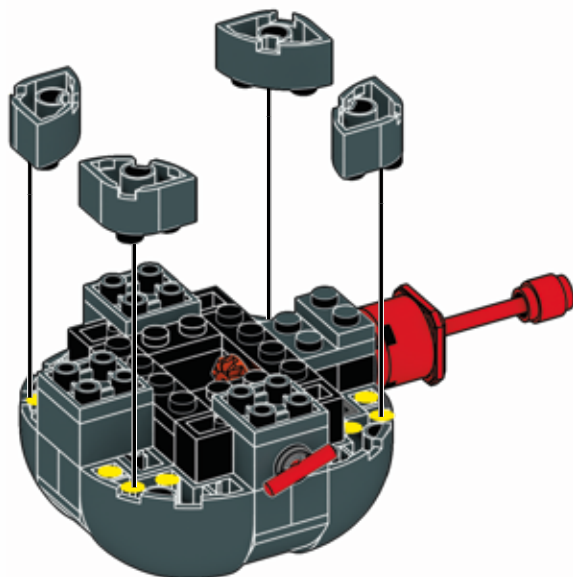
3



44



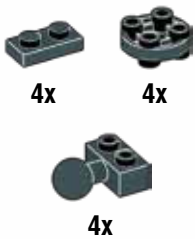
4x



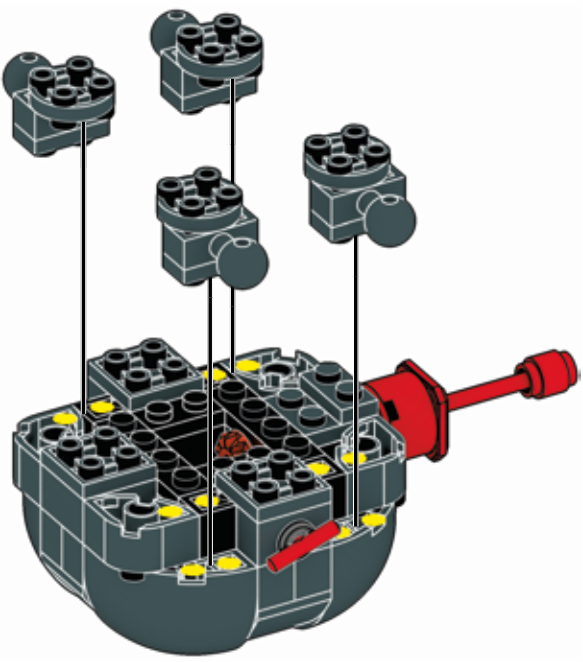
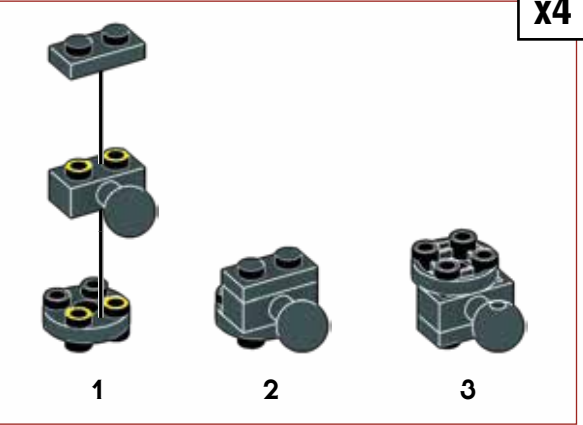
19



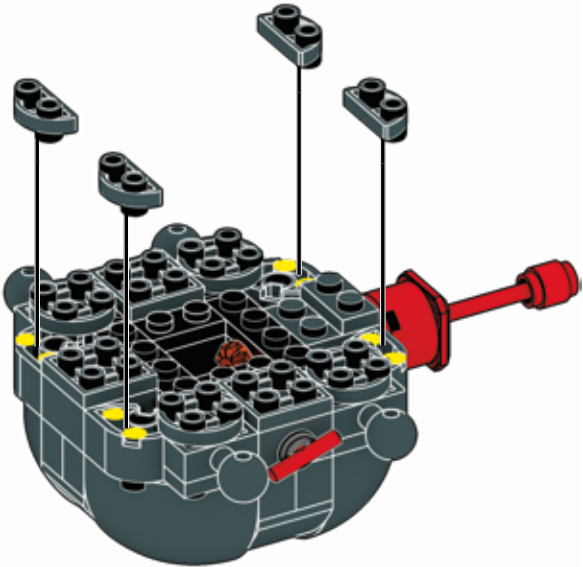
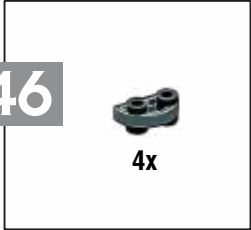
45



x4



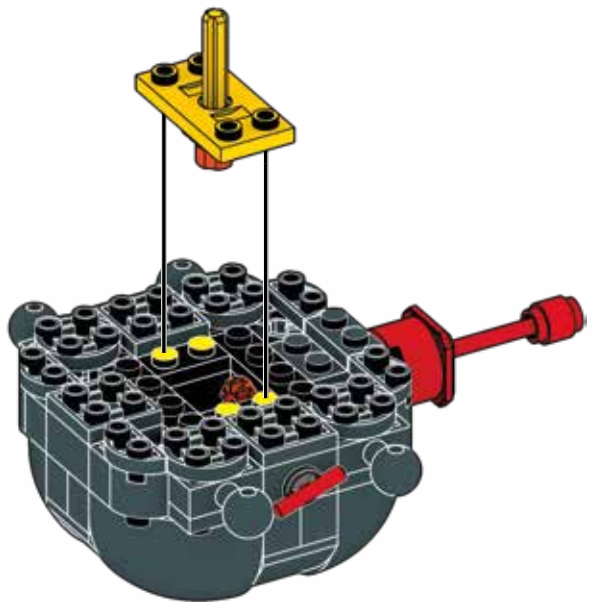
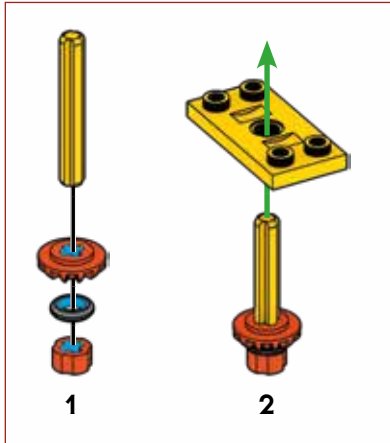
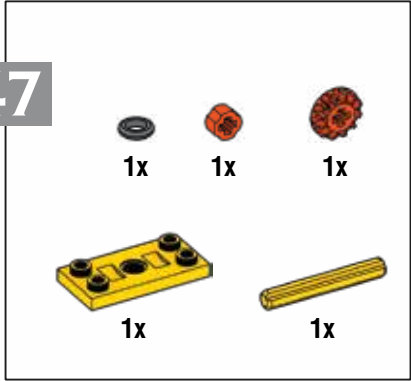
46



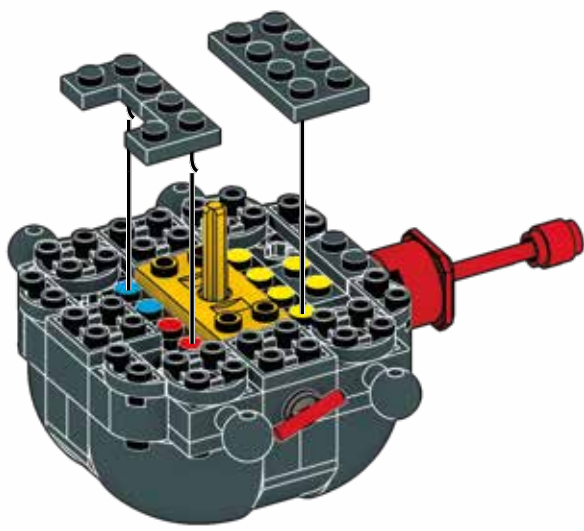
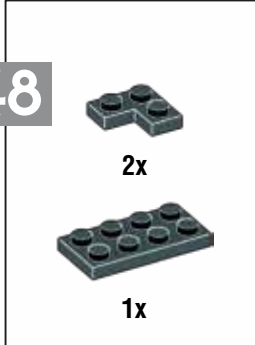
20



47



48



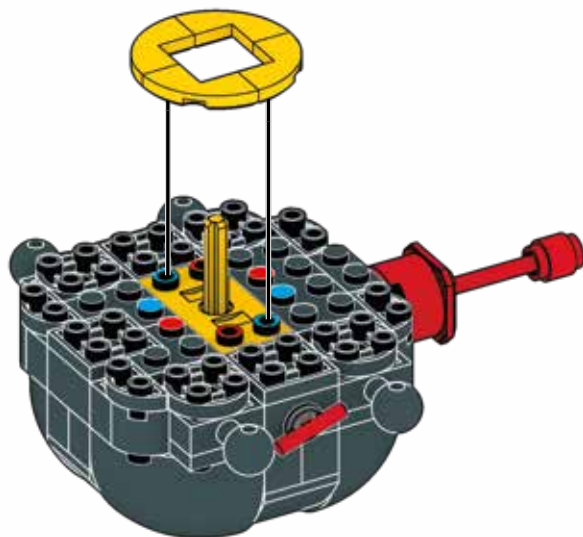
21



49



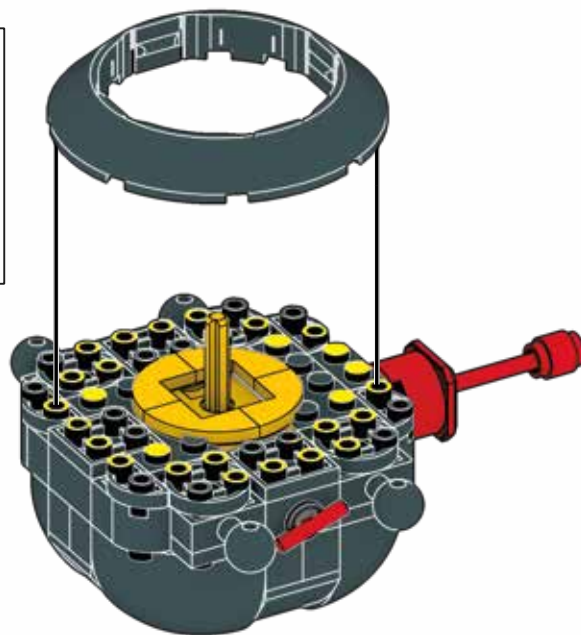
4x



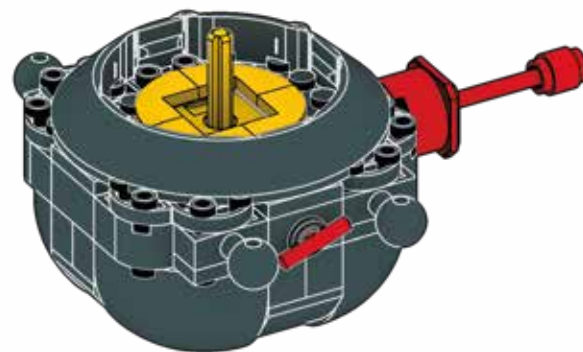
50



1x



1



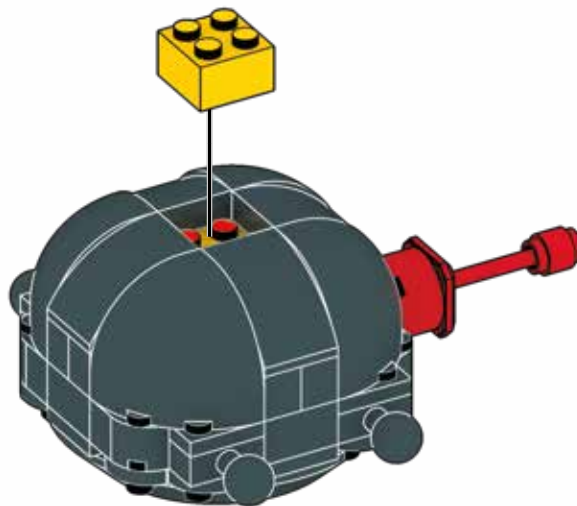
2



51



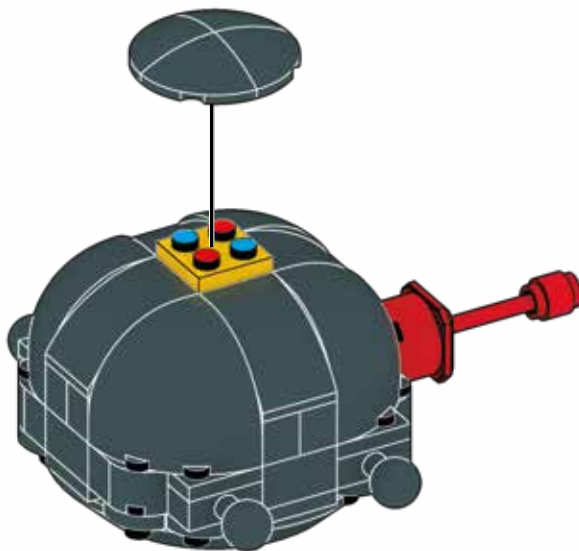
1x



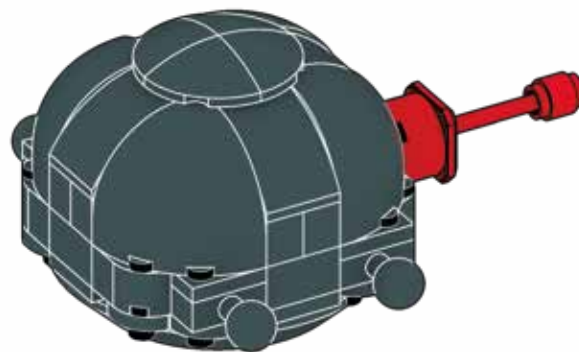
52



4x



1



2

23

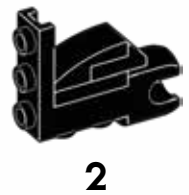
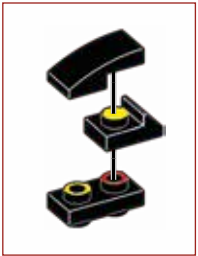
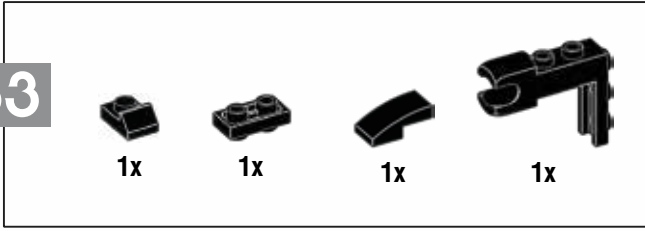




x4



53

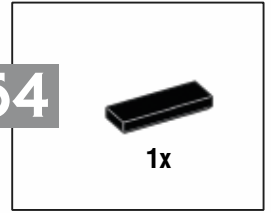


1

2

3

54



1x

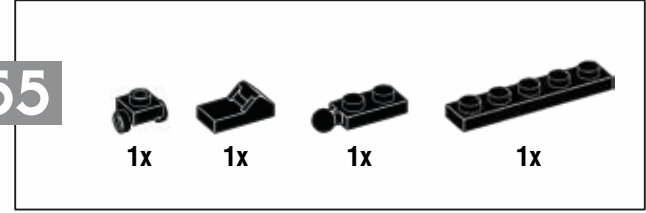


1



2

55

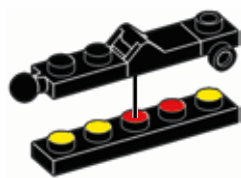


1x

1x

1x

1x



1



2

24

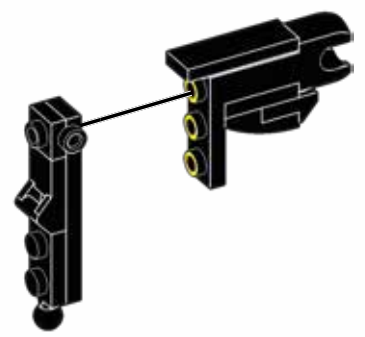




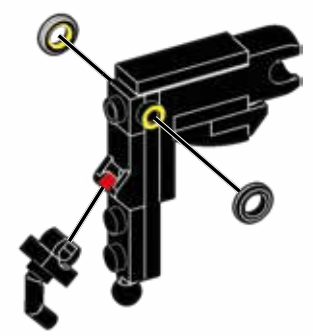
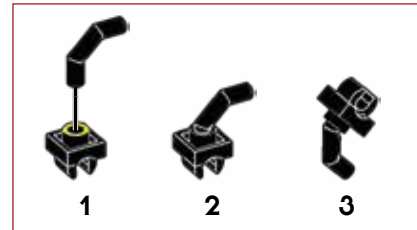
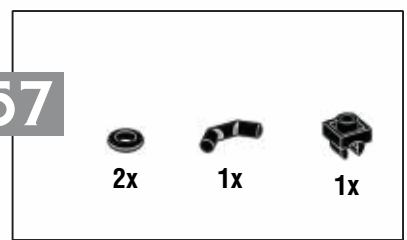


**x4**

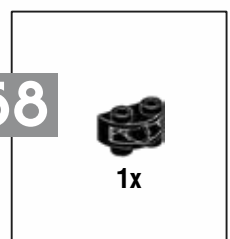
**56**



**57**



**58**



**1**



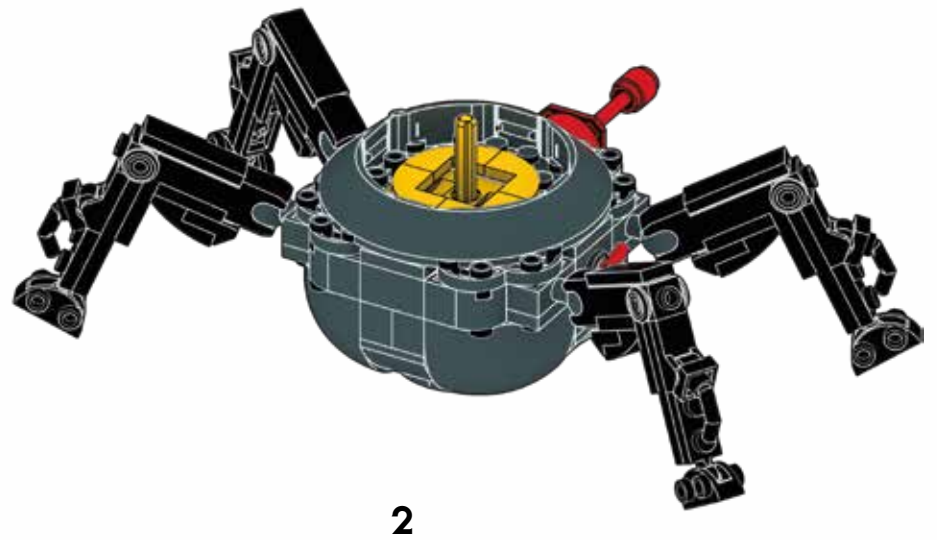
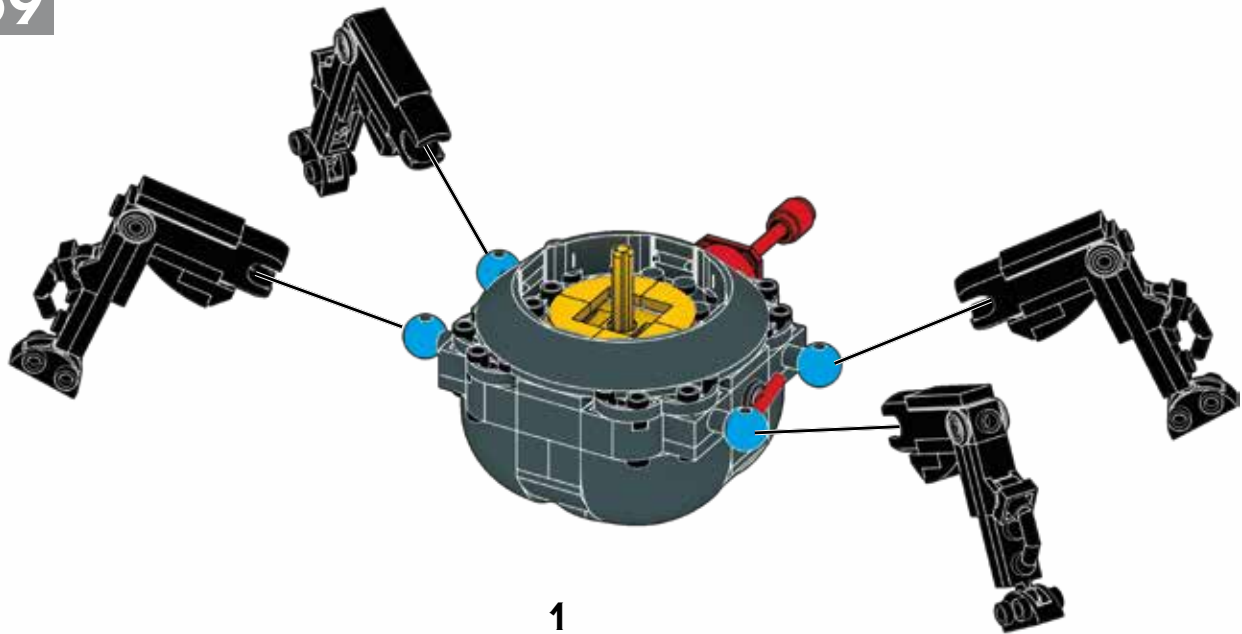
**2**

**25**





59

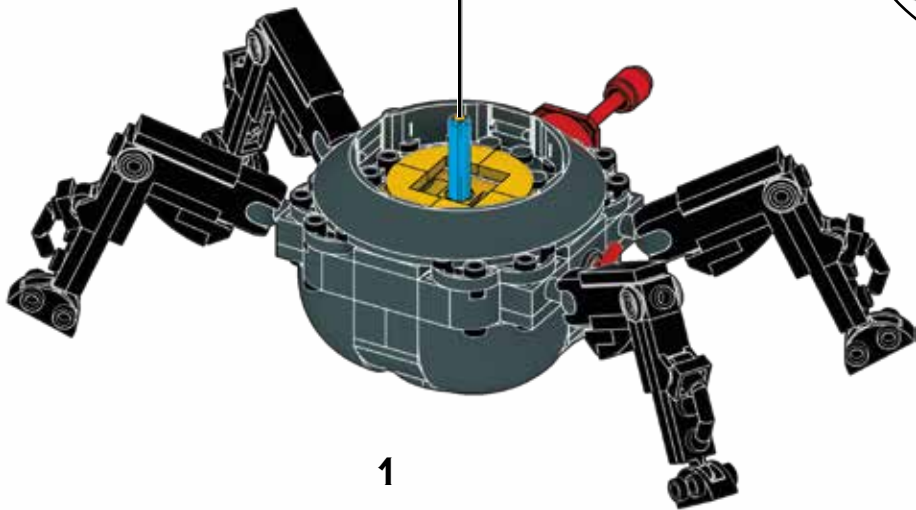
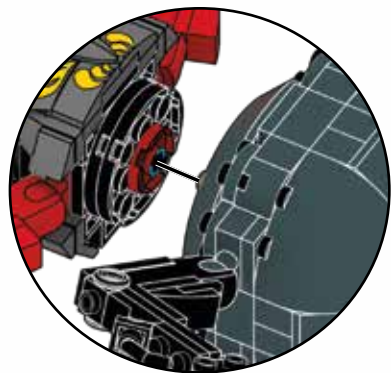
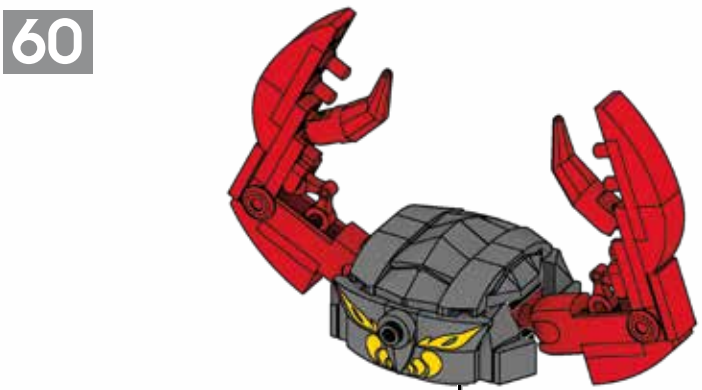


26

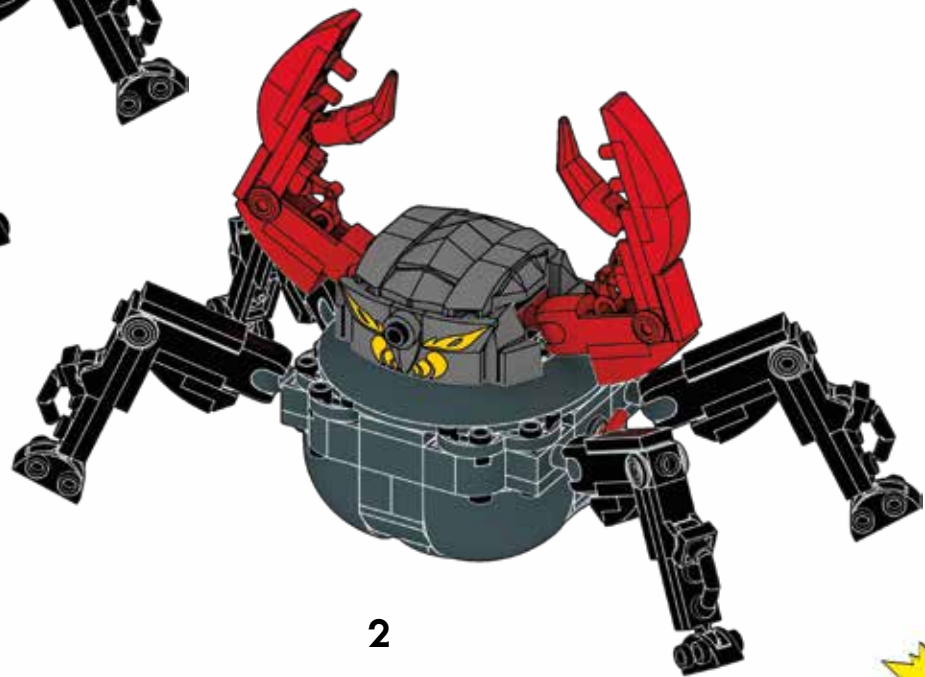




60



1



2

27





28





**She-Ra™ vs Hordak & Monstroid™ / She-Ra™ contro Hordak & Monstroid™ / She-Ra™ vs Hordak i Monstroid™**  
**She-Ra™ VS Hordak & Monstroid™ / She-Ra™ εναντίον Hordak & Monstroid™ / She-Ra™ ve Hordak ile Monstroid™**  
**She-Ra™ Hordak és Monstroid™ ellen / She-Ra™ mot Hordak och Monstroid™ / She-Ra™ vs. Hordak og Monstroid™**  
**She-Ra™ vs Hordak a Monstroid™ / She-Ra™ vs. Horwwdak a Monstroid™ / She-Ra™ ضدّ Hordak و Monstroid™**



8x  
AM77341F

2x  
AM77341BDG

4x  
AM77341AMC

1x  
AM79915MCX

2x  
AM07223BDG

5x  
AM03328BDG

2x  
AM77574BDG

2x  
AM79665BDG

2x  
AM79590F

4x  
AM18623F

4x  
AM78273F

2x  
AM78273AMC

6x  
AM17127BDG

2x  
AM78275AMC

1x  
AM73334AMC

2x  
AM19650AMC

4x  
AM17003AMC

2x  
AM78291AMC

4x  
AM76052F

1x  
AM78279BDG

1x  
AM18287AMC

4x  
AM19530F

2x  
AM79873MCX

4x  
AM78391TA

2x  
AM17131BDG

2x  
AM022501F

2x  
AM022501AMC

7x  
AM09393F

5x  
AM09393TA

2x  
AM09393AMC

4x  
AM16680F

2x  
AM79070F

2x  
AM76467F

4x  
AM78276F

2x  
AM72340AMC

4x  
AM18667BYE

2x  
AM74427BDG

1x  
AS-HFF27-01

2x  
AM74426BDG

1x  
AS-HFF27-02

4x  
AM18901F

3x  
AM72494BDG

3x  
AM72495BDG

4x  
AM78486F

1x  
AS-HFF27-03

1x  
AS-HFF27-04

2x  
AM77017AMC

2x  
AM19646AMC

4x  
AM19380TA

4x  
AM78281F

2x  
AM17788AMC

1x  
AM18601TA

3x  
AM79877F

2x  
AM09013TA

4x  
AM79227TA

2x  
AM79227AMC

1x  
AM73009AMC

1x  
AM03773TA

2x  
AM03773F

8x  
AM01146TA

1x  
AM19729AMC

1x  
AM09023BYE

1x  
AM09023TA

2x  
AM75151BDG

2x  
AM75152BDG

2x  
AM81013BDG

6x  
AM15484TA

6x  
AM17153TA

1x  
AM19647AMC

4x  
AM76525TA

4x  
AM02212TA

4x  
AM80966F

4x  
AM72600AMC

4x  
AM07230AMC

1x  
AM77465BDG

5x  
AM01087F

1x  
AM79871BYE

2x  
AM09493TA

2x  
AM09493F

2x  
AM76367F

2x  
AM09033BYE

3x  
AM76357AXT

1x  
AM76521AMC

3x  
AM09593F

4x  
AM07475F

1x  
AM80223BYE

1x  
AM80260MCX

2x  
AM80039AMC

4x  
AM80039F

1x  
AM18783TA

4x  
AM18732TA

4x  
AM19781TA

1x  
AM80855MCX

**Missing pieces? • Pièces manquantes?**

¿Partes faltantes? • Perdeu peças?  
Fehlen Teile? • Не хватает деталей?

[support.megabrand.com](http://support.megabrand.com)

1x  
FIG-HFF27-A

1x  
AM80202MM

1x  
AM19392MM

1x  
AM79173MM

1x  
FIG-HFF27-B

1x  
AS-HFF27-OS

1x  
FIG-HFF27-C

1x  
AM81401E

Mattel Europa B.V., Gondel 1, 1186 MJ Amstelveen, Nederland. Mattel U.K. Limited, The Porter Building, 1 Brunel Way, Slough SL1 1FQ, UK. Mattel France, Parc de la Cerisaie, 1/3/5 allée des Fleurs, 94260 Fresnes Cedex. N° Cristal 0969 36 99 99 (Numéro non surtaxé) ou www.lesjouetsmattel.fr Mattel Belgium, Trade Mart, Atomiumsquare, Bogota 202 - B 275, 1020 Brussels. Gratis nummer België: 0800 - 16 936 - Gratis nummer Luxemburg: 800 - 22 784 - Gratis nummer Nederland: 0800 - 262 88 35. Deutschland: Mattel GmbH, Solmsstraße 83, D-60486 Frankfurt am Main. Schweiz: Mattel AG, Kirchstrasse 24, CH-3097 Liebefeld. Österreich: Mattel Ges.m.b.H., Campus 21, Liebermannstraße A01 404, A- 2345 Brunn/Gebirge. Mattel Italy Srl, Via Turati 4, 20121 Milano, Italy. Servizio assistenza clienti: Customersrv.italia@mattel.com - Numero verde 800 11 37 11. Mattel España, S.A., Aribau 200 pl. 9, 08036 Barcelona. cservice.spain@mattel.com Tel: +34 933 06 79 00 <http://www.service.mattel.com/es>. Mattel East Asia Ltd., Room 503-09, North Tower, World Finance Centre, Harbour City, Tsimshatsui, HK, China. Tel: (852) 3185-6500. Diimport & Diedarkan Oleh: Mattel Continental Asia Sdn Bhd. Level 19, Tower 3, Avenue 7, No. 8 Jalan Kerinchi, Bangsar South, 59200 Kuala Lumpur, Malaysia. Mattel South Africa (PTY) LTD, Office 102 I3, 30 Melrose Boulevard, Johannesburg 2196. Dystrybutor: Mattel Poland Sp. z o.o., Warsaw Trade Tower 34 p., ul. Chłodna 51, 00-867 Warszawa. Mattel Australia Pty. Ltd., 658 Church St., Richmond, Victoria, 3121. Consumer Advisory Service - 1300 135 312. Mattel AEBE, Εβδούχου Μακαρίου 1, Κτήριο Κ-2, ΤΚ 17561, Παλαιό Φάληρο. Mattel Oyuncakçılık Tic. Ltd. Şti. İçerenköy Mah., Umut Sok. No:10-12 Quick Tower Kat:2/15 34752 Ataşehir İstanbul Tel: 0216 570 75 00. Импортёр/Уполномоченная организация: ООО "МАТТЕЛ" Российская Федерация, 105120 Москва, 2-й Сыромятинский переулок; +7 495 287 79 39. Mattel Czech Republic s.r.o., The Forum, Václavské nám. 19, 11000 Praha 1. Mattel, 333 Continental Boulevard, El Segundo, CA 90245, USA. Consumer Services: 1-800-465-MEGA (6342). Mattel Canada Inc., Mississauga, Ontario L5R 3W2. Consumer Services: You may call us free at/ Composez sans frais le 1-800-524-8697. Importado y distribuido por Mattel de México, S.A. de C.V., Miguel de Cervantes Saavedra No. 193, Pisos 10 y 11, Col. Granada, Alcaldía Miguel Hidalgo, C.P. 11520, México, Ciudad de México. R.F.C. MME-920701-NB3. Tels: 59-05-51-00 Ext. 5206 ó 01-800-463-59-89. Mattel Chile, S.A., Avenida Américo Vespucio 501-B, Quilicura, Santiago. Tel: 1230-020-6213. Servicio al consumidor Venezuela: Tel: 0-800-100-9123. Mattel Argentina, S.A., Av. Libertador 1000, Piso 11 - Oficinas 109 y 111, Vicente López - Prov. Buenos Aires. Tel: 0800-666-3373. Mattel Colombia, S.A., Calle 123#7-07 P5, Bogotá. Tel: 01800-710-2069. Mattel Perú, S.A., Av. Juan de Arona # 151, Centro Empresarial Juan de Arona, Torre C, Piso 7, Oficina 704, San Isidro, Lima 27, Perú. RUC: 20425853865. Reg. Importador: 02350-12-JUE-DIGESA. Tel: 0800-54744. E-mail Latinoamérica: servicio.clientes@mattel.com. Mattel do Brasil Ltda - CNPJ: 54.558.002/0001-20 - Rua Verbo Divino, 1488 - 2º Andar - 04719-904 - Chácara Santo Antônio - São Paulo - SP - Brasil. Serviço de Atendimento ao Consumidor: fone 0800 575 0780. E-mail: sac.mattel@brasil.mattel.com

31

AD-HFF27-02A.indd 31

2022-09-27 10:54

# BUILD YOUR COLLECTION CONSTRUISEZ VOTRE COLLECTION



GGI67



HHD16



HDK07



GVI14

## CONSTRUYE TU COLECCIÓN • CONSTRUJA A SUA COLEÇÃO ERWEITERE DEINE SAMMLUNG • ПОСТРОЙТЕ СВОЮ КОЛЛЕКЦИЮ

Set(s) sold separately and subject to availability. / Ensemble(s) vendu(s) séparément. Certains produits peuvent ne pas être commercialisés. / Se vende(n) por separado y está(n) sujeto(s) a disponibilidad. / Conjunto(s) vendido(s) em separado e sujeito(s) à disponibilidade. / Set in vendita separatamente, secondo disponibilità. / Das/Die Set(s) sind separat erhältlich. / Zestaw(y) sprzedawany(e) oddzielnie w zależności od dostępności. / Set(s) apart verkrijgbaar en afhankelijk van beschikbaarheid. / Набор(-ы) продаются отдельно, при наличии. / Sæt sælges separat og så længe lager haves. / Seten säljs separat så länge lagret räcker. / Settet/settene selges separat så langt lageret rekker. / Pakkaus/pakkaukset myydään erikseen, saatavuus voi vaihdella. / Το(α) σετ πωλούνται ξεχωριστά και ανάλογα με τη διαθεσιμότητα. / Setler ayrı olarak satılır ve stoklarla sınırlıdır. / Set (sety) se prodává (prodávaji) samostatně dle aktuální nabídky. / Súprava/-y sa predáva(jú) samostatne a podľa dostupnosti. / A készlet(ek) külön kapható(k), az elérhetőség változhat. / セット商品は別売りになります。在庫状況は別途ご確認をお願いします。 /

تباع المجموعه أو المجموعه على حده وتخضع لتوافرها.  
每套单独发售，按供货情况决定。

HE-MAN™, MASTERS OF THE UNIVERSE® and associated trademarks and trade dress are owned by, and used under license from Mattel. ©2022 Mattel.

©2022 MEGA Brands &™ MEGA Brands.  
Printed in China / Imprimé en Chine

AD-HFF27-02A

1186 MJ, 1, NL

P D714,887, D781,964, D797,203, D799,607, D835,727,  
D841,101, D834,105

Mattel Canada Inc. Mississauga, Ontario L5R 3W2.  
MADE IN CHINA. FABRIQUÉ EN CHINE. FABRICADO NA CHINA. HECHO EN CHINA.  
ИЗГОТОВЛЕНО В КИТАЕ. ÇIN'DE ÜRETİLMİŞTİR. صنع في الصين

