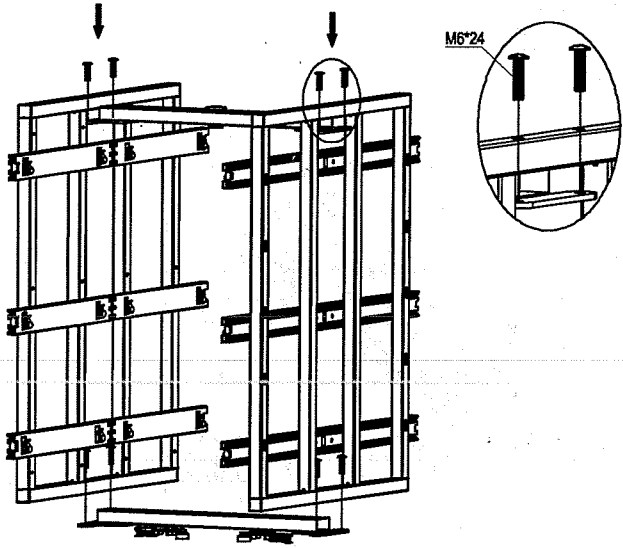
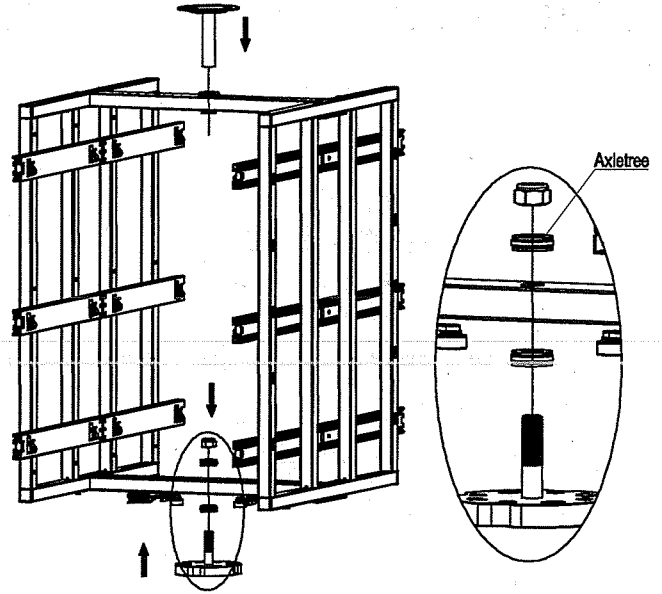


Step 2: Connet side frames with central bar by 4pcs screw.



Step 3: Install the up and down fastness into the hole of the joint tubes, and fasten the down fastness with screws.



Step 4: Install the frame into the cabinet, and use the self-tapping screws to fix the up and down fastneww to the cabinet board.

