

A close-up photograph of wooden kitchen cabinets with a light-colored wood grain. The focus is on two drawers, each featuring a long, rectangular brass handle. The handles are mounted with circular brass backplates. The background is softly blurred, showing a white countertop and a window with a patterned curtain.

Decorative Hardware Measuring Guide

2024

 Lee Valley



MEASURING YOUR HARDWARE

Choosing the Right Size

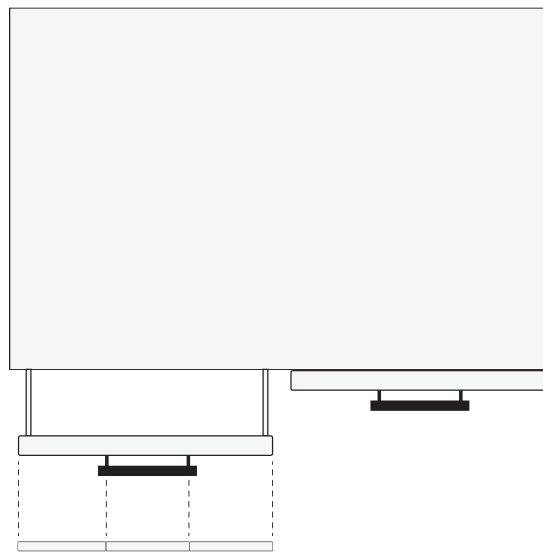
Selecting the correct size to suit your cabinetry is essential for both appearance and function.

Drawers and cabinets range in size, so it can be difficult to determine what size you need. While there is no set rule, we generally recommend that the pull length is approximately 1/3 of the cabinet or drawer width.

Small Drawers that are 12" or less typically work best with a pull that is 3" to 4" long or a knob that is 1" in diameter.

Medium Drawers that are between 12" to 30" work well with a pull that is between 4" to 8" long or a knob that is between 1" to 1.5" in diameter.

Large Drawers that are 30" to 48" will require a pull that is longer than 8" or a knob that is 1" in diameter or greater. Using two pulls or knobs for a large drawer also works great.



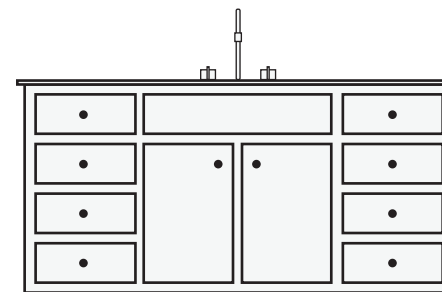
“In general, a 1:3 pull-to-drawer ratio works best”

Hardware Placement

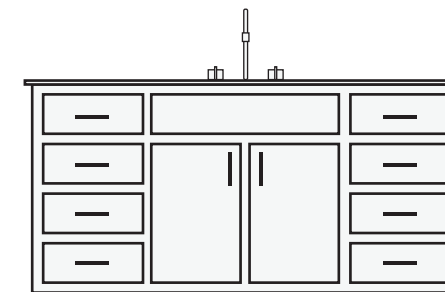
Mixing knobs and handles or pulls can create a sense of balance and variation in a room.

There are multiple ways of combining the two to maximize your desired effect, whether it's knobs on all drawers and handles on cabinets or vice-versa, or having one type up high and the other down low. Find the combination that best expresses your aesthetic preferences.

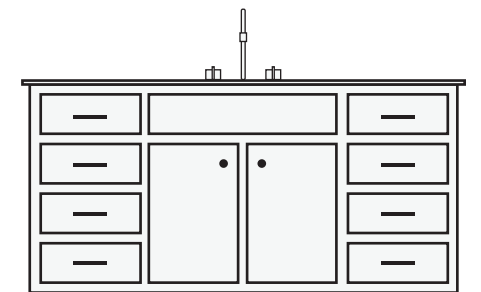
The placement of the hardware on the panels is another thing to factor in when planning your cabinetry. Centred-align handles and knobs convey a more traditional look and feel, while a raised installation adds to the functionality and comfort when reaching out to open it.



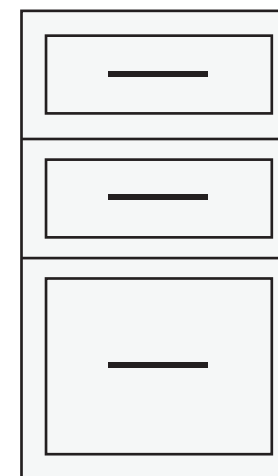
All Knobs



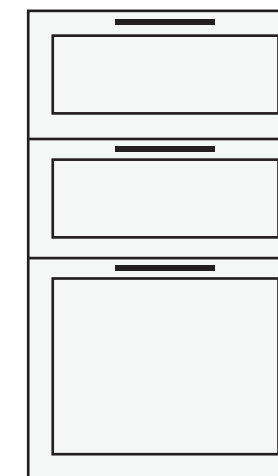
All Handles



Handles + Knobs



Centered



Raised



Evenly Spaced

Measuring Handles

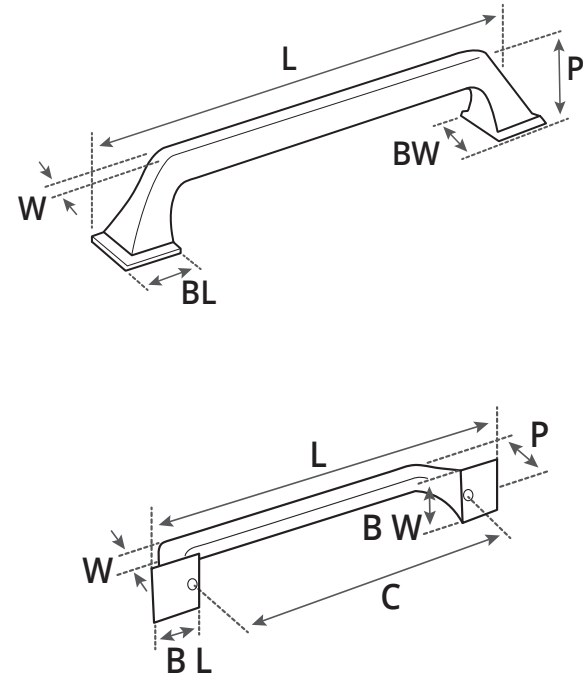
Handle / Pull Sizes

Handles and pulls come in a variety of sizes, with dimensions given as center to center. Sizes range from around 3" to about 320mm or just over 12". For projects that require a larger size, appliance handles are around 12" to 18".

Larger handles and pulls are especially effective for use on wide drawers and tall cabinets, as they are proportional and allow a full-handed grip to better deal with the increased weight.

Legend:

L=Length **P=Projection**
W=Width **BL=Base Length**
C=Center-To-Center **BW=Base Width**



Measuring Knobs

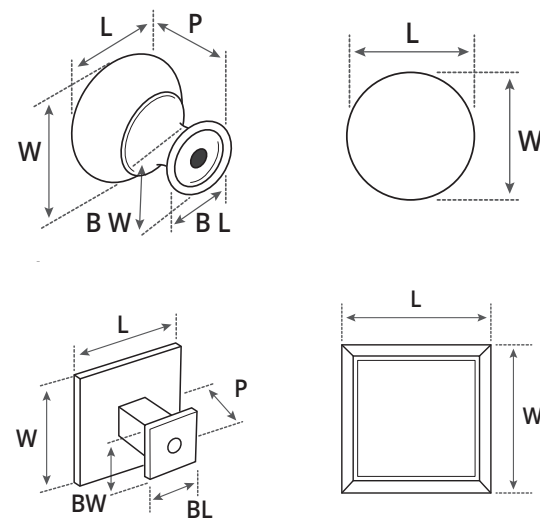
Knob Sizes

Standard knob sizes are around 1 1/4" in diameter or overall length (for square knobs) with a projection of 1 1/16" to 1 1/4". Knobs of this size are understated and quite versatile.

Larger knobs provide a bold statement. They are offered in sizes up to around 2" diameter or overall length (for square knobs) with a projection of 1 1/4" to 1 1/2".

Legend:

L=Length **BL=Base Length**
W=Width **BW=Base Width**
P=Projection



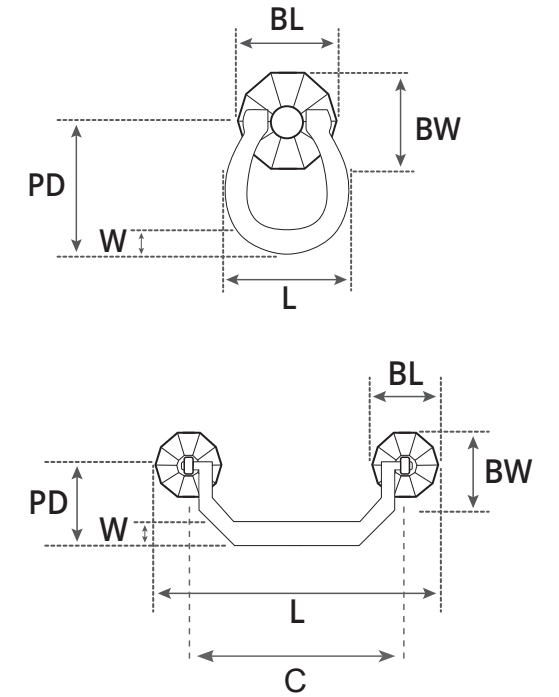
Measuring Bail Pulls

Bail Pull Sizes

Drop Bail Pulls, also known as swing handles or drop handles, feature a handle that is suspended from a decorative backplate by two curved arms with dimensions given as center to center.

Legend:

L=Length **P=Projection**
W=Width **BL=Base Length**
PD= Pull Drop **BW=Base Width**
C=Center-To-Center



Measuring Pendulums

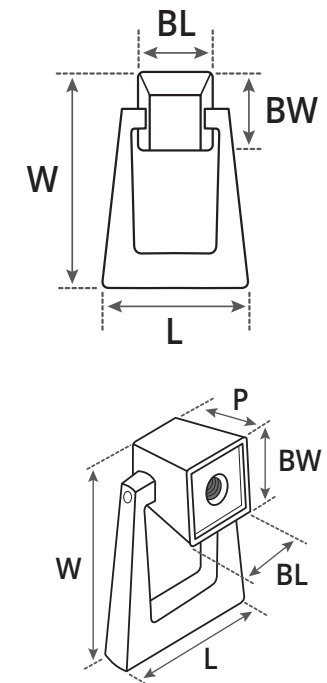
Pendulum Pull

Pendant pulls are known for their distinct hanging design, resembling a pendant or a charm.

Consider getting pendulums with enough clearance or stop between the hardware and the mounting surface to avoid damaging your cabinet.

Legend:

L=Length **BL=Base Length**
W=Width **BW=Base Width**
P=Projection



Measuring Bail Pulls with Backplates

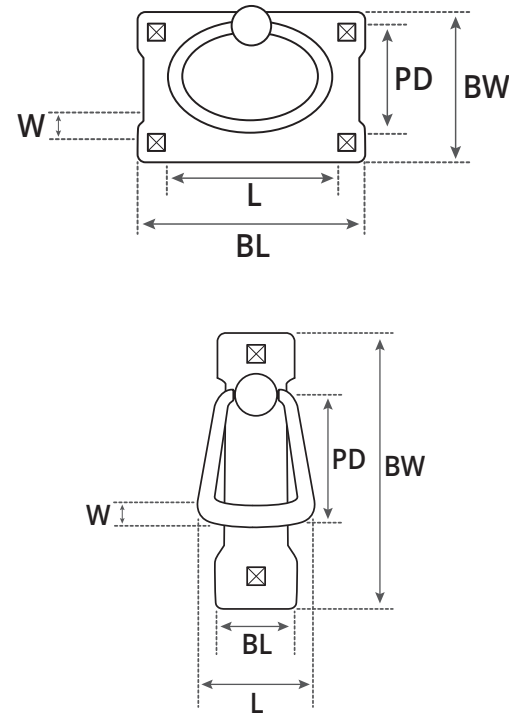
Drop Bail Pulls with Backplates

Drop Bail Pulls are also offered mounted on a backplate. Length is measured center-to-center of the mounting screws of the backplate

Legend:

L=Length
W=Width
PD= Pull Drop
C=Center-To-Center

P=Projection
BL=Base Length
BW=Base Width



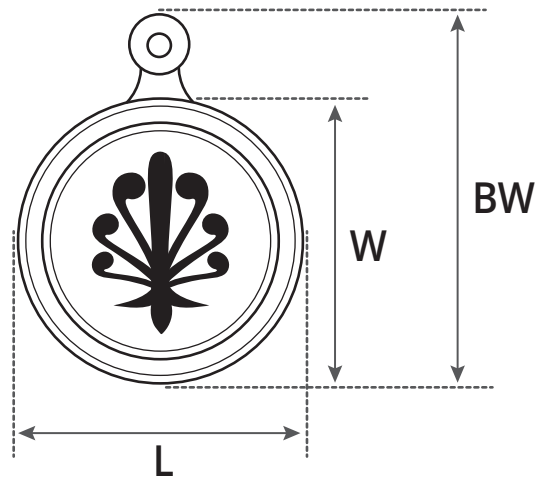
Measuring Bolt Covers

Bed Bolt Covers

Bolt covers measurement includes overall diameter (length and width) and the base width.

Legend:

L=Length
W=Width
BW=Base Width



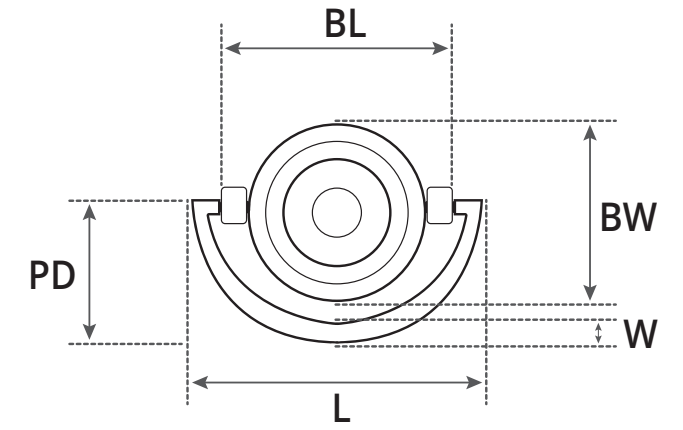
Measuring Horton Handles

Horton Handles measurements include the overall length of the handle, pull drop and the width of the handle.

Legend:

L=Length
W=Width
PD= Pull Drop

BL=Base Length
BW=Base Width



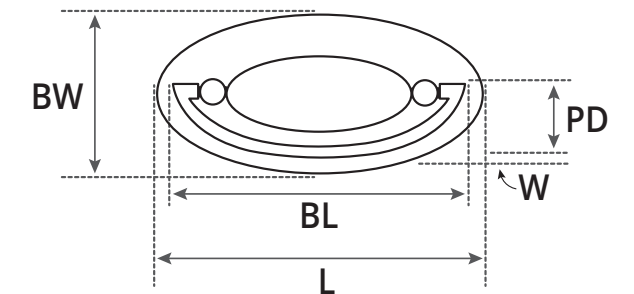
Measuring Horton Handles with Backplate

Horton Handles with backplates sizes given are length by width, with center-to-center measurement in brackets.

Legend:

L=Length
W=Width
PD= Pull Drop

BL=Base Length
BW=Base Width





 Lee Valley