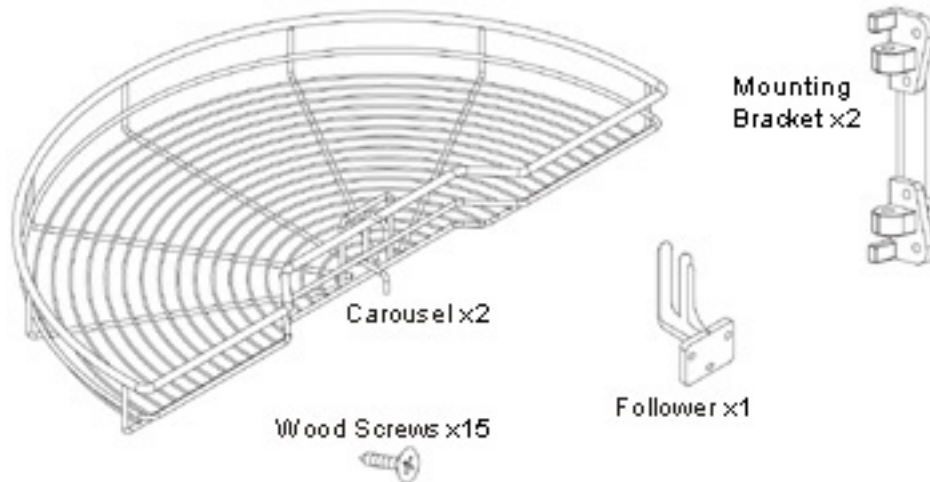


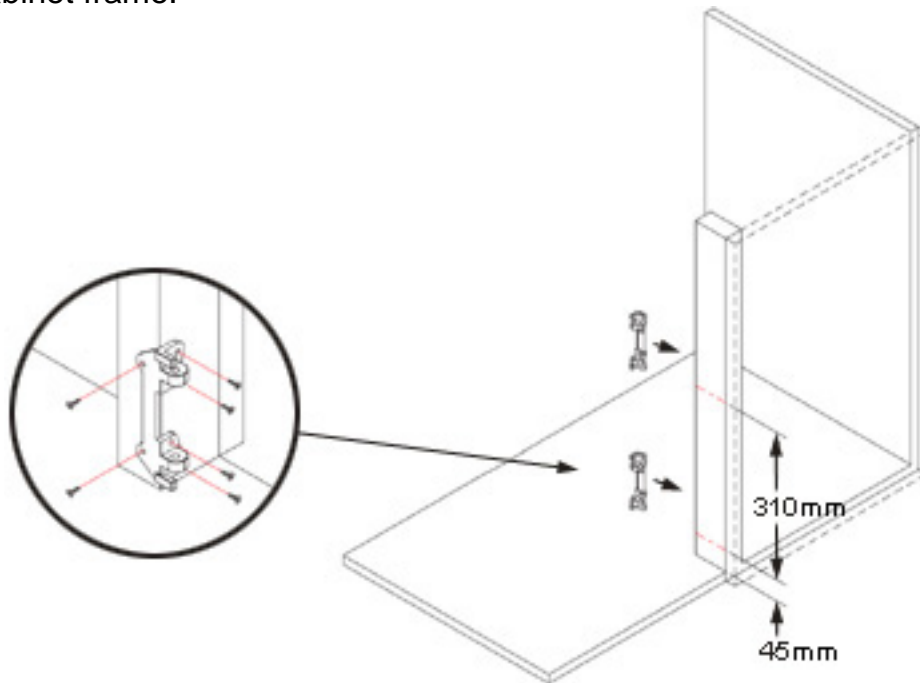
# 180° Wire Carousel

(12K28.18)

The following instructions were provided by the manufacturer.

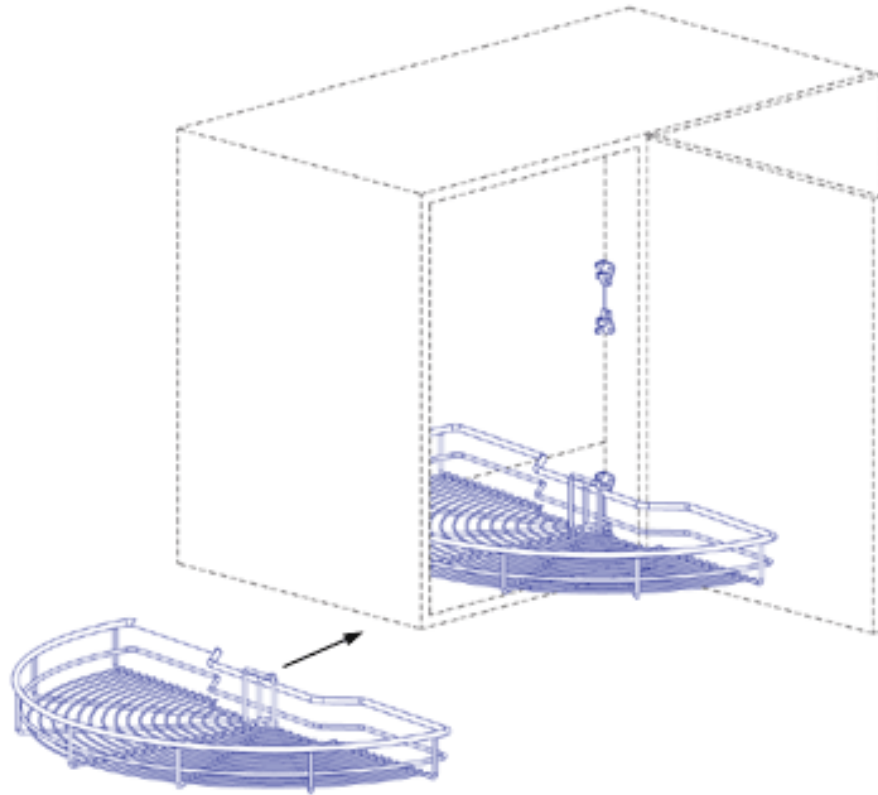


1. Affix mounting brackets to cabinet frame, using six wood screws per bracket, as shown in **Figure 1**. Position the bottom of the lower bracket 45mm from the base of the cabinet frame, and the bottom of the upper bracket 355mm from the base of the cabinet frame.



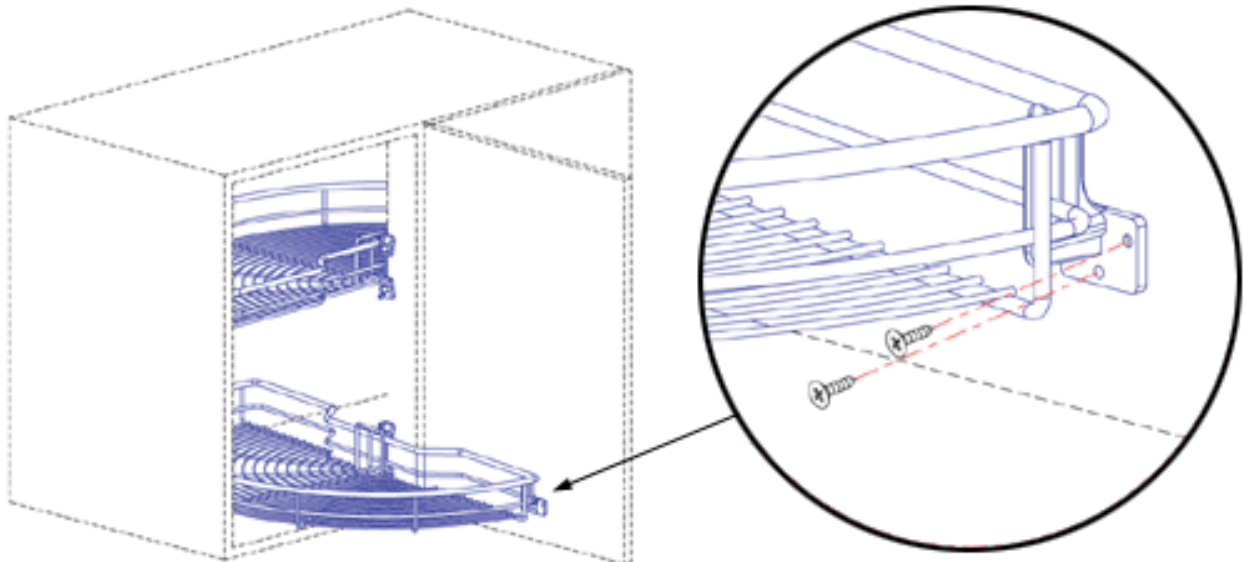
**Figure 1**

2. Place carousels onto mounting brackets.



**Figure 2**

3. Fully open the cabinet door and swing the lower carousel out and flush against the interior of the cabinet door. Slip the follower under the middle wire of the carousel as shown in **Figure 3**. Secure the follower to the cabinet door with three wood screws.



**Figure 3**