

Impulse Sprinkler Head

(DS106)

The following instructions were provided by manufacturer.

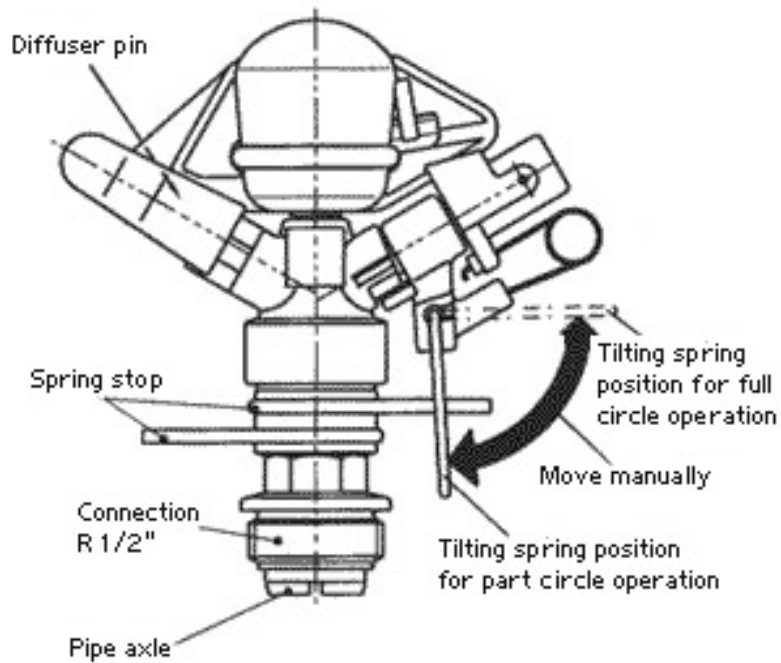


Fig. 1

1. Assembly

Tighten the sprinkler into the thread of the hose adapter.

Size of thread at the sprinkler is R 1/2" MT.

Use teflon.

Make sure that the pipe axle is not blocked by turning the sprinkler manually.

2. Operating Conditions

In order to achieve a proper operation the water pressure at the connection should be between 30 and 75 psi.

The sprinkler should be set up in vertical position.

3. Adjustment

The sprinkler could be operated as part- or as full circle sprinkler (see fig. 1).

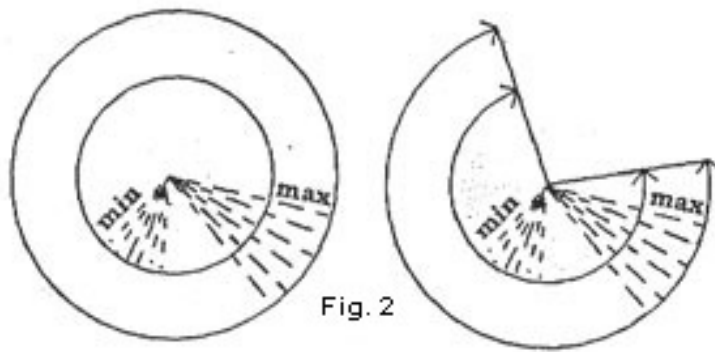


Fig. 2

The sector is adjustable from 30-360° by turning the spring stop (see Fig. 2 and 1).
By the diffuser pin it is possible to reduce the casting range (see Fig. 2).

4. Maintenance

If the sector equipment or the bearing around the pipe axle is contaminated, clean the sprinkler with clear water.
