

# Slim-Line Drawer Slides

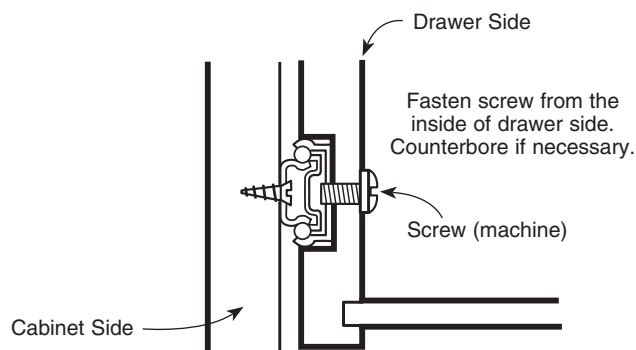
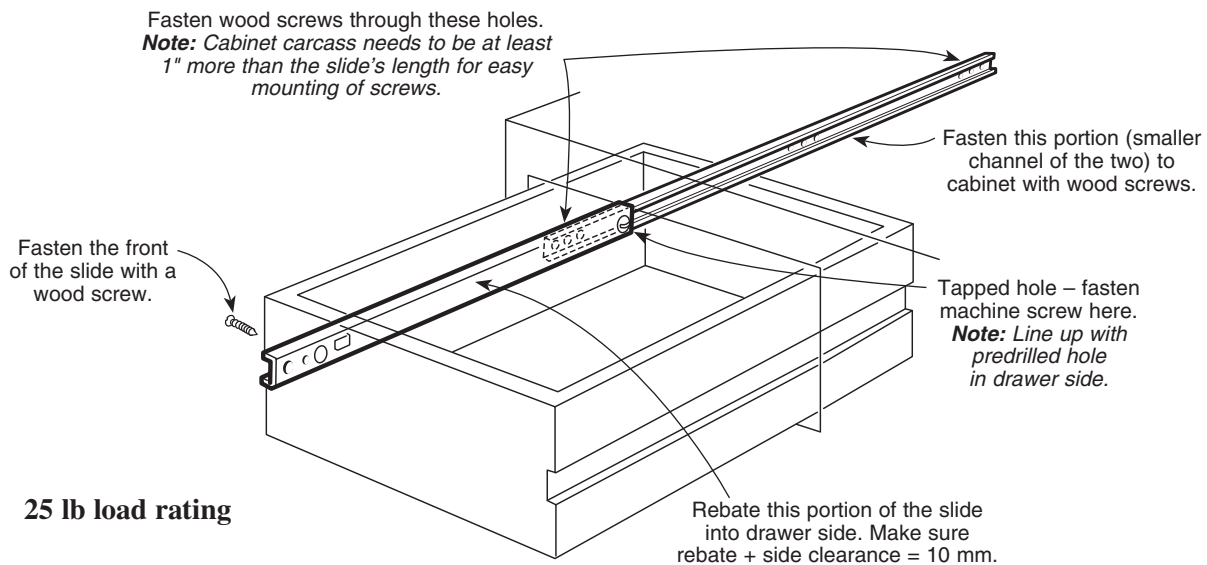
## Installation

These drawer slides fit into a rebate in the drawer sides. The rebate width should be 15 mm minimum to a maximum of 17 mm. You choose the rebate depth according to the thickness of your drawer sides and the amount of side clearance you want. The rebate and side clearance should sum to 10 mm. The minimum side clearance should be 2 mm.

## To Install

1. Fasten the slides to the cabinet sides. Please note that the cabinet carcass needs a depth of at least 1" more than the slide's length for easy mounting of fastening screws (move slide back for access to mounting holes).

2. Measure the distance to the tapped hole in the drawer side of the slide and drill a clearance hole in the drawer as required. With thick drawer sides, you may have to countersink this hole to allow the screw to engage the tapped hole in slide. Drill a pilot hole of 4 mm (5/32") in the drawer side to accommodate the machine screw. Machine screw should be towards the rear of the drawer slide.
3. With the rebates already prepared in drawer sides, slide the drawer onto the drawer slides. Line up the predrilled pilot holes in the drawer sides with the tapped holes in the slide. Fasten drawer to slide with the supplied machine screws (M4-9).
4. Fasten the front of the slide with a wood screw (not included).



View from Back of Cabinet