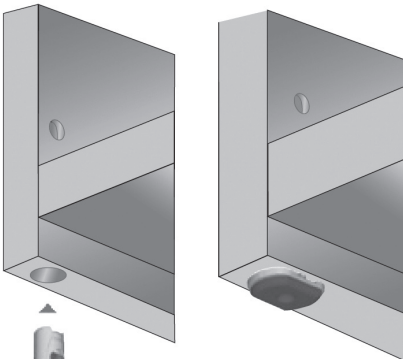
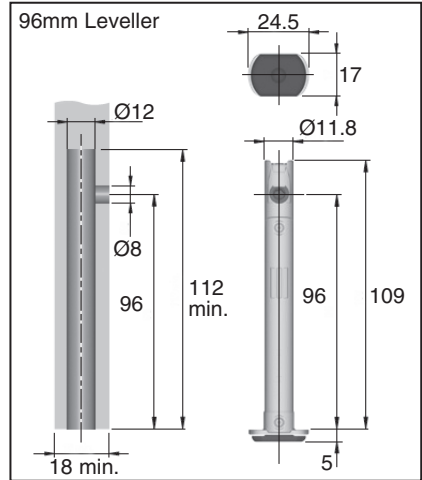
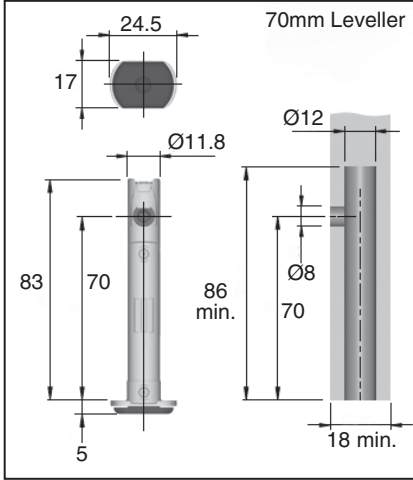


Concealed Levellers

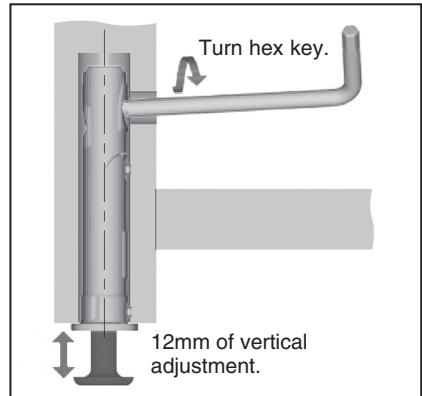
01S19.21
01S19.22

Drilling Plan

Measurements noted in millimetres.



Drill hole in cabinet
and insert leveller.



330 lb/150kg load capacity.