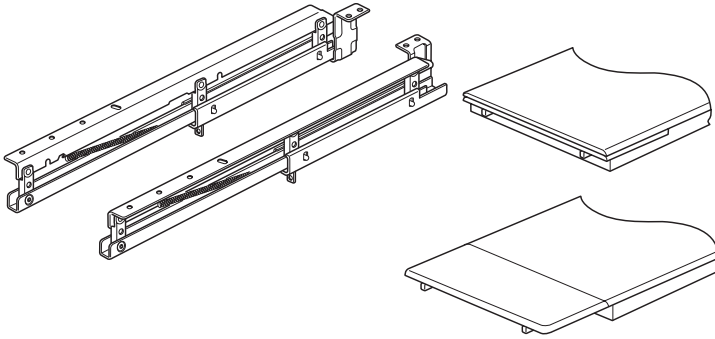


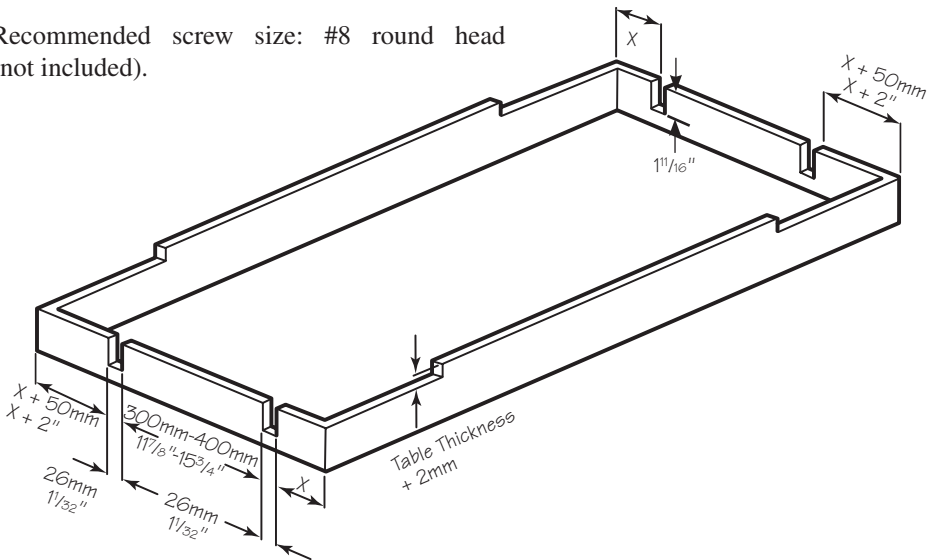
Telescoping table extender brings 11" or 13³/₄" extensions out from under the table top and automatically locks them into place on a single-acting pop-up mechanism. Releases easily on pull-out and automatically drops leaves back to the storage position underneath the ends of the table top.



For table tops 5/8" to 1" (16mm to 25mm) thick.

Minimum length of fixed top: 32".

Recommended screw size: #8 round head (not included).



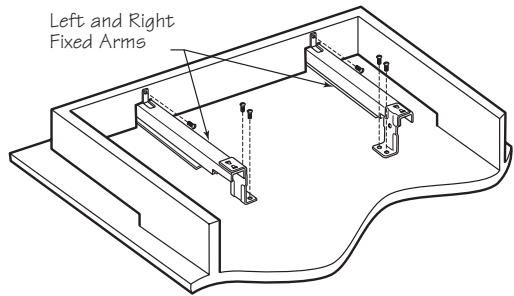
Prepare the table skirt, using the dimensions in the illustration as guidelines, and adjust as required for your table's configuration. Allow some clearance (approx. 2mm) for the table extension to slide underneath the table top.

The length of the apron depends on the length of your fixed top and the overhang desired. For example, an apron that is 26" long allows the top to overhang 3" at each end of a 32" long fixed top.

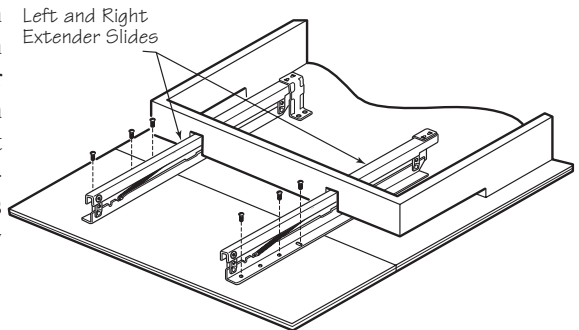
Note: The extenders on opposite ends must be offset from each other to prevent any interference.

Place your table top such that the under side of it is facing up. Roughly place the table fittings on the under side of the top before securing the table skirt.

Position and secure the two left and right fixed arms with screws (not included) as shown. Ensure the fixed slide arms are parallel to the edges of your table top and the tab on the fixed arms is flush with the table skirt



Position the left and right extender slides and the table top extension in their final open positions. Insert a screw in each oval hole on the extender (one per extender) to attach the retractable leaf, but do not overtighten. Test the mechanism and adjust extenders as required, then insert a screw in each round hole.



Note: If the leaf seats lower than the fixed top, insert a suitably sized shim in the groove before fastening the tab to the apron.

Information supplied by the manufacturer.