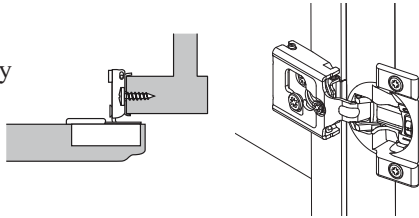


Compact Clip Half Overlay Face-Frame Hinges

Compact Clip
105° Half Overlay
(00B18.25)



Installation

For use on standard door thicknesses from 16 mm to 24 mm (5/8" to 15/16").

Note: Be sure to follow the instructions appropriate for the hinge style you have purchased.

Recommended number of hinges:

- Doors up to 500 × 700 mm (20" × 28") – one pair per door
- Doors up to 500 × 1500 mm (20" × 60") – 3 hinges per door
- Doors up to 500 × 2000 mm (20" × 80") – 4 hinges per door

Extra-heavy doors (e.g., doors with mirrors) may require extra hinges. A 35mm drill bit is required.

Mark center of 35mm hole to be drilled 20.5mm from door edge.

Drill hole minimum depth 13mm. Drill pilot holes for #6 screws (3mm diameter) as shown in **Figure 1**. Drill a 1/8" diameter pilot hole in the face frame, as shown.

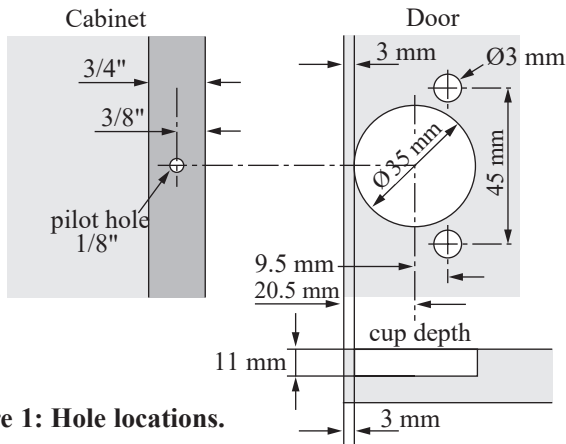


Figure 1: Hole locations.

Fasten the mounting plate to the cabinet, insert the hinge cup into the hole in the door, and then fasten the hinge cup to the door. (See Figure 2).

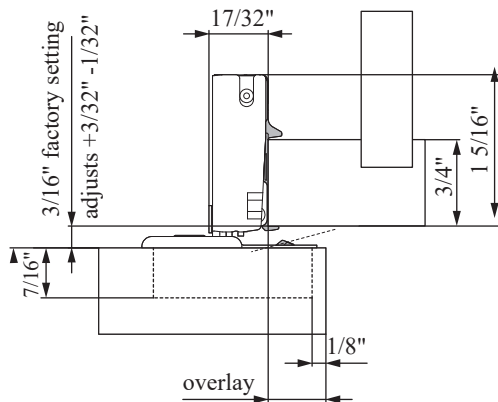


Fig. 2: 105° Compact Clip Half-overlay hinge (00B1825).

Adjustments

Side Adjustment: Rotate screw #1 counterclockwise to increase the door overlay; clockwise to decrease it. Range of motion is 3 mm (1/8").

Height Adjustment: Adjust the screw #2 on all hinges, adjust door position and retighten screw. Range of adjustment is 6 mm (1/4").

Depth Adjustment:

Adjust the screw #3 on all hinges, adjust door to desired depth, and retighten screw. Range of adjustment is 3 mm (1/8").

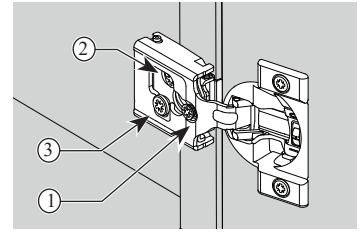


Figure 3: Hinge adjustment.

Deactivating the Soft-Close Mechanism

These hinges have a spring-loaded soft-close mechanism. For small or light doors, this can be deactivated on one or more of the hinges as necessary by sliding the switch shown in **Figure 4** up, and then closing the door. The “activated” switch position is marked with an “I”.

Complete the hinge installation by snapping the screw cover onto the mounting plate.

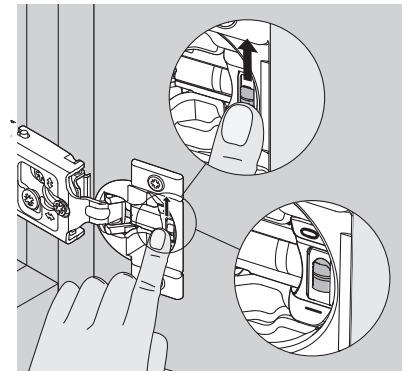
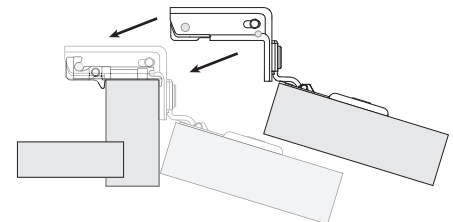


Figure 4: Deactivating the soft-close mechanism.

Clip Function

Hinge attachment

Slide hinge onto CLIP plate until hinge clips in place.



Hinge Removal

Step 1: Locate CLIP release lever on back of hinge(A) and press down to release(B).

Step 2: While the CLIP lever is released, pull forward on hinge / door to remove from cabinet.

