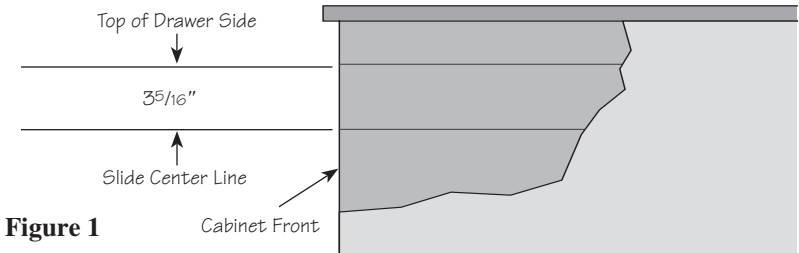


Double-Tiered Full-Extension Slides

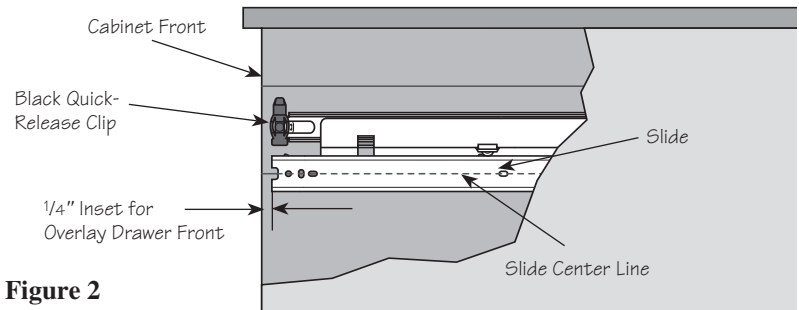
02K34.18 & 02K34.20

- Length:** 18" or 20"
Height: 37/8"
Side Space: 1/2" (the space can be up to 1/32" oversized, but cannot be less than 1/2")
Load Capacity: 150 pounds (per pair of 18" slides)

1. Determine and mark (on each inside wall of the cabinet) where the top of the drawer sides will land in the cabinet. Measure and mark 35/16" down from this first mark. This second mark represents the center line of the slide/cabinet member. (See **Figure 1**.)



2. For overlay drawer fronts, inset the slides 1/4" in from the front of the cabinet (see **Figure 2**). For inset drawer fronts, inset the slides by the thickness of the drawer front plus 1/4". Close the slide and position it so that the black quick-release clip faces up and toward the front of the cabinet, as shown in **Figure 2**. Align the screw holes with the center line mark for the slides. Screw the lower part of the slide to the cabinet through the horizontal slots.



3. To locate the center line for the rails on the drawer sides, measure and mark $1/2''$ down from the top of both drawer sides. Inset each rail $1/8''$ in from the front of the drawer, as shown in **Figure 3**. Align the screw holes on the rails with the center line mark on the drawer sides. Screw the rails to the drawer sides through two vertical slots.

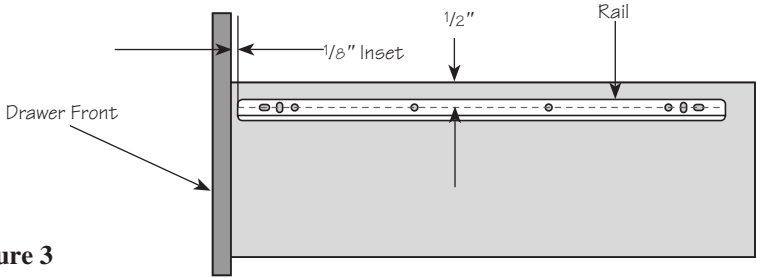


Figure 3

4. To install the drawer, slide the back of the rails into the tabs at the back of the slides and gently let the slots at the front of the rails drop onto the quick-release clips on the slides. The slides can be adjusted horizontally and the rails, vertically. When satisfied with the fit, drive screws into the round holes in both the slides and rails.

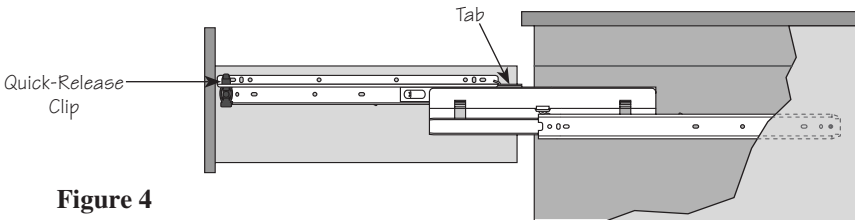


Figure 4

5. To remove the drawer, press the quick-release clips in toward the drawer sides and lift the drawer up and away from the cabinet.



www.leevalley.com

1090 Morrison Drive 814 Proctor Avenue
Ottawa ON K2H 1C2 Ogdensburg NY 13669-2205
Canada United States
1-800-267-8761 1-800-267-8735