

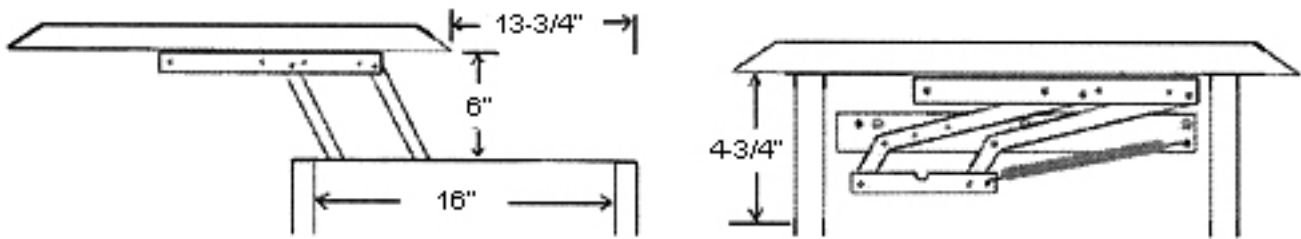
# Paralock™

---

(12K08.40)

*The following instructions were provided by the manufacturer.*

## Characteristics:

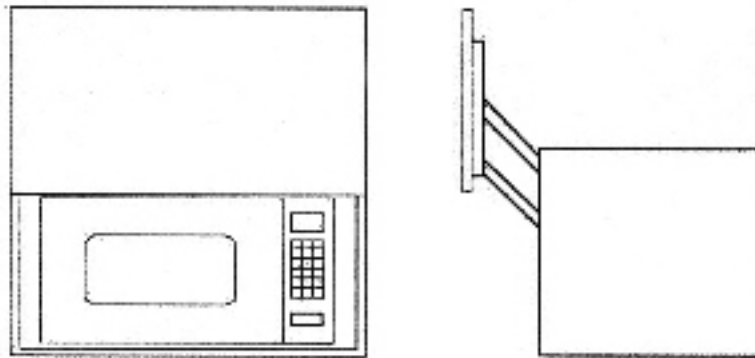


Depth of the furniture needed: 16" minimum

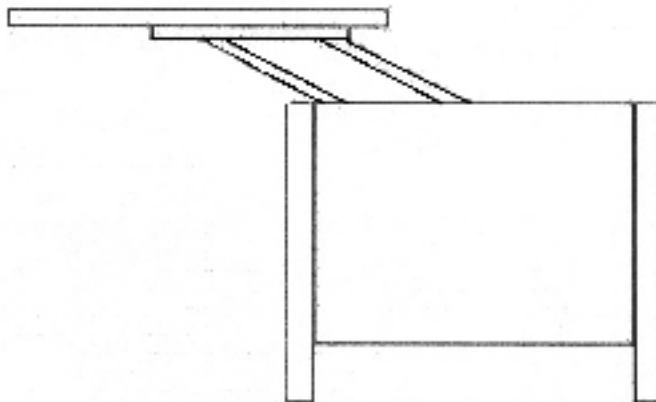
Width: No specific measure needed

Interior height: 4-3/4" minimum

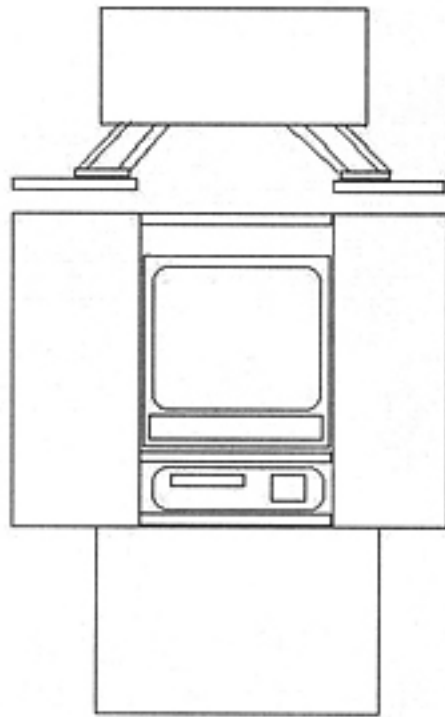
## Application:



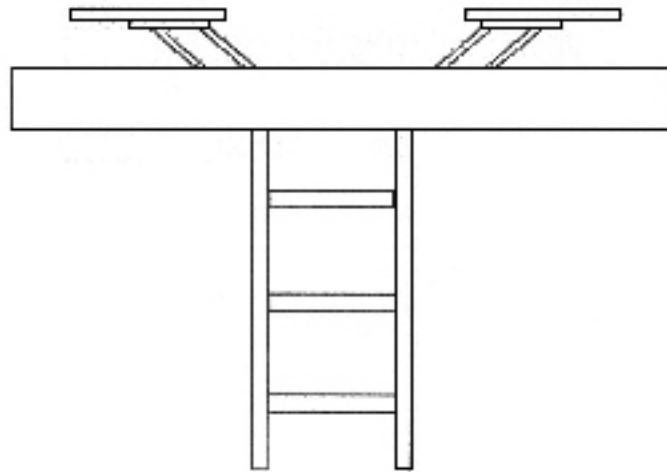
Kitchen cabinets



Table, chest



Furniture



Basement or attic doors

---