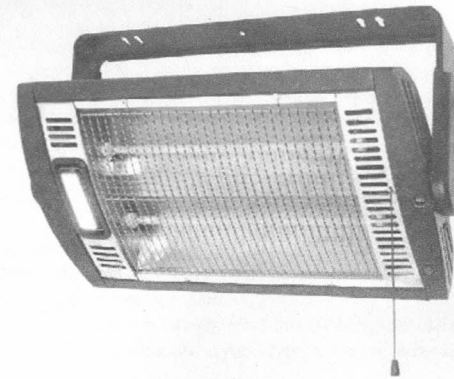


**QUARTZ HEATER WITH LIGHT
OWNER'S MANUAL**



**IMPORTANT INSTRUCTIONS
READ & SAVE**

FOR HOUSEHOLD USE ONLY

REMEMBER: PORTABLE ELECTRIC HEATERS ARE DESIGNED FOR SPOT HEATING OR A SUPPLEMENTARY HEAT SOURCE. THEY ARE NOT INTENDED TO BE THE MAIN SOURCE OF HEAT DURING THE NORMAL HEATING SEASON.

TABLE OF CONTENTS

Important Instructions.....	3
Parts of the heater	5
Installation.....	5
Operating Instructions.....	8
Specifications	9
Cleaning and Maintenance.....	9
Storage.....	9
Troubleshooting.....	10

IMPORTANT INSTRUCTIONS

PLEASE READ ALL INSTRUCTIONS BEFORE USING THIS HEATER

NOTE: There may be a trace of smoke or odour when unit is first operated. Do not be alarmed. This indicates that a drop of oil fell on the heating coil during the manufacturing process. It will quickly evaporate and should not re-occur. Make sure that the room in which the appliance is located is well ventilated during this operation.

WHEN USING ELECTRICAL APPLIANCES, BASIC PRECAUTIONS SHOULD ALWAYS BE FOLLOWED TO REDUCE RISK OF FIRE, ELECTRICAL SHOCK AND INJURY TO PERSONS OR PROPERTY, INCLUDING THE FOLLOWING:

1. Read all instructions before using this heater.
2. This heater is hot when in use. To avoid burns, do not let bare skin touch hot surfaces. Keep combustible materials, such as furniture, pillows, bedding, papers, clothes and curtains at least 3 ft.(0.9 m) from the front and top of the heater and keep them away from the sides and rear.
3. Extreme caution and reasonable supervision is necessary when any heater is used by or near children, invalids or pets and whenever the heater is left operating and unattended.
4. Always unplug heater when not in use. To disconnect, grip plug and pull from wall outlet. Never yank on cord.
5. Do not operate any heater with a damaged cord or plug or after the heater malfunctions or has been dropped or damaged in any manner. Return heater to an authorized service facility for examination, electrical or mechanical adjustment or repair.
6. Do not use outdoors. This product is intended for normal household use only. Do not use in construction sites, barns or other industrial areas where there are excessive dust to create a fire hazard.
7. This heater is not intended for use in bathrooms, laundry areas and similar indoor locations. Never locate heater where it may fall into a bathtub or other water container.
8. Do not run cord under carpeting. Do not cover cord with throw rugs, runners or the like. Arrange cord away from traffic area where it will not be tripped over. Route the cord so that it will not be walked on, or pinched by furniture.
9. To disconnect the heater, turn controls to "OFF", then remove the plug from outlet.
10. Connect to properly grounded outlets only.
11. Do not insert or allow foreign objects to enter any ventilation or exhaust opening as this may cause an electric shock, fire or damage to the heater.
12. To prevent a possible fire, do not block air intakes or exhaust in any manner. Do not use on soft surfaces, like a bed, where openings may become blocked.
13. A heater has hot or arcing or sparking pads inside. Do not use it in areas where gasoline, paint or flammable liquids are used or stored.
14. Use this heater only as described in this manual. Any other use not recommended by the manufacturer may cause fire, electric shock, injury to persons or other damage to property.
15. To prevent overload and blown fuses, be sure that no other appliance is plugged into the same outlet (receptacle) or into another outlet (receptacle) wired into the same circuit.
16. It is normal for the heater's plug and cord to feel warm to the touch. A plug or cord which becomes hot to the touch or becomes distorted in shape may be a result of a worn electrical outlet. Worn outlets or receptacles should be replaced prior to further use of the heater. Plugging heater into a worn outlet/ receptacle may result in overheating of the power cord or fire.
17. The safety grille is an important safety feature and must be securely closed during operation or for storage. Failure to secure the guard may result in injury and/or damage to this unit.

18. We do not recommend use of an extension cord as it may overheat and cause a risk of fire. However, if you have to use an extension cord, the cord should be No.14 AWG minimum size and rated not less than 1875 watts, and has to be used only for supplying power to this heater. The cord should be as short as possible (long cords coiled up can overheat, as well as cause tripping accidents) and not used to supply power with more than one appliance at a time.
19. Be sure that the plug is fully inserted into appropriate receptacle. Please remember that receptacles also deteriorate due to aging and continuous use: check periodically for signs of overheating or deformations evidenced by the plug. Should this occur, do not use the receptacle and CALL your electrician.
20. Check that neither the appliance nor the power cable has been damaged in any way during transportation.
21. Make sure that no pieces of polystyrene or other packaging material have been left between one element of the appliance and another. It may be necessary to pass over the appliance with a vacuum cleaner.
22. When switching on the appliance for the first time, you may notice a slight odour which is normal with new electrical appliances. Allow odour to dissipate by running appliance at full power for about ten minutes. Make sure that the room in which the appliance is located is well ventilated during this operation. This heater draws 12.5 amps during operation. To prevent overloading a circuit, do not plug the heater into a circuit that already has other appliances working.
23. Do not run in locations when the heater will be left unattended for long periods of time. (For example - in an unoccupied summer cottage).
24. Do not use attachments or filters. They are not recommended.
25. This appliance is not intended for use by persons (including children) with reduced physical, sensory or mental capabilities, or lack of experience and knowledge, unless they have been given supervision or instruction concerning use of the appliance by a person responsible for their safety. Children should be supervised to ensure that they do not play with the appliance.

SAVE THESE INSTRUCTIONS

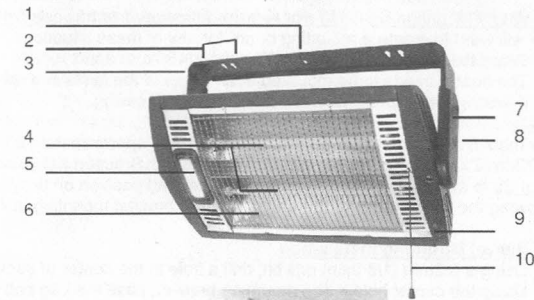
FOR HOUSEHOLD USE ONLY

WARNING!!

- ! Do not use this heater to dry clothes or towels.
- ! Do not use this heater as a sauna heater.
- ! Do not mount this heater onto any other surface other than a suitable ceiling which can safely support the weight of the unit (5kg/11.2lbs).

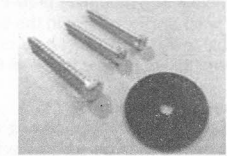
PARTS OF THE HEATER

1. Swivel-center hole
2. Key slots
3. Mounting bracket
4. 2x Quartz heating elements
5. Halogen lamp
6. Safety grille
7. Mounting arm
8. Arm release button
9. Power indicator light
10. Pull cord



Included hardware:

- 1 pcs Lag Bolt: 1/4" x 2"
- 1 pcs Fender Washer: 1-1/2" OD x 1/4" ID
- 2 pcs Hex Head/Star Drive Wood Screw: 3/16" x 1-1/2"



INSTALLATION

WARNING: This quartz heater is intended for use **ONLY** as a ceiling mounted heater. Mounting on a wall or surface such as a roof creates a risk of fire due to possible over heating of the unit or igniting nearby combustible materials. **DO NOT PLUG IN THE HEATER UNTIL IT IS PROPERLY INSTALLED.**

1. CHOOSING A LOCATION FOR THE HEATER

Select a desired location on the ceiling. Keep in mind that the heater needs to be able to reach a grounded outlet without the use of an extension cord. We do not recommend use of an extension cord as it may overheat and cause a risk of fire. However, if you have to use an extension cord, the cord should be No.14 AWG minimum size and rated not less than 1875 watts, and has to be used only for supplying power to this heater.

Important rules when positioning the heater:

1. Minimum clearance of 0.9 meters/3 feet away from the nearest wall or other combustible material.
2. Attach on a ceiling which can support the weight of at least (5kg/11.2lbs).

Before Mounting:

- On finished ceilings, first find the joist and mark the location on the ceiling.
- On ceilings with joists more than 45.7cm/18", follow "Creating a Mounting Board".
- If you choose to position the heater where the joists do not match the holes on the heater's mounting bracket, follow "Creating a Mounting Board".

2. INSTALLING MOUNTING BRACKET

The mounting bracket must be attached to a joist. Failure to mount heater to joists can result in injury and or fire hazards.

Creating a Mounting Board (If not required, proceed to choose from mounting installation 2a or 2b)

You will want to create a mounting board for any of these situations-

- When the joists are more than 18 inches (45.7cm) apart;
- The heater needs to be mounted at an angle to the joists in a corner or;
- If heater needs to be mounted to a suspended ceiling.

The mounting board should be a board measuring approximately 2.54 cm/1" thick and 5.1cm x 45.72cm/2"x18" or long enough to span two joists. Proceed below and choose from mounting installation 2a or 2b to secure the mounting board into desired position on the joist. Continue with the installation following the instructions for the desired heater bracket mounting installation.

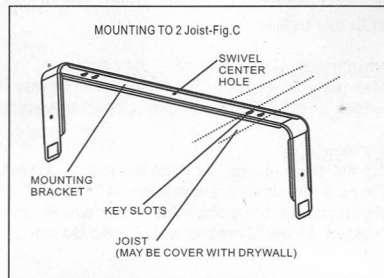
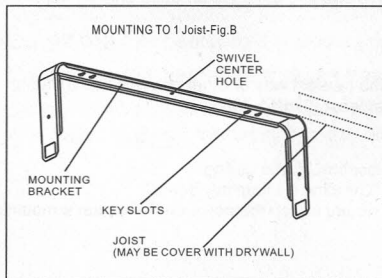
a. Swivel Mounting Installation

1. Using a 3.2mm (1/8 inch) drill bit, drill a hole in the center of each marked key slot.
2. Using the center hole in the mounting bracket, pass the Lag bolt (Provided) through the hole and place the Fender washer (Provided) on the bolt.
3. Raise the assembly to the drilled joist hole and insert the bolt into the hole.
4. Using a socket wrench, tighten the bolt until the bracket is snug against the ceiling.

b. Key Slot Mounting Installation

The mounting bracket may be attached to a single joist (Fig.B) or span across two joists (Fig.C). On a finished ceiling, the joists may be covered with dry wall. **If attaching to unfinished ceiling with exposed joists, proceed to step 3.**

1. Locate and mark the location of the center of the joists in the mounting area. Joists are typically 3.8cm (1 1/2 inch) wide and 40.6cm or 45.7cm (16 or 18 inches) apart. They usually run parallel with the narrow dimension of the room.
2. Using the mounting bracket as a guide, line up one of the key slots at each end of the bracket with one or two joists and mark the slotted openings. If you cannot line up the holes in the bracket with the joists, you will have to use other mounting methods (try "Swivel Mounting or Installing a Mounting Board")
3. Using a 3.2mm (1/8 inch) drill bit, drill a hole in the center of each marked key slot.
4. Install the two screws (provided), leaving about 6.4mm (1/4 inch) space between the head of the screw and the mounting surface.
5. Slip mounting bracket over the screw heads and slide the bracket to engage the screws in the slots.
6. Tighten screws securely.

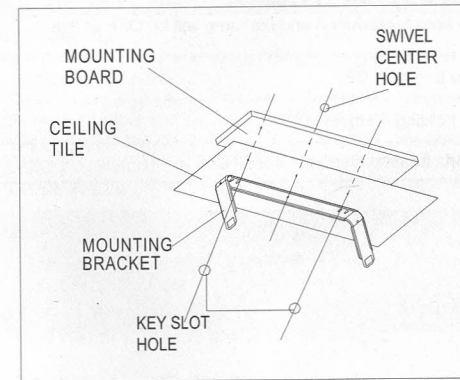


Suspended Ceilings (if required)

If you wish to install the heater onto a ceiling which is suspended with tiles, follow these instructions:

1. Select a ceiling tile in the desired location.
2. Use the mounting bracket as a template to mark the tile with the appropriate drill hole(s).
3. Create a mounting board (see above) 2.54 cm (1 inch) thick and 5.1cm x60.33cm (2" x 23.75") in length.
4. Remove the marked tile from the ceiling. Position the mounting board behind the tile and the marked drill holes. Make sure the ends of the mounting board and the tile are aligned.
5. Drill 1/8" hole(s) THROUGH THE TILE AND MOUNTING BOARD WHERE MARKED.
6. Using the hardware supplied, attach the mounting bracket to the mounting board with the ceiling tile sandwiched in between.
7. Reinstall assembled heater bracket/ceiling tile/mounting board in ceiling.

3. ATTACH HEATER TO MOUNTING BRACKET



NOTE: Always turn the screw out of the nut and each arm first before attaching the heater to the mounting bracket. ALWAYS remember to replace the screws and nut back to each arm after you finish attaching the heater. Failing to do so will create a hazard, causing the heater to slide out of the mounting bracket and fall.

1. Your heater is equipped with rotating arms at each end of the unit. To conserve space in shipment these are in line with the heater and must be repositioned before installation.
2. With your heater laying face down, rotate each arm slowly upwards until they are perpendicular to the heater. For safety reasons, once rotated, the arms cannot be returned to their original position.
3. Turn the screw out of the nut and each arm first, then grip both arms and insert onto the mounting bracket until it locks into place.
4. Replace the screws back to each arm and nut after the heater is attached to the mounting bracket. ALWAYS remember to replace the screw back to each arm and nut after the heater is attached to the mounting bracket. Failing to do so will cause the heater to slide out of the mounting bracket and create a risk of it falling down.

OPERATING INSTRUCTIONS

Ensure the unit is in the OFF position. To operate, connect to a three prong grounded plug outlet only. Be sure to plug into a 120V AC, 60Hz outlet.

NOTE: THE HEATER WILL NOT OPERATE UNTIL THE POWER THE UNIT IS PROPERLY PLUGGED INTO A GROUNDED OUTLET AND POWERED ON (SEE SECTION ON POLARIZED PLUGS UNDER IMPORTANT SAFEGUARDS).

YOUR HEATER IS EQUIPPED WITH A 4-POSITION PULL CORD CONTROL

1. Select light/heat by using the pull cord control. The status viewing window will display an icon to confirm the light/heat status.
2. When the heater is plugged in, the power indicator light will be illuminated red for the duration of the heater's operation.

ICON	POWER & LIGHT STATUS
0	The heater is in the OFF position. No heat is produced and the lamp will be OFF at this setting.
I	At this setting, the lamp is ON and the heater is OFF.
II	At this setting, the lamp and 1 quartz heating element is ON.
III	At this setting, the lamp and both quartz heating elements are ON.

CAUTION

- !! Before handling the heater, ensure unit is in the OFF position and is COMPLETELY COOLED.
- !! NEVER adjust the tilt or change the light bulb while it is operating.
- !! DO NOT grip the metal parts to adjust the tilt or change the light bulb. The metal parts of the housing get very hot and can cause burn.

TIPT FEATURE

This heater has a tilting feature which enables it to be adjusted to a desired angle. Always turn the heater off and allow it to cool completely before handling. **Once it has cooled**, grip the heater by the arms and adjust the angle. Do not grip onto the metal parts of the heater housing. The self-locking mechanism will hold this angle position and no additional tools are required.

REPLACING THE HALOGEN LIGHT

The halogen light on this heater uses a G9 type bulb and is replaceable. To replace the light bulb, follow these steps.

1. Power the unit OFF and **wait until it has completely cooled down**.
2. **Bring down the heater:** Remove heater from the mounting bracket. Set heater on table.
3. **Remove the old bulb:** *Never touch the halogen lamp with bare hands. Oil residue from hands will cause lamp failure.* Remove the screw located at the side of the lampshade and open the lampshade, grasp lamp and carefully pull far enough towards the side.
4. **Install new lamp:** Install new lamp using a clean cloth or gloves. Insert end of the lamp into the socket. Warning: Replacement bulb rating must not exceed 25-watts.
5. **Close lampshade and reinstall screw:** Snap heater onto properly installed mounting bracket before use.

SPECIFICATIONS

Model Number	HQ1500
Power Supply	120 volts AC, 60Hz
Power Consumption (Wattage)	25W- Lamp only 1500W- Lamp and Quartz heating element ON

CLEANING AND MAINTANENCE

Before any cleaning, make sure that:

1. Power the unit OFF and unplug. **Wait until it has completely cooled down.**
2. Disconnect power supply at source by removing plug from power outlet.
3. Your heater is now ready for cleaning.
4. Do not use cleaning liquid or other chemicals to spray on the unit.

Interior Cleaning:

The most common cause of overheating is deposits of dust or fluff entering the heater. Interior dust can be removed by following:

1. Remove heater from the mounting bracket. Set heater on table.
2. Remove the four screws located at the front of the guard, then the carefully remove guard.
3. Wipe interior: Carefully wipe the surface of the interior with a DRY cloth
4. Close the safety grille: Secure back to the heater by closing screen and re-installing the screws.
5. Re-installation: Attach the heater back onto the mounting bracket and lock together to secure.

Exterior Cleaning:

1. Use a clean, soft and lightly moistened (NOT DRIPPING WET) cloth to gently wipe off the dirt from the surface of the unit.
2. Be sure not to wet the heating element and the switches.
3. Allow the unit to dry completely before using it.

CAUTION: DO NOT ALLOW WATER TO RUN INTO THE INTERIOR OF THE HEATER AS THIS COULD CREATE A FIRE OR ELECTRIC SHOCK HAZARD, DAMAGING THE UNIT.

STORAGE

1. Perform the cleaning procedures described in "Cleaning/Maintenance".
2. Wipe all parts to dry.
3. Remove the heater from the mounting bracket and tape screws to the unit.
4. Pack the heater in a plastic bag and store it in a cool, dry place.

TROUBLESHOOTING

If your heater fails to operate, please follow these procedures before contacting customer services:

Problem	Probable Cause	Solution
Unit is not heating.	The heater is not plugged into a receptacle which is properly energized.	Be sure to plug into a 120V AC, 60Hz outlet.
	The heater is not turned ON.	Use pull cord to turn heater ON. Refer to Operating Instructions on page 8.
The heater is creating a burning smell.	A drop of oil fell on the heating coil during the manufacturing process. It will quickly evaporate and should not occur again.	Ensure room in which heater is situated is well ventilated.
	Check & ensure there are no combustible materials within 0.9 metres (3 feet) surrounding the heater.	Remove any combustible items from the heater.
The power indicator light is ON but the unit is not emitting heat.	The heater is set to Lamp only.	At this setting, the lamp will turn ON for better viewing, but no heat will be produced. Use the pull cord control to switch to heating or heating & lighting mode. For more information, refer to page 8.
The heater is not tilting back.	It has already reached its tilting limit.	This heater has a tilting angle of 90 degrees. There will be resistance once it has reached its limit. Do not attempt to tilt the unit further than it is intended to go. For more information on tilting, refer to page 8.
The lamp will not turn ON.	The light bulb has burnt-out.	Replace the burnt out bulb with a new one. For directions on replacing the halogen bulb, follow steps 1-4 under the "REPLACING THE HALOGEN LAMP" section on page 8.

PLEASE DO NOT ATTEMPT TO OPEN OR REPAIR THE HEATER YOURSELF. CAUSE DAMAGE OR PERSONAL INJURY.

NOTES