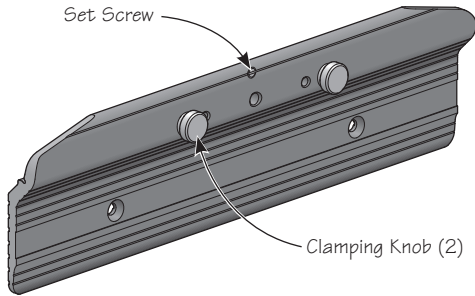


The Veritas® Bevel-Up Jointer Fence allows you to shoot accurate and consistent square or bevelled edges with your Veritas® Bevel-Up Jointer. The anodized aluminum fence can be attached to either side of the plane with the clamping knobs provided. A set screw in the fence allows the angle or squareness of the fence to be accurately controlled. Two additional threaded holes have been provided for storage of the clamping knobs when the fence is not in use. A clearance hole has also been provided to allow access to the set screw that controls the lateral position of the blade with the fence installed.

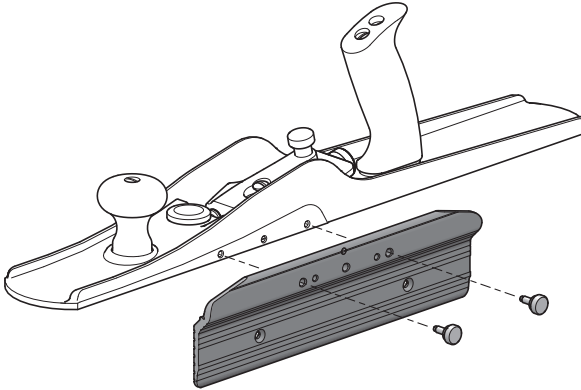
As supplied, the 2" tall guiding face can be used to plane edges perfectly square to the face of your workpiece. It can also be used to shoot angles less than 90° when a bevelled wooden guide is attached to the inside face of the fence.



**Figure 1: Fence components.**

## Installation

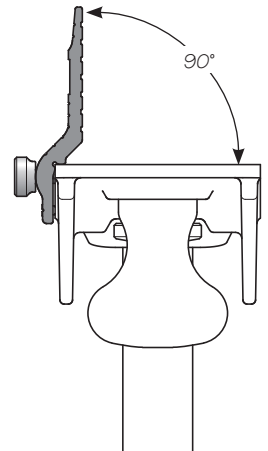
Bring the fence up to the side of the plane until the step in the fence makes contact with the sole of the plane. Position the fence such that the mounting holes are aligned and insert the two clamping knobs. Push the fence so that the step in the fence is tight against the sole of the plane, then tighten the two clamping knobs. The plane and jointer fence have been configured such that the fence can be installed for either right- or left-handed use.



**Figure 2: Fence installation.**

## Initial Set-Up

When the fence is first installed on the plane, it will have to be set or calibrated. Use the set screw between the two clamping knobs to fine tune the angle or squareness of the fence to the sole. Install the fence with the clamping knobs with light pressure. Flip the plane upside down and check for squareness with an engineer's square. Adjust as required by turning the set screw in or out and retightening or loosening the clamping knobs as required. When square, fully tighten the clamping knobs. When the fence is removed and reinstalled, check the squareness and adjust as required.



**Figure 3: Fence set-up.**

## Instructions

It is important that the fence be held firmly against the face of the workpiece being planed in order to get accurate results. This ensures that the fence will govern the plane's orientation, not the sole. Press the fence firmly **against the workpiece** with your forward hand and push the plane with your other hand.

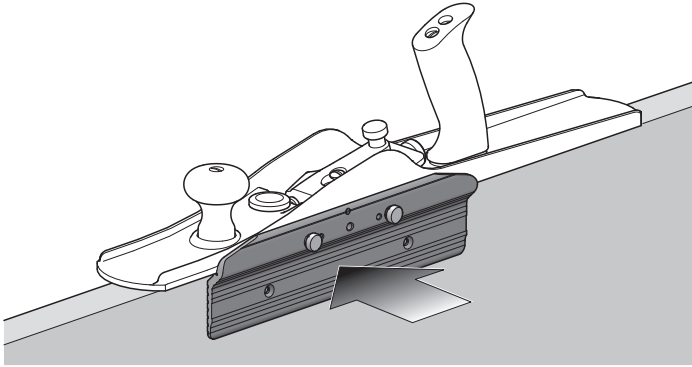


Figure 4: Fence held firmly against workpiece.

## Angles other than 90°

Bevel angles other than 90° can be achieved by attaching a bevelled piece of wood to the fence using #10 flat-head screws through the countersunk holes.

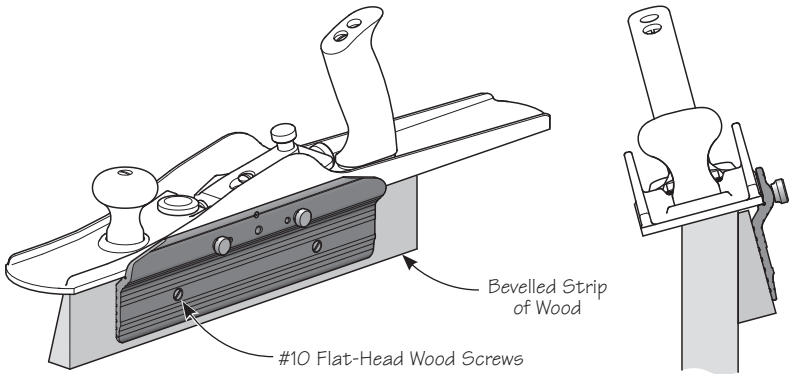


Figure 5: Attaching bevelled piece of wood to inside of fence to shoot bevelled edges.