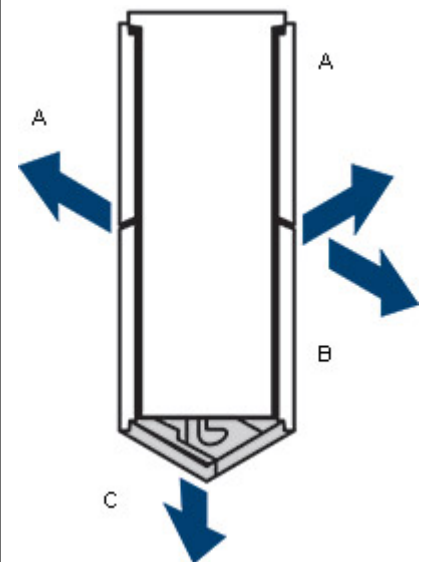


(00S01.88, 00S01.89)

	Capacités de charge	
	Petits	Grands
A.	242 lb (110 kg)	440 lb (200 kg)
B.	119 lb (54 kg)	145 lb (66kg)
C.	275 lb (125 kg)	440 lb (200 kg)



The diagram shows a vertical, rectangular container with a flat base. Three blue arrows indicate load directions: arrow 'A' points left from the upper left side, arrow 'B' points right from the upper right side, and arrow 'C' points down from the center of the base. The letters 'A', 'B', and 'C' are also placed near their respective arrows.