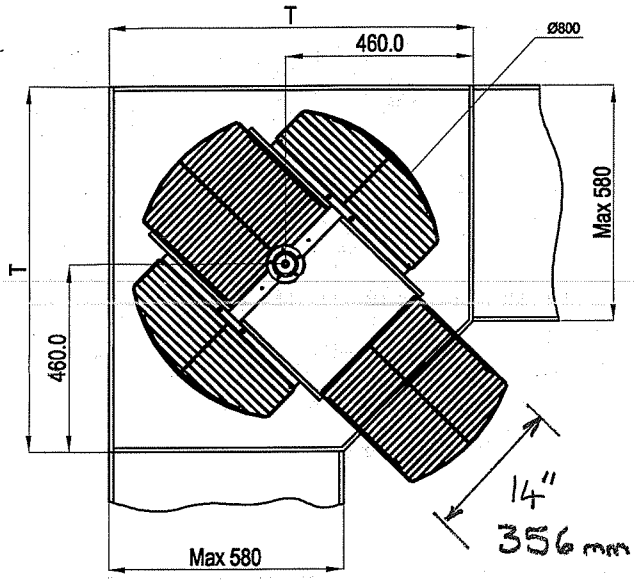
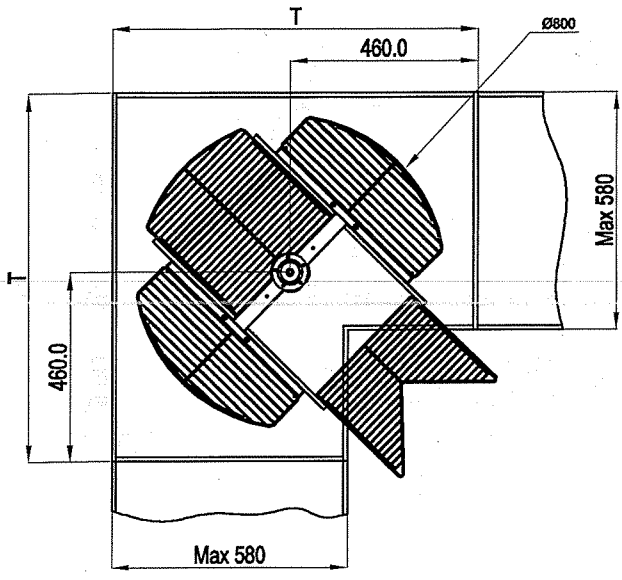


This instruction is fit for the following item numbers.

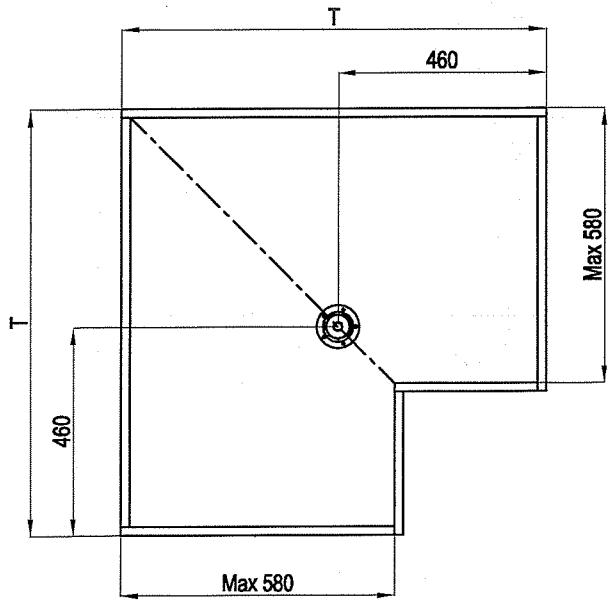
Name	T=Cabinet	Width*Depth*Height
270 revolve magic corner	900 mm	∅800*(650-750)
360 revolve magic corner	900 mm	∅800*(650-750)



Description	Picture	Quantity
Up fixture		1
Below fixture		1
Axletree		2
Screw		1
ST3.5*25 tapping screw		4
ST3.5*16 tapping screw		5

Step 1: As the size revealed in the picture below, drill 9 small holes ∅3.0mm respectively on top cabinet panel and bottom cabinet panel.

Top cabinet panel



Bottom cabinet panel

