

Full-Extension Touch-Open Slides

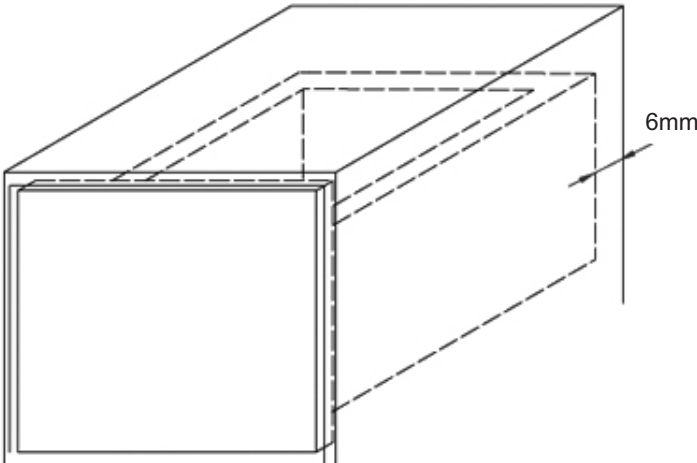
(02K48.35+)

The following instructions were provided by the manufacturer.

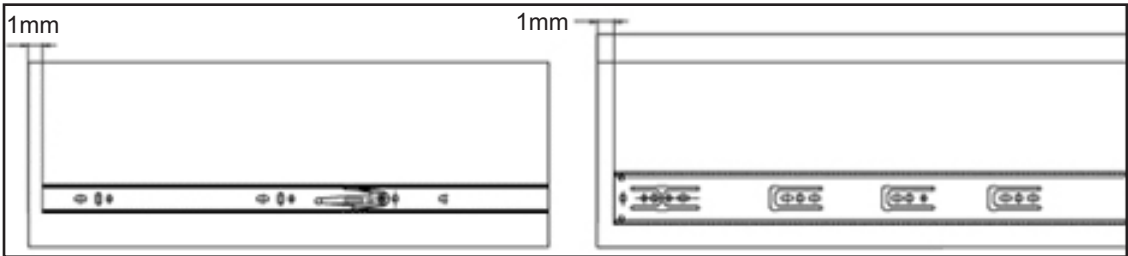
Repon Touch-To-Open Installation Tips

1 Inset Drawer Front

Repon touch-to-open requires 5mm to actuate the touch to open mechanism. Please leave at least 6mm clearance between drawer back and cabinet back.



2 It is highly suggested that cabinet member of slides and drawer member are both set back from the front of cabinet opening and drawer front by at least 1mm. This suggestion does not take the front thickness into consideration.



3 Overlay Drawer Front

Apart from leaving at least 6mm clearance between drawer back and cabinet back as INSET DRAWER FRONT, set the drawer member back from the drawer front by at least 5mm in order to actuate the touch-to-open.

