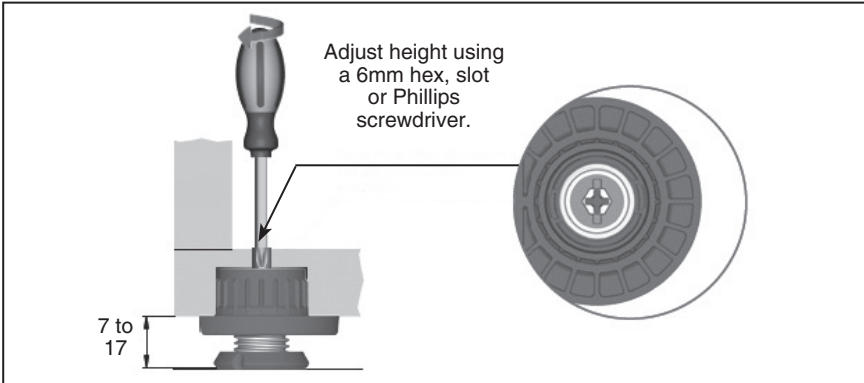
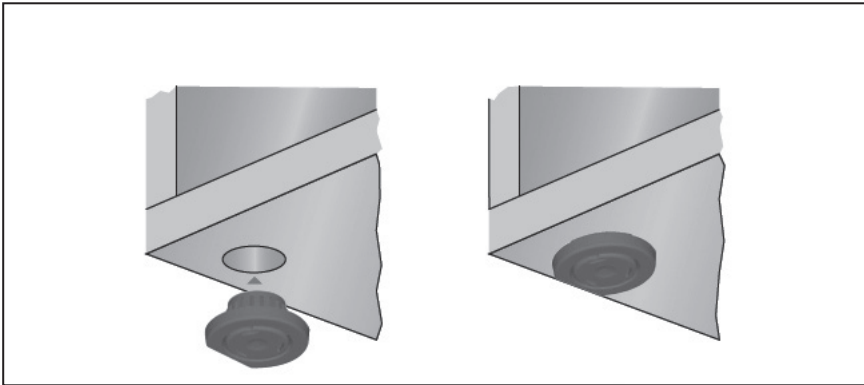
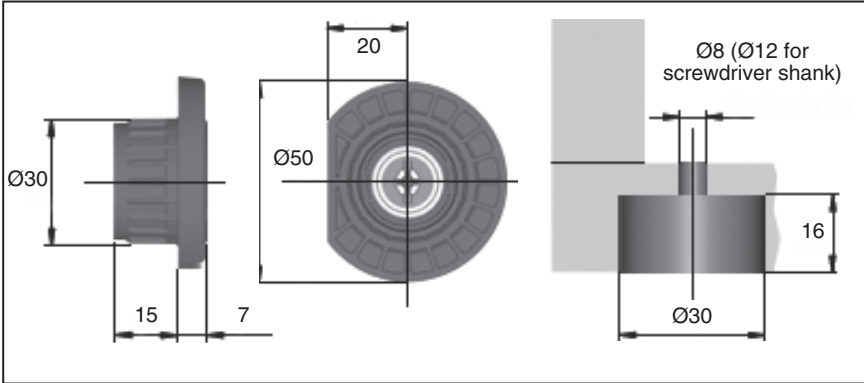


Bottom-Mount Top-Adjust Leveller

01S19.01

Drilling Plan

Measurements noted in millimetres.



385 lb/175kg load capacity.

09/13 Rev. B