

This tool guide extension increases the capacity of the Veritas® 52" Tool Guide (05J50.03) by 4 feet, giving a capacity of slightly more than 8 feet. The tool guide extension is easily connected to the main guide using the included links and brass knobs.

Slide the links into the matching slots in the main guide and thread both brass knobs into the holes in the main guide. With the ends of the guide contacting one another, firmly hand tighten both knobs.

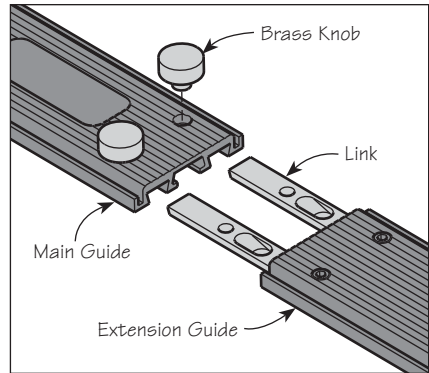


Figure 1: Assembling the tool guide extension.

To break the guide down into two sections again, you need only loosen the knobs until the guide can be pulled apart.

⚠ Caution: When using the extension, avoid lifting the guide from one end, as this can cause the links to break. Instead, lift the guide from the center and place it onto your bench or workpiece.

