

Item No: 12K9950

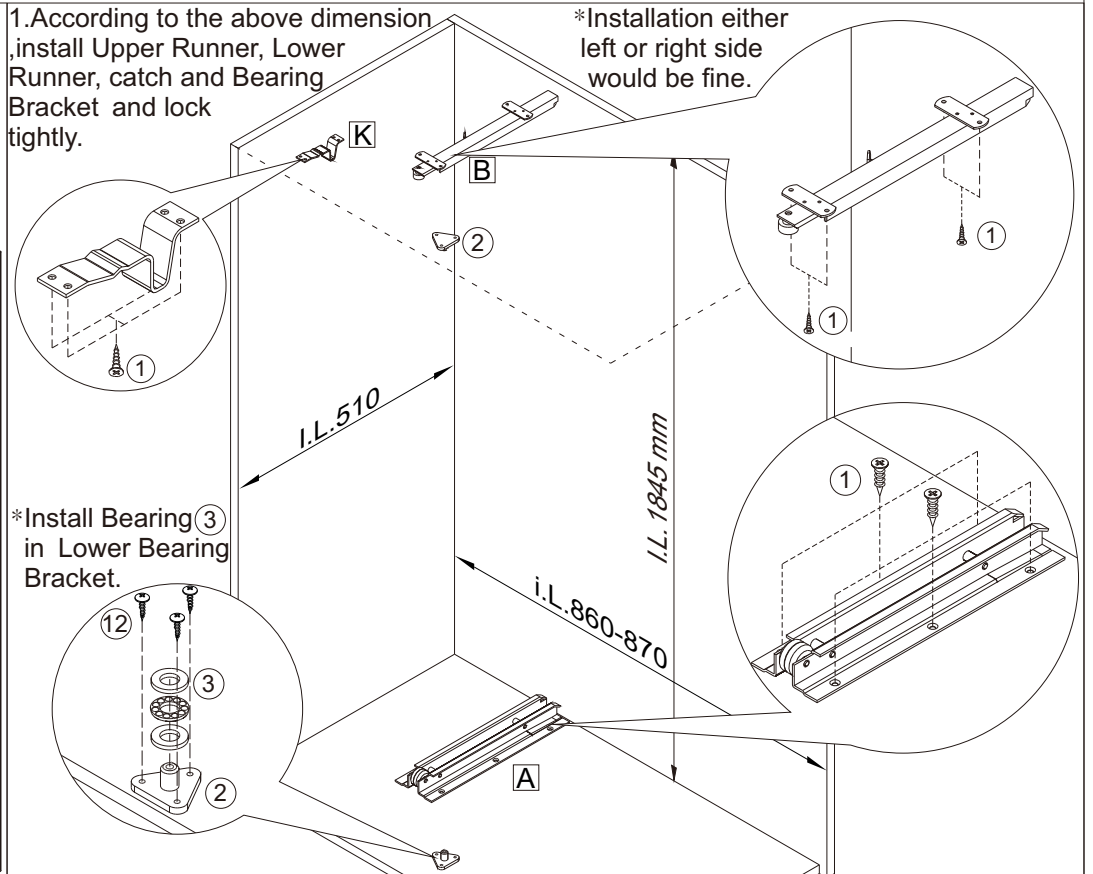
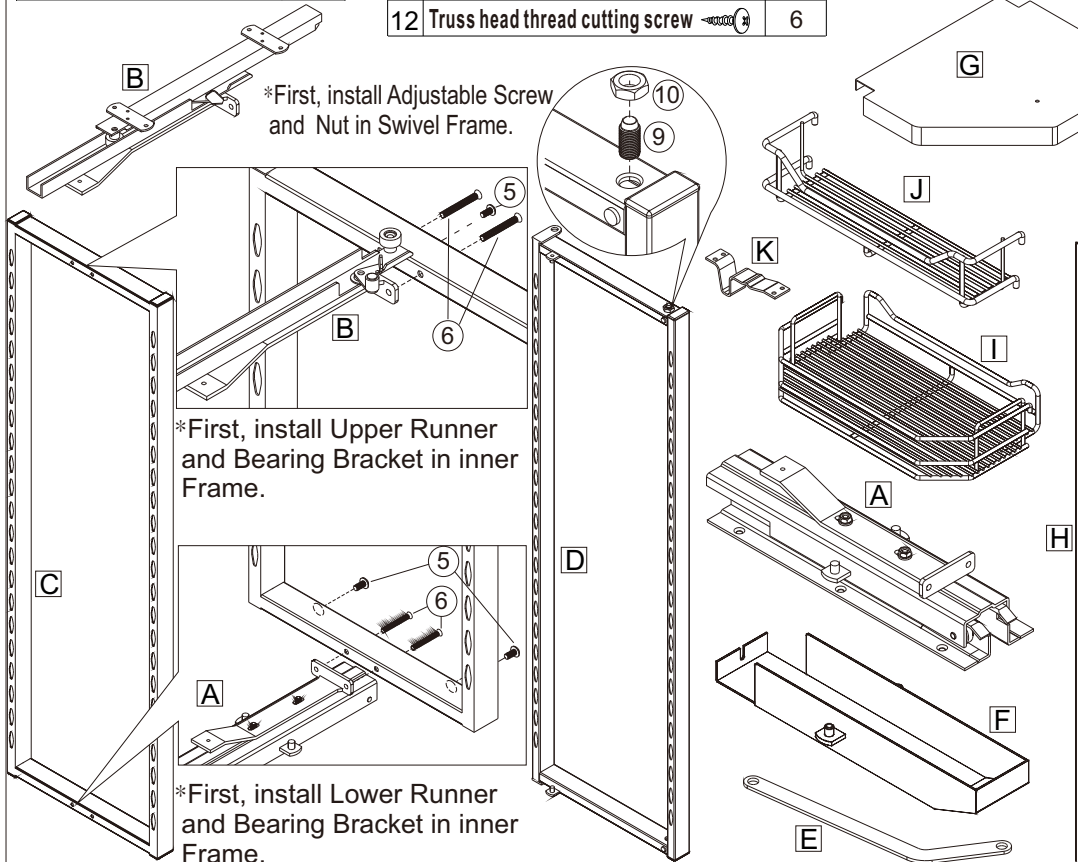
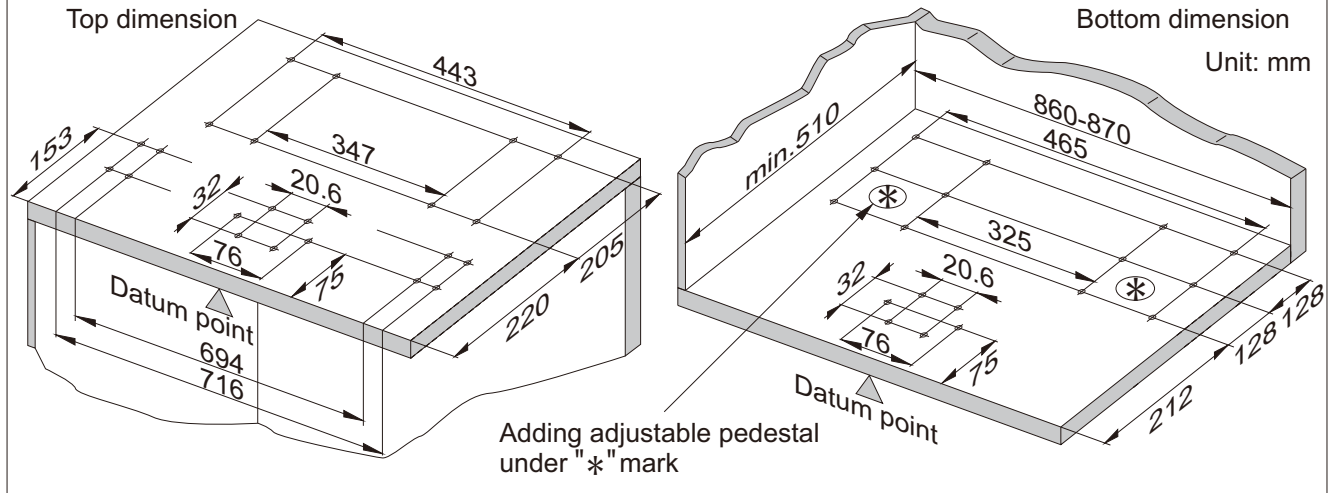
CHEF'S PANTRY UNIT INSTALLATION

PANELS CHECK LIST

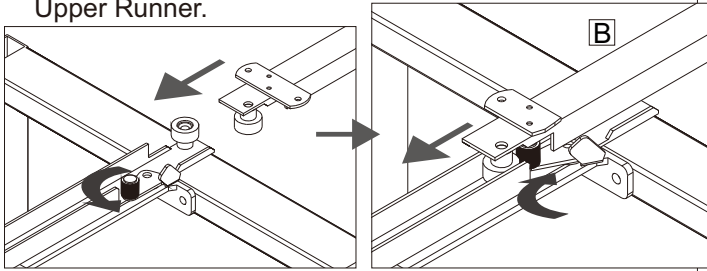
Description	Qty
A Lower Runner	1
B Upper Runner	1
C inner Frame	1
D Swivel Frame	1
E Handle	2
F Upper Cover	1
G Lower Cover	1
H Slotted Moldings	2
I Basket (Large)	14
J Basket (Small)	7
K Catch	1

FITTINGS CHECK LIST

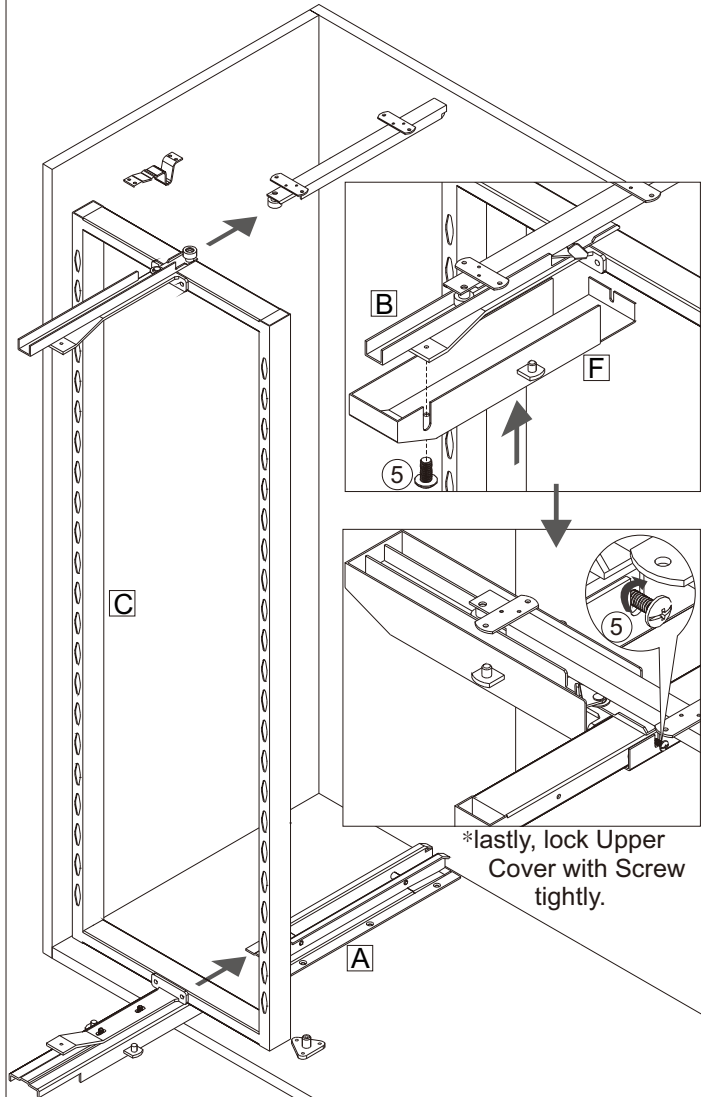
Description	Qty
1 Wood Screw	14
2 Bearing Bracket	2
3 Bearing	1
4 Wood Screw	2
5 Cover Screws	5
6 Runner Fitting Screws	4
7 Handle Safety Cover	4
8 Wood Screw	16
9 Adjustable Screw	1
10 Adjustable nut	1
11 Washer	2
12 Truss head thread cutting screw	6



2. Put inner Frame into cabinet and lock Upper Cover to Upper Runner.

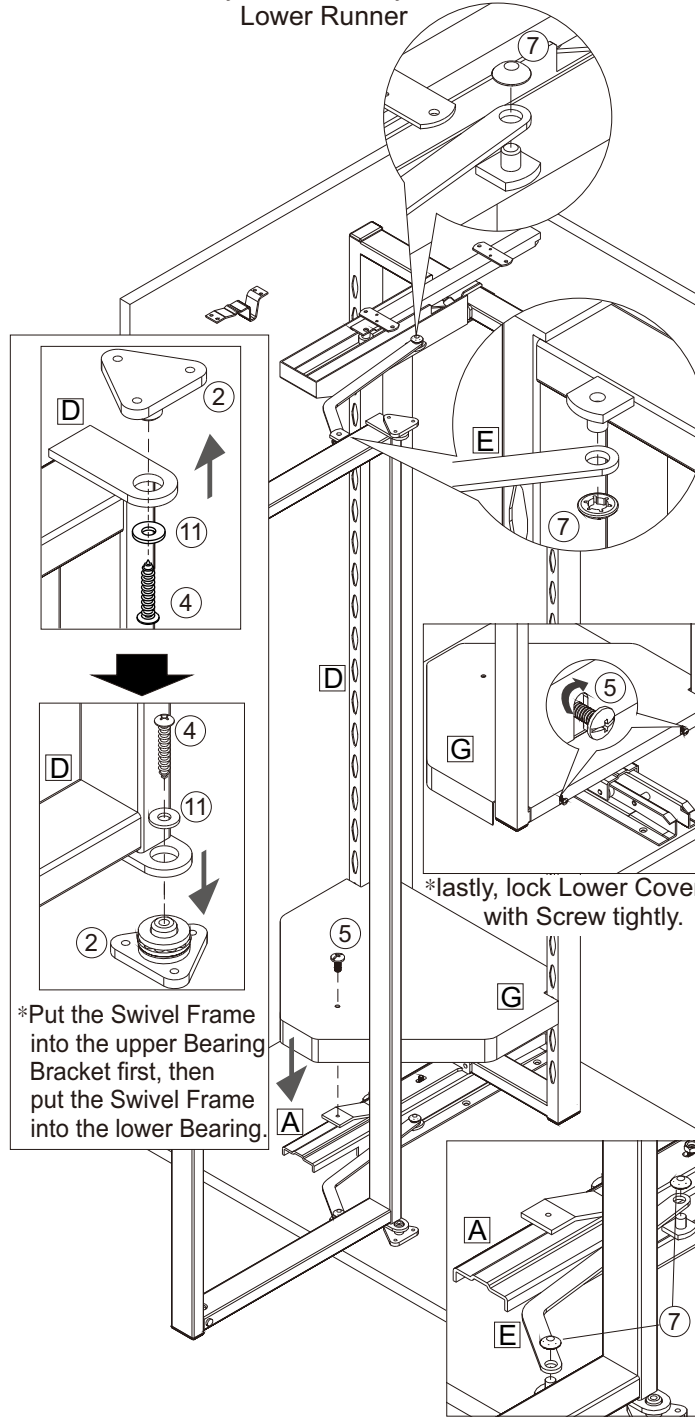


*When putting Upper Runner, pull out black catch then push the runner into. Finally, push the black catch back.



*lastly, lock Upper Cover with Screw tightly.

3. Put Swivel Frame into Bearing Bracket and install Handle and Handle Safety Cover. Finally, lock Lower Cover to Lower Runner



*Put the Swivel Frame into the upper Bearing Bracket first, then put the Swivel Frame into the lower Bearing.

*lastly, lock Lower Cover with Screw tightly.

4. Lock Slotted Moldings in door bracket and put on the basket.

