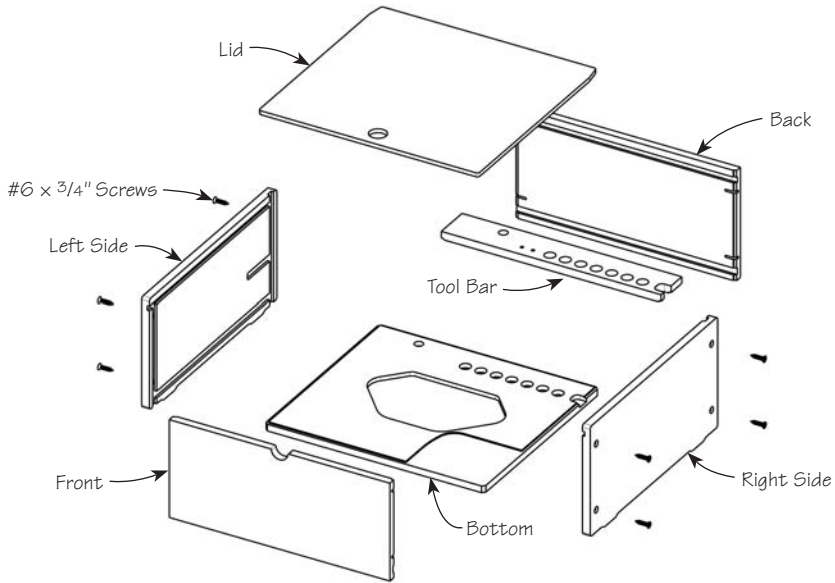


Storage Box for Veritas Router Plane



Assembly

Tools required: Phillips screwdriver.

1. Position the bottom panel between the front and back panels, standing on end as shown, with the edges fitting into the grooves and ensuring the tool pockets are to the back.
2. Place the left side panel on top, with the edges fitting into the grooves. Attach with four #6 x 3/4" screws (supplied).
3. Turn the assembly end for end. Position the tool bar as shown, ensuring the holes are aligned with those in the bottom panel.
4. Place the right side panel on top, with the edges fitting into the grooves. Attach with four #6 x 3/4" screws (supplied).
5. Remove the protective blue film from the lid, and then slide the lid into the remaining grooves.

