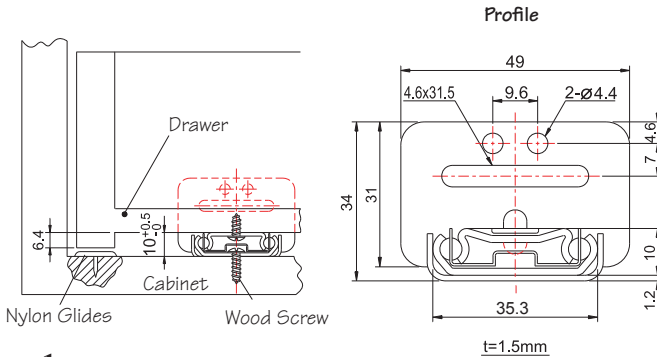


# Center-Mount Drawer Slides

**12K41.14+**

- Length: 14", 16", 18", 20", 22", or 24"  
 Travel: see chart  
 Thickness: 3/8"  
 Clearance: 1/16" on either side of the drawer; 3/8" between cabinet and drawer bottom  
 Load Capacity: 10 kg (22 lb) for the 18" slide  
 Screws: Included

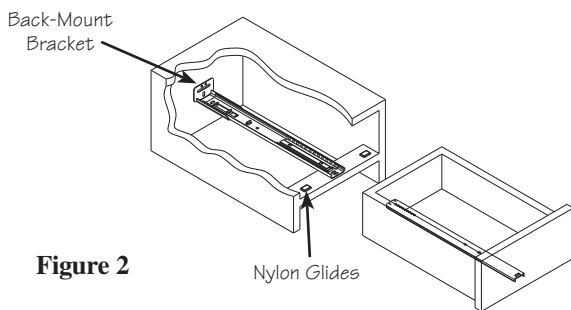
Center-Mount Drawer Slides						
	Slide Length		Slide Travel		Fit Drawer Length	
	inches	mm	inches	mm	inches	mm
<b>12K41.14</b>	14.8	375	10.5	267	12.6 to 14.5	321 to 368
<b>12K41.16</b>	16.7	425	12.0	305	14.7 to 16.5	372 to 419
<b>12K41.18</b>	18.7	476	12.5	318	16.6 to 18.5	422 to 470
<b>12K41.20</b>	20.9	531	14.7	372	18.6 to 20.5	473 to 521
<b>12K41.22</b>	22.8	578	16.5	419	20.6 to 22.5	524 to 572
<b>12K41.24</b>	24.8	629	17.5	445	22.6 to 24.5	575 to 622



**Figure 1**

1. Fully extend the parts, and then pull sharply to separate the slide members.
2. Determine and mark where the center line of the slide will land on the drawer bottom and the face frame rail at the front of the cabinet.

3. Measure the distance between the cabinet side and the center line mark on the frame rail. Transfer this measurement and mark a vertical center line onto the back of the cabinet. Use a square to ensure the back of the slide is at 90° in relation to the front of the cabinet.



**Figure 2**

4. Install the back-mount bracket onto the back of the cabinet slide member.  
*Note: The bracket permits up to a 1<sup>3</sup>/<sub>4</sub>" adjustment for cabinet depth.*
5. Position the front of the cabinet slide member about 1/8" in from the edge of the cabinet rail and secure with a wood screw.
6. Use a level to ensure the back of the cabinet slide is in line with the front of the slide. Fasten the back-mount bracket onto the back of the cabinet with a screw.
7. Cut a notch in the drawer back as required. Insert a screw at the front of the drawer slide member on the drawer bottom. Fasten the back of the slide with a screw.
8. Tap the included nylon glides on top of the cabinet rails, one at each end (as shown in **Figure 2**).
9. Slide the drawer into the cabinet to reconnect the slide members.



[www.leevalley.com](http://www.leevalley.com)

1090 Morrison Drive      814 Proctor Avenue  
Ottawa ON K2H 1C2      Ogdensburg NY 13669-2205  
Canada      United States  
1-800-267-8761      1-800-267-8735