

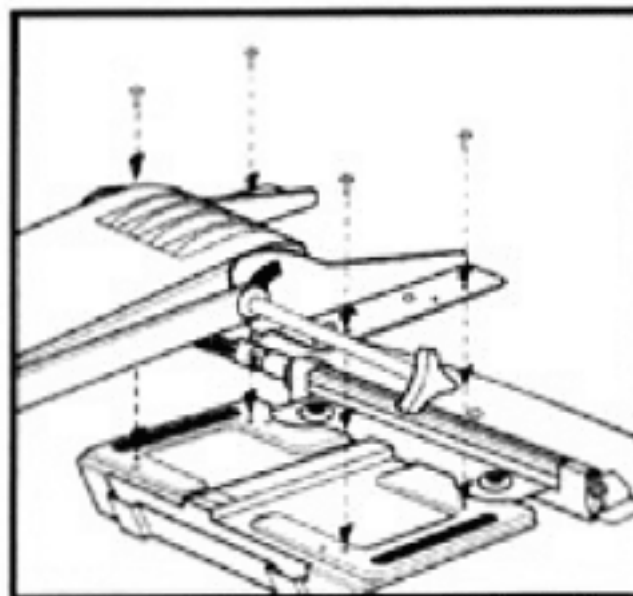
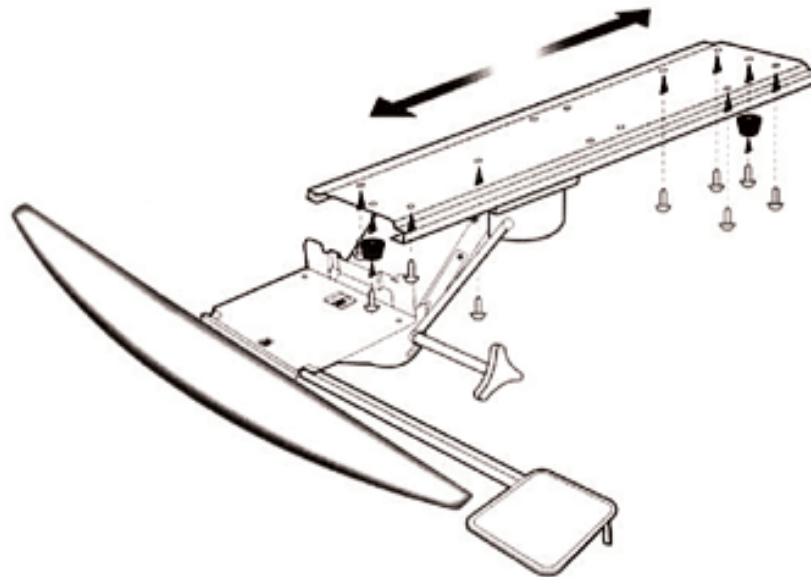
# Teflon® Keyboard Glide and Ball Bearing Slide

---

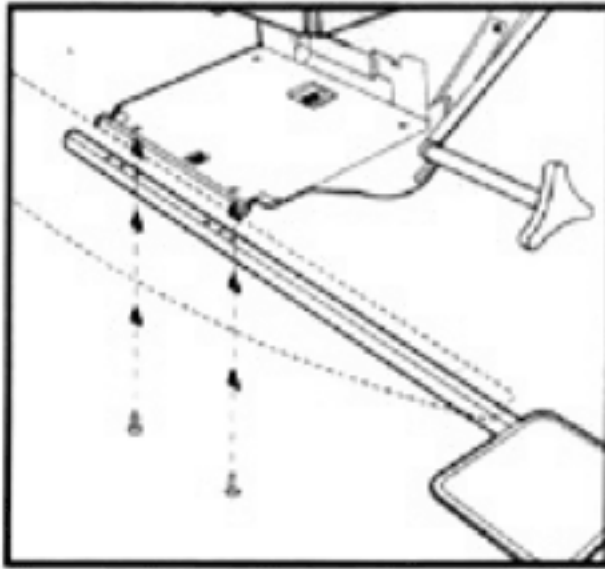
(12K87.01+)

*The following instructions were provided by the manufacturer.*

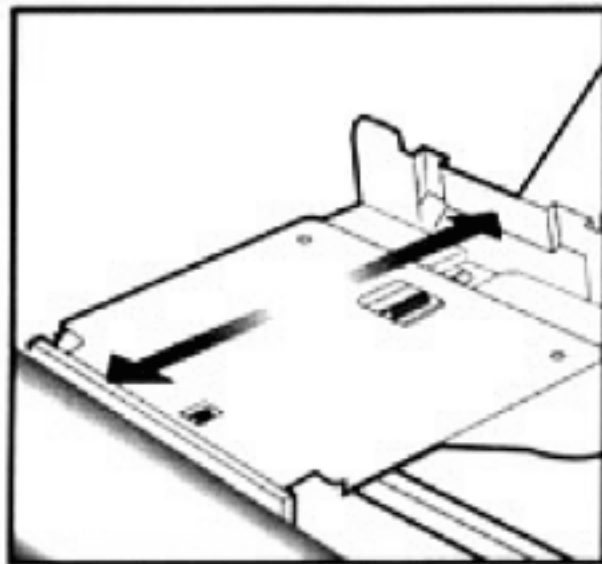
Place the slide under the desk and tighten up the screws according to the positions shown in the figure below.



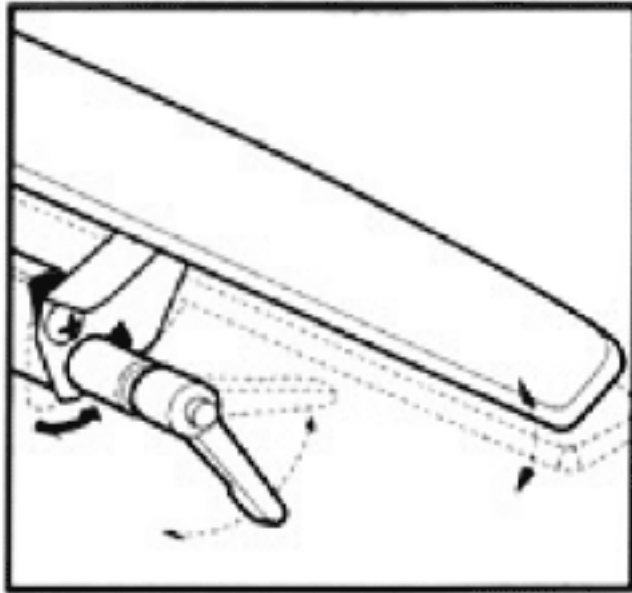
Put the metal panel upside down and four screw holes can be seen then align the hole positions of the L shaped mechanism with those on the metal panel and tighten up all the screws.



This figure shows the optional part. Place the plastic bushing between the four-angle metal pipe and the metal panel and align the hole positions to lock them up.



Pull out the metal panel and put in the keyboard.



After the adjusting knob is un-tightened, adjust the wrist rest until your desired angle is obtained, then tighten up.

---